

Toll free: 888-660-5892
email: info@truxxx.com

TIRE FITMENT ADVICE
The best way to ensure proper tire fitment is to install the kit before purchasing your wheels and tires. Always test fit tires and wheels before purchasing.

VEHICLE RIDE WARNING!
Trucks with lift or level kits installed have a higher center of gravity. Aggressive and sudden direction changes may cause a tip over.

905099 Toyota 4Runner Lift and Level Kit

This kit contains:
2 - Strut Caps
2 - Spring Spacers
1 - Hardware Pack
1 - Differential Drop Kit
Instructions
Warranty card
Stickers



Installation Tips

Always use caution handling ABS or wheel sensor wiring. Avoid tension of any kind on wiring harness as this may cause damage or failure.

1. Trucks are often not level side to side from the factory. Please measure before installation.
2. Re-torque all hardware to manufactures specifications
3. When aligning, to get the best tire wear use our supplied specifications. OEM specifications are for trucks with stock wheels and tires. Larger tires will wear differently.
4. All instructions are written with vehicle on a 2-post lift with tires removed.

Step 1

Loosen bolts attaching the lower control arm to frame. Remove lower strut bolt and remove bolts at lower ball joint allowing the lower control arm to swing down and out of the way. Remove upper strut mount nuts and remove strut.

Step 2

If the vehicle is equipped with X-REAS **do not** disconnect any of the lines attached to the strut. Be very careful not to damage the lines or connections. Install TRUXXX part as shown in Figure A.

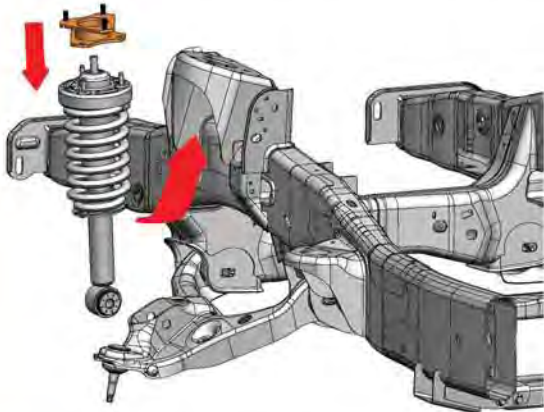


Figure A

Illustration is for reference only. Part dimensions will vary from kit to kit.

Special Note:

An assistant will be needed to lower the strut a few inches from the upper mount, and hold it in place while the strut cap is installed by the technician.

Step 3

Reinstall the strut assembly in reverse of dis-assembly.

*It may be necessary to use a pry bar to aid in the re-installation of the strut assembly, and a pit jack to raise the lower control arm. Verify that all hardware has been tightened to the proper torque specs.

Toll free: 888-660-5892
 email: info@truxxx.com

TIRE FITMENT ADVICE
 The best way to ensure proper tire fitment is to install the kit before purchasing your wheels and tires. Always test fit tires and wheels before purchasing.

VEHICLE RIDE WARNING!
 Trucks with lift or level kits installed have a higher center of gravity. Aggressive and sudden direction changes may cause a tip over.

905099 Toyota 4-runner TRUXXX Installation Instructions (cont,)

4x4 models: Install front Differential drop spacer kit

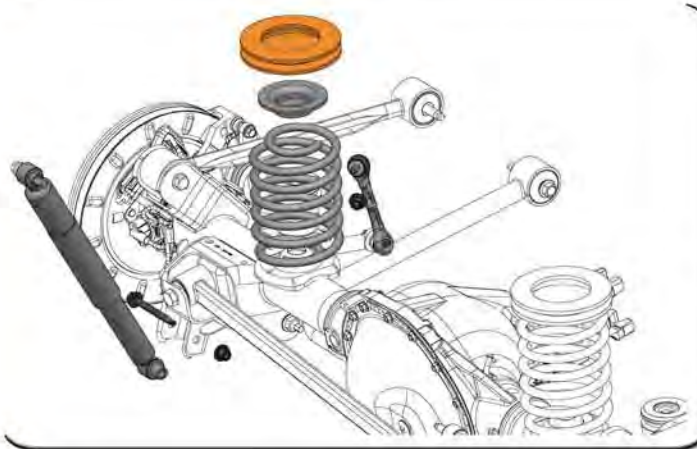
Step 4

To install differential drop, first remove the inspection cover. Support the differential with a jack, remove the 2 long front mounting bolts, Place the supplied spacers between the mount and frame, secure using supplied long bolts and nuts. Reinstall inspection cover.

Rear Installation

Step 5

Support the weight of the rear axle and remove one rear shock. Be careful of the brake hoses they will be at maximum extension while installing this piece. With the shock removed the spring should come out easily. Install the TRUXXX spring spacer into the vehicle as shown in Figure B using the supplied 10mm bolt. Fit the cone shaped bump stop onto the spacer and have an assistant use a pry bar to lever the spring back into place. Reinstall the shock and repeat on the other side.



Alignment notes:
 We recommend that a technician with experience doing alignments on lifted trucks perform the alignment. Large tires wear differently than OEM sized tires. Always do an alignment after changing tires on a vehicle.

	Left	Right
Caster (degrees)	1.5	1.75
Camber (degrees)	0	-1/4
Toe	1/32 inch toe in	
Special Tools	none	