

Toll free: 888-660-5892  
email: info@truxxx.com

**TIRE FITMENT ADVICE**  
The best way to ensure proper tire fitment is to install the kit before purchasing your wheels and tires. Always test fit tires and wheels before purchasing.

**VEHICLE RIDE WARNING!**  
Trucks with lift or level kits installed have a higher center of gravity. Aggressive and sudden direction changes may cause a tip over.

### 905091 Toyota 4Runner with X-REAS Level Kit

This kit contains:  
2 - Strut Caps  
1 - Hardware Pack  
1 - Differential Drop Kit  
Instructions  
Warranty card  
Stickers



### Installation Tips

**Always use caution handling ABS or wheel sensor wiring. Avoid tension of any kind on wiring harness as this may cause damage or failure.**

1. Trucks are often not level side to side from the factory. Please measure before installation.
2. Re-torque all hardware to manufactures specifications
3. When aligning, to get the best tire wear use our supplied specifications. OEM specifications are for trucks with stock wheels and tires. Larger tires will wear differently.
4. All instructions are written with vehicle on a 2-post lift with tires removed.

## Step 1

Loosen bolts attaching the lower control arm to frame. Remove lower strut bolt and remove bolts at lower ball joint allowing the lower control arm to swing down and out of the way. Remove upper strut mount nuts and remove strut.

## Step 2

If the vehicle is equipped with X-REAS **do not** disconnect any of the lines attached to the strut. Be very careful not to damage the lines or connections. Install TRUXXX part as shown in Figure A.

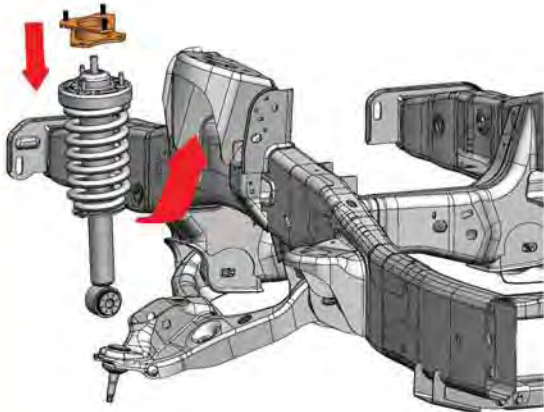


Figure A

Illustration is for reference only. Part dimensions will vary from kit to kit.

### Special Note:

An assistant will be needed to lower the strut a few inches from the upper mount, and hold it in place while the strut cap is installed by the technician.

## Step 3

Reinstall the strut assembly in reverse of dis-assembly.

\*It may be necessary to use a pry bar to aid in the re-installation of the strut assembly, and a pit jack to raise the lower control arm. Verify that all hardware has been tightened to the proper torque specs.

Toll free: 888-660-5892  
email: info@truxxx.com

**TIRE FITMENT ADVICE**  
The best way to ensure proper tire fitment is to install the kit before purchasing your wheels and tires. Always test fit tires and wheels before purchasing.

**VEHICLE RIDE WARNING!**  
Trucks with lift or level kits installed have a higher center of gravity. Aggressive and sudden direction changes may cause a tip over.

905091 Toyota 4-runner with X-REAS TRUXXX Installation Instructions ( cont,)

## 4x4 models: Install front Differential drop spacer kit

### Step 4

To install differential drop, first remove the inspection cover. Support the differential with a jack, remove the 2 long front mounting bolts, Place the supplied spacers between the mount and frame, secure using supplied long bolts and nuts. Reinstall inspection cover.

#### Alignment notes:

We recommend that a technician with experience doing alignments on lifted trucks perform the alignment. Large tires wear differently than OEM sized tires. Always do an alignment after changing tires on a vehicle.

	Left	Right
Caster (degrees)	1.5	1.75
Camber (degrees)	0	-.250
Toe	1/32 or .03125 inch toe in	
Special Tools	none	