

Toll free: 888-660-5892  
email: info@truxxx.com

**TIRE FITMENT ADVICE**

The best way to ensure proper tire fitment is to install the kit before purchasing your wheels and tires. Always test fit tires and wheels before purchasing.

**VEHICLE RIDE WARNING!**

Trucks with lift or level kits installed have a higher center of gravity. Aggressive and sudden direction changes may cause a tip over.

**705061 Nissan Frontier Level Kit**

This kit contains:

- 2 - Strut Caps
- 1 - Hardware Pack
- 2 - Bump Stop Nuts
- 2 - Cone Bump Stops

Instructions  
Warranty Card  
Stickers



**Installation Tips**

**Always use caution handling ABS or wheel sensor wiring. Avoid tension of any kind on wiring harness as this may cause damage or failure.**

1. Trucks are often not level side to side from the factory. Please measure before installation.
2. Re-torque all hardware to manufactures specifications
3. When aligning, to get the best tire wear use our supplied specifications. OEM specifications are for trucks with stock wheels and tires. Larger tires will wear differently.
4. All instructions are written with vehicle on a 2-post lift with tires removed.

**Step 1**

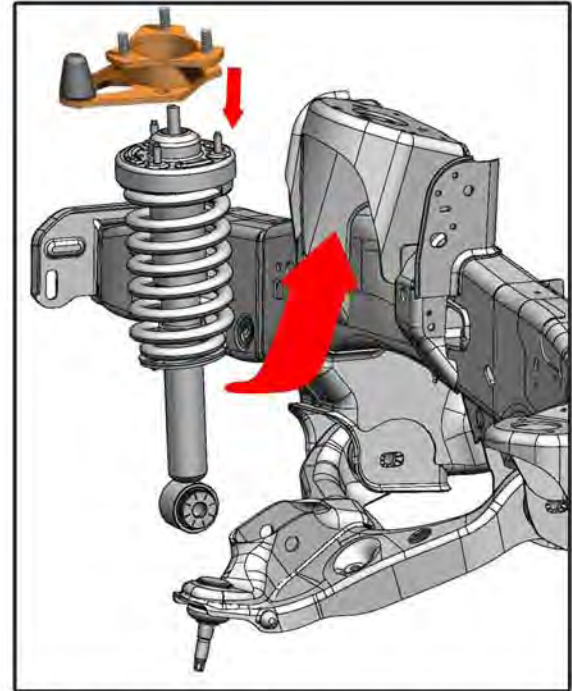
Disconnect sway bar links and upper ball joint nut. Support spindle assembly and use caution with ABS wires so they do not get damaged. Separate upper ball joint. Remove lower strut bolt, upper strut mount nuts and remove strut.

**Step 2**

Install TRUXXX spacer on the strut as shown in Figure A. Note: When installed, the bump stop will fit next to the upper control arm ball joint.

**Step 3**

Note the twisted shape of the TRUXXX cap, the strut will be rotated 180 degrees when reinstalled in the truck. Reinstall the strut assembly in reverse of disassembly. It may be necessary to use a pry bar to aid in the re-installation of the strut assembly, and a pit jack to raise the lower control arm. Verify that all hardware has been tightened to the proper torque specs.



**Figure A:** Illustration is for reference only. Part dimensions will vary from kit to kit.

**Alignment notes:**

We recommend that a technician with experience doing alignments on lifted trucks perform the alignment. Large tires wear differently than OEM sized tires. Always do an alignment after changing tires on a vehicle.

	Left	Right
Caster (degrees)	1	1.5
Camber (degrees)	0	-1/4 or -.25
Toe	1/16 or .0625 toe in	
Special Tools	needs cam kit	