



LIFT AND LEVEL KITS

**SAFETY WARNING!**  
Always use the correct tools, and wear safety goggles. We **STRONGLY** recommend installation by a licensed mechanic on a properly secured locking lift.

Truxxx Manufacturing LLC  
810 E 19th Street, Tucson AZ 85719

Toll free: 888-660-5892  
email: info@truxxx.com

**TIRE FITMENT ADVICE**  
The best way to ensure proper tire fitment is to install the kit before purchasing your wheels and tires. Always test fit tires and wheels before purchasing.

**VEHICLE RIDE WARNING!**  
Trucks with lift or level kits installed have a higher center of gravity. Aggressive and sudden direction changes may cause a tip over.

**601012 Jeep Wrangler JK Lift and Level Kit**

This kit contains:  
2 - Front Spring Spacers  
2 - Rear Spring Spacers  
Instructions  
Warranty Card  
Stickers



**Installation Tips**

**Always use caution handling ABS or wheel sensor wiring. Avoid tension of any kind on wiring harness as this may cause damage or failure.**

1. Trucks are often not level side to side from the factory. Please measure before installation.
2. Re-torque all hardware to manufactures specifications
3. When aligning, to get the best tire wear use our supplied specifications. OEM specifications are for trucks with stock wheels and tires. Larger tires will wear differently.
4. All instructions are written with vehicle on a 2-post lift with tires removed.

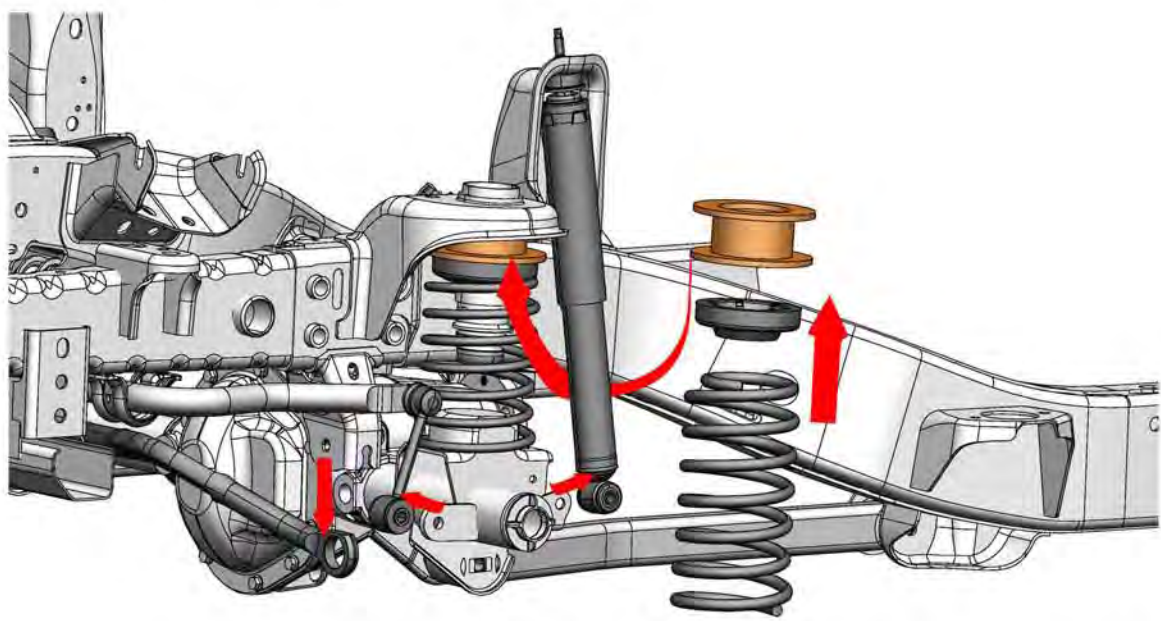
**Front Installation**

**Step 1**

Support differential with jack, disconnect track bar at steering box side. Disconnect brake line bracket at frame and disconnect lower sway bar nut and remove lower shock bolt. Lower jack and remove spring.

**Step 2**

Position TRUXXX spacer on top of insulator on spring and reinstall. Reconnect all disassembled components with the exception of track bar. Repeat procedure on opposite side. Reconnect the track bar.



Installation Instructions continued on reverse



Toll free: 888-660-5892  
email: info@truxxx.com

**TIRE FITMENT ADVICE**  
The best way to ensure proper tire fitment is to install the kit before purchasing your wheels and tires. Always test fit tires and wheels before purchasing.

**VEHICLE RIDE WARNING!**  
Trucks with lift or level kits installed have a higher center of gravity. Aggressive and sudden direction changes may cause a tip over.

## 601012 Installation Instructions continued

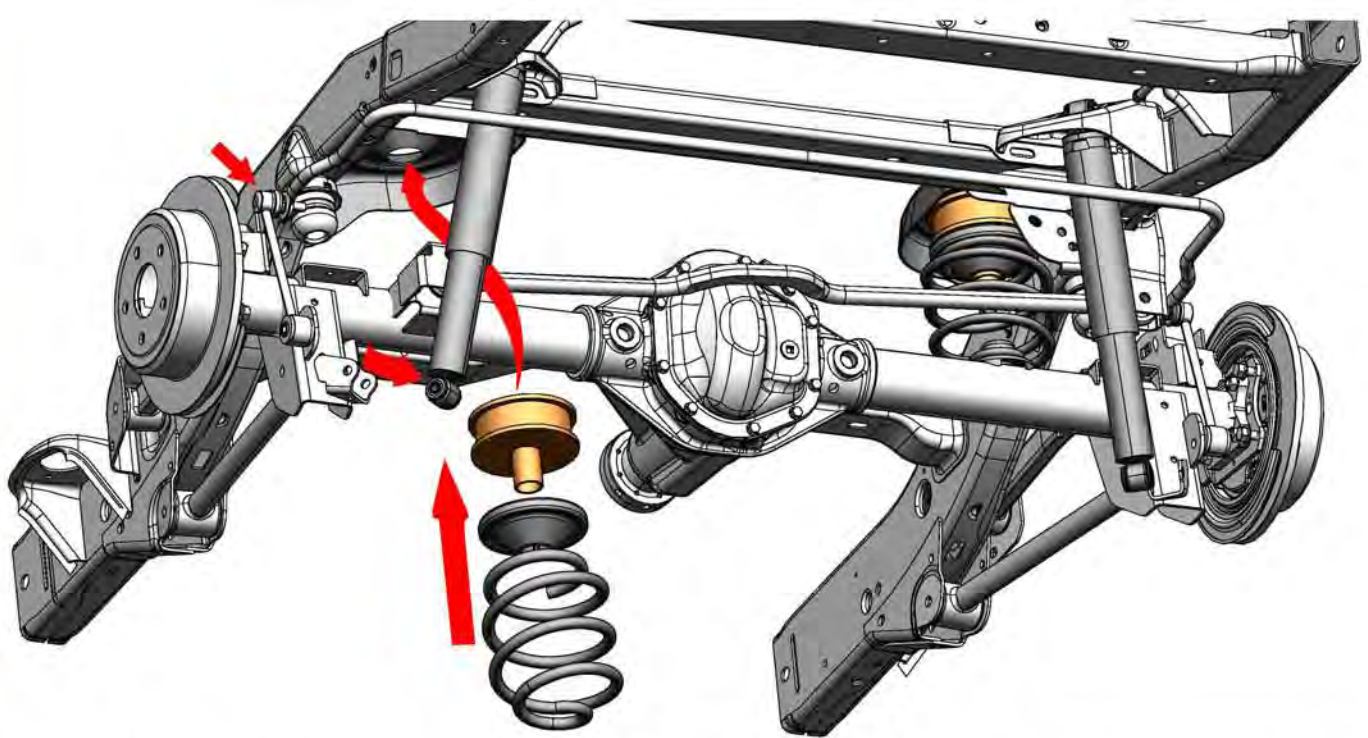
# Rear Installation

### Step 3

Support differential with jack. Starting on one side, disconnect brake line and ABS wiring support at frame, disconnect upper sway bar nut and remove lower shock bolt. Lower jack and remove spring.

### Step 4

Position TRUXXX spacer over insulator on top of spring (see picture). Reinstall spring and reconnect all components.



**Alignment notes:**

We recommend that a technician with experience doing alignments on lifted trucks perform the alignment. Large tires wear differently than OEM sized tires. Always do an alignment after changing tires on a vehicle.

	Left	Right
Caster (degrees)	+3.5	+3.5
Camber (degrees)	Fixed	Fixed
Toe	1/16 or .0625 toe in	
Special Tools	none	