

Toll free: 888-660-5892
email: info@truxxx.com

TIRE FITMENT ADVICE
The best way to ensure proper tire fitment is to install the kit before purchasing your wheels and tires. Always test fit tires and wheels before purchasing.

VEHICLE RIDE WARNING!
Trucks with lift or level kits installed have a higher center of gravity. Aggressive and sudden direction changes may cause a tip over.

102010 Ford Explorer and Sport Trac Leveling Kit

- This kit contains:
- 2 - Strut Caps (front)
- 2 - Strut Caps (rear)
- 1 - Hardware Pack
- Instructions
- Warranty Card
- Stickers



Installation Tips

Always use caution handling ABS or wheel sensor wiring. Avoid tension of any kind on wiring harness as this may cause damage or failure.

1. Trucks are often not level side to side from the factory. Please measure before installation.
2. Re-torque all hardware to manufactures specifications
3. When aligning, to get the best tire wear use our supplied specifications. OEM specifications are for trucks with stock wheels and tires. Larger tires will wear differently.
4. All instructions are written with vehicle on a 2-post lift with tires removed.

Front Installation

Step 1

Disconnect sway bar link from control arm and separate tie rod end. On 4x4 models remove axle nut at hub. Support spindle assembly. Use caution with any ABS wiring to prevent damage. Separate upper ball joint. Remove lower strut mounting bolt and upper strut mount nuts and remove strut.

Step 2

Install TRUXXX spacer on the strut as shown in Figure A. Note the twisted shape of the TRUXXX cap, the strut will be rotated 180 degrees when reinstalled in the truck.

Step 3

Reinstall the strut assembly in reverse of dis-assembly. It may be necessary to use a pry bar to aid in the re-installation of the strut assembly. Use a pit jack to raise the lower control arm and re-connect ball joint. Note: a tall jack may be needed under the rear bumper to steady the truck on the lift. Verify that all hardware has been tightened to the proper torque specs.

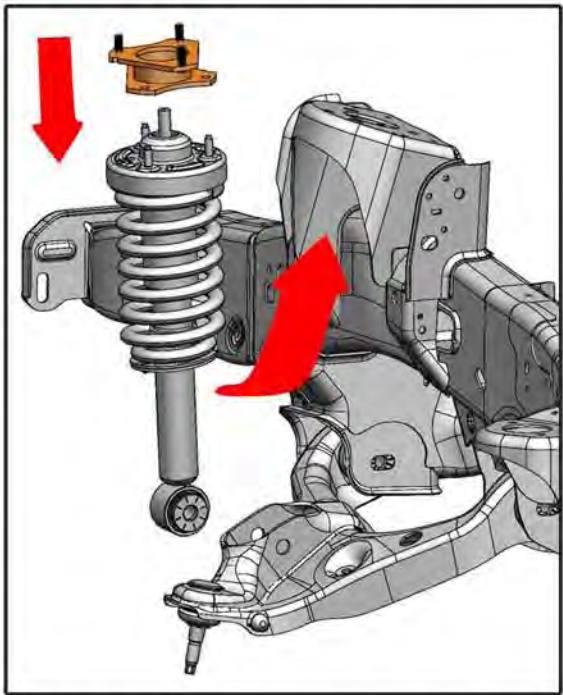


Figure A: Illustration is for reference only. Part dimensions will vary from kit to kit.

Toll free: 888-660-5892
email: info@truxxx.com

TIRE FITMENT ADVICE
The best way to ensure proper tire fitment is to install the kit before purchasing your wheels and tires. Always test fit tires and wheels before purchasing.

VEHICLE RIDE WARNING!
Trucks with lift or level kits installed have a higher center of gravity. Aggressive and sudden direction changes may cause a tip over.

102010 Installation Instructions continued

Rear Installation

Step 4

Use caution with any ABS wiring to prevent damage. Disconnect tie rod end from spindle assembly, and loosen lower control arm bolts at frame so spindle assembly can swing down and out of the way. Remove lower strut mounting bolt and upper strut mount nuts and remove strut.

Step 5

Install TRUXXX spacer on the strut. Reinstall the strut assembly in reverse of dis-assembly. A pry bar may aid in installation of the strut. A pit jack may be needed to raise the lower control arm and re-connect ball joint. Verify that all hardware has been tightened to the proper torque specs.

Alignment notes:

We recommend that a technician with experience doing alignments on lifted trucks perform the alignment. Large tires wear differently than OEM sized tires. Always do an alignment after changing tires on a vehicle.

	Left	Right
Caster (degrees)	3	3.5
Camber (degrees)	0	-1/4 or -.25
Toe	1/32" or .03125 toe in	
Special Tools	none	