

OWNER'S MANUAL

Sentry & Sentry CT



HARD ROLL-UP TRUCK BED COVER

SAFETY INSTRUCTIONS

1. Do not place objects on or against cover or framework.
2. Do not tie cargo to truck bed cover framework.
3. **Never** allow children or pets to occupy pickup box while cover is closed.
4. Cover is not airtight. Special care is required to keep cargo clean and dry.
5. Fabric cover won't prevent theft of contents inside truck box.
6. Cover must be rolled fully open and secured with retainer straps when towing vehicle backwards.
7. **DO NOT** stow rolled cover against cab window.
8. **DO NOT ATTEMPT TO DRIVE WITH THE COVER IN THE PARTIALLY OPEN POSITION!**
9. **A FULLY ROLLED OPEN COVER MUST ALWAYS BE SECURED WITH RETAINER STRAPS.**
10. **DO NOT** operate vehicle with objects on top of the cover.

OWNER/USER RESPONSIBILITIES

It is the responsibility of the owner/user to read this manual and comply with the operating procedures. The owner/user is also responsible for inspecting the TruXedo® cover, and for having parts repaired or replaced when worn or damaged.

Failure to follow safety instructions and warning labels could result in failure of your cover system and/or personal injury.

MESSAGES TO INSTALLER

- Always wear safety glasses and/or other necessary protective equipment when installing your TruXedo®.
- These instructions are complete for most pickup models. Additional instructions are included, if required for your truck. Please read entire manual before installing your TruXedo®.

IMPORTANT OPERATING TIPS

- Truck bed cover must be free of foreign material including snow and ice before rolling cover open or closed.
- It is recommended to operate vehicle with cover rolled closed and latched for optimal fuel economy.
- Prolonged cold weather will make cover fabric stiff. Move vehicle with cover unrolled and latched into sun or indoors to warm the top surface.
- If cover has been stored in a rolled up state for a long period of time it may take few minutes for the cover to lay flat. The fabric material needs to relax to a flat state, this is normal.
- **DO NOT** roll cover into rear cab window. **DO NOT** stow against cab.

COVER CARE AND MAINTENANCE

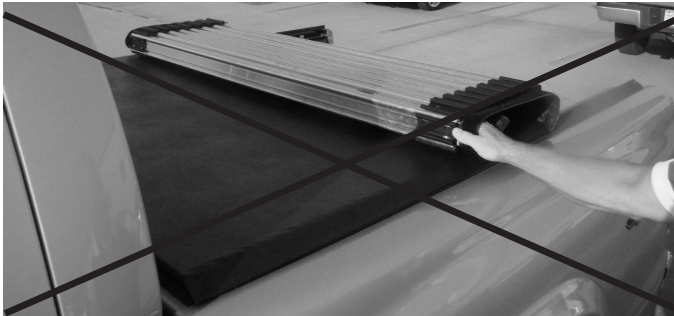
1. Vinyl cover can be hand washed with mild soap and water or cleaned in a car wash. Thoroughly rinse cover to remove any soap residue. **Never use vinyl conditioners that contain silicon, petroleum, or citrus based products on your truck bed cover as they may crack and shrink the vinyl top surface.**
2. It is recommended that you periodically check that the cover is securely attached to your truck bed. Inspect the clamps and front header guide slides to ensure they were properly installed and have not come loose during operation.
3. It is recommended that you periodically inspect and service the rear latch closures. Clean away any excess dirt or grime and lubricate with silicone spray. Ensure the latches move freely in and out to properly engage the side rail and provide performance with optimal security. Be careful not to overspray the cover.

IMPORTANT INSTALLATION TIPS

- Modification of accessories such as bed liners (including spray in liners) may be necessary allowing the truck bed cover side rails to fit properly between the front bulkhead and tailgate of the truck bed.
- When placing the rolled up cover assembly on the side rails and installing it to the side rails (see step 7) the weight of the cover assembly may tilt or flex the rails downward. Simply push up on the rail when securing the header guides to the rail (see step 8).
- After the initial installation leave cover closed and latched for a 24 hour period. This will insure that the fabric has taken a complete set to the metal substrate.

ADDITIONAL IMPORTANT OPERATING TIPS

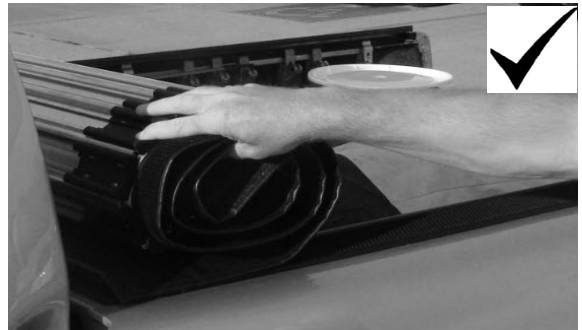
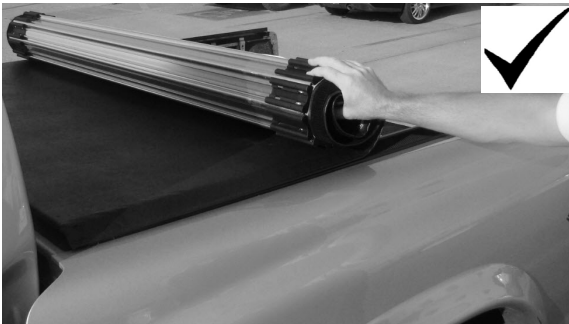
INCORRECT METHOD Of How To Open Cover To The Front.



****Do not slide a partially opened cover across the cover's surface.****

****Do not slide cargo across the cover's surface.****

CORRECT METHOD Of How To Open Cover To The Front.



ADDITIONAL IMPORTANT SAFETY TIPS

CAUTION HIGH TEMPERATURE

TOP SURFACE AND BOTTOM SURFACE CAN BECOME EXTREMELY HOT TO TOUCH WHEN EXPOSED TO BRIGHT SUN AND OR HEAT.
NEVER ALLOW CHILDREN OR PETS TO SIT ON COVER WHEN CLOSED OR ROLLED TO THE CAB.

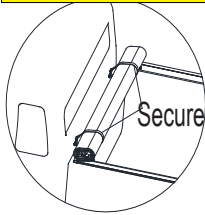


CAUTION

ROLL COVER TIGHT AND SECURE BOTH RETAINER STRAPS.
DO NOT STOW COVER AGAINST CAB WINDOW.

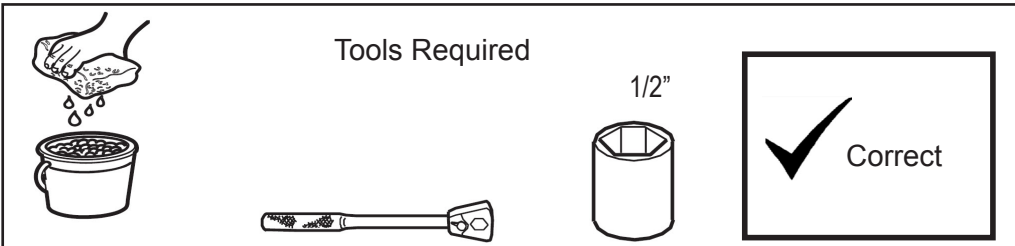
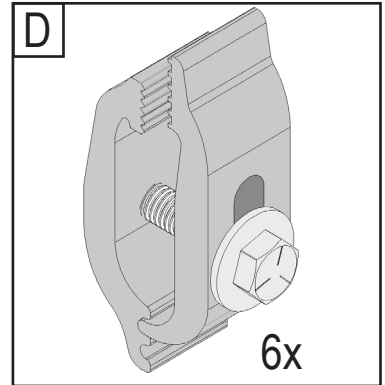
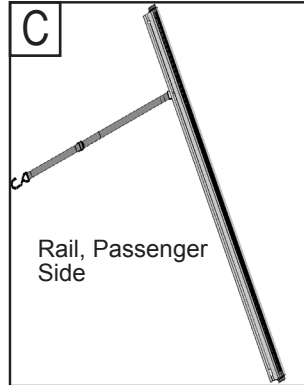
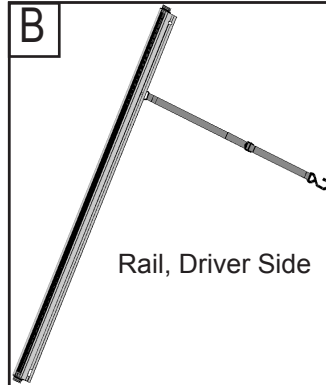
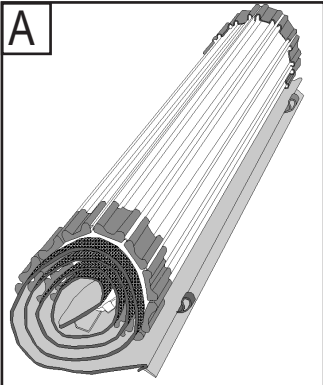


CAUTION

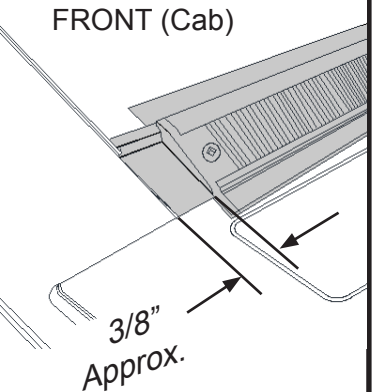
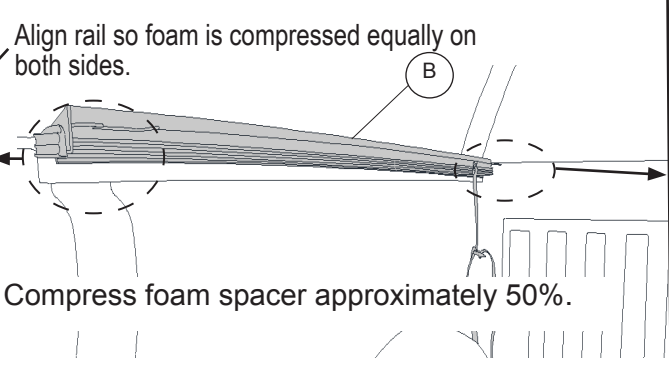
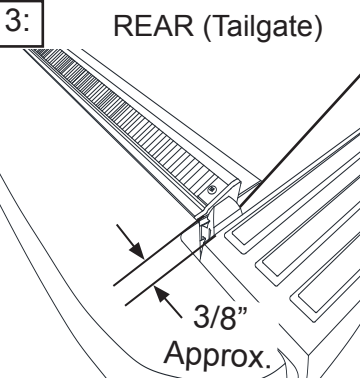
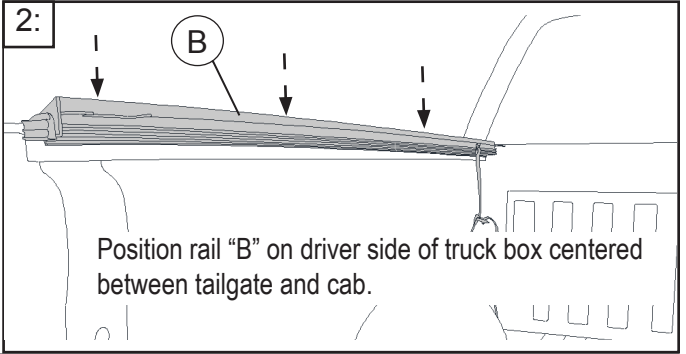
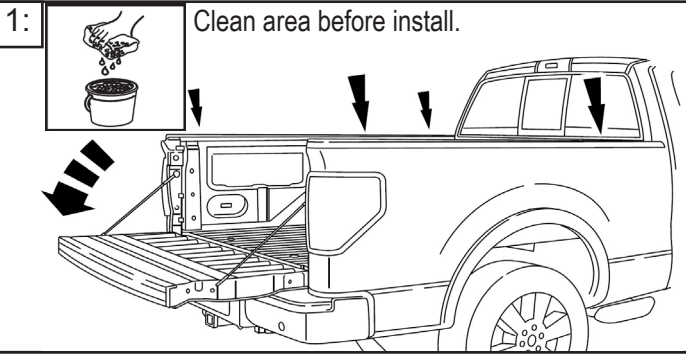


Before driving with cover open, **BOTH STRAPS MUST BE SECURED TO RETAINING LOOPS.** Failure to do so could cause accidental release of the cover, resulting in personal injury or property damage.

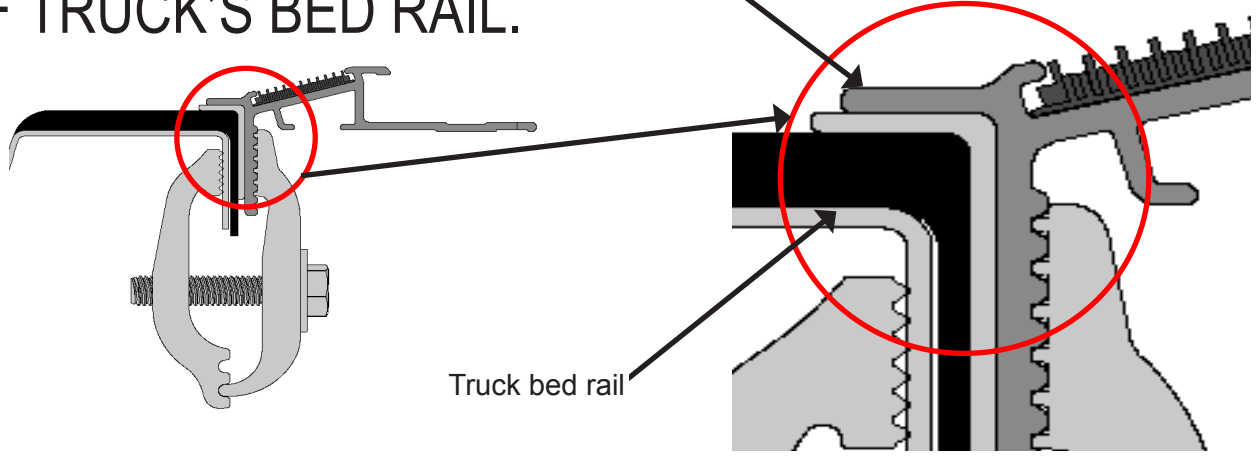
Components



INSTALLATION

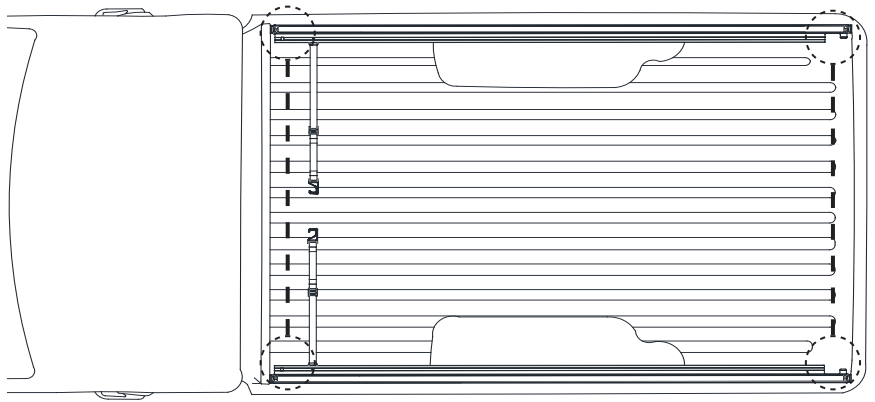


ATTENTION RAIL SITS ON TOP OF TRUCK'S BED RAIL.



Rail Sits on Top of Bed Rail

4: To ensure cover is square for proper operation ensure holes and notches on the driver and passenger rails are lined up across from each other.



5:

WARNING
Tighten clamps securely on side rails before driving vehicle.

It is recommended that rails be mounted level. Position clamps high to start and reposition lower, as needed, to achieve rails that are mounted level.

SEE IMPORTANT INSTALLATION TIPS

6: Repeat steps 2-5 on passenger side for item C. When finished proceed to step 7.

7:

Note: The rail may need to be forced upward slightly to allow the screw head to drop in the slot.

8:

Note: The rail may need to be forced upward slightly to allow the header guides to slide.

Secure rolled cover to side rails. Slide header guides under the rail until CLICK is sounded.

LEFT

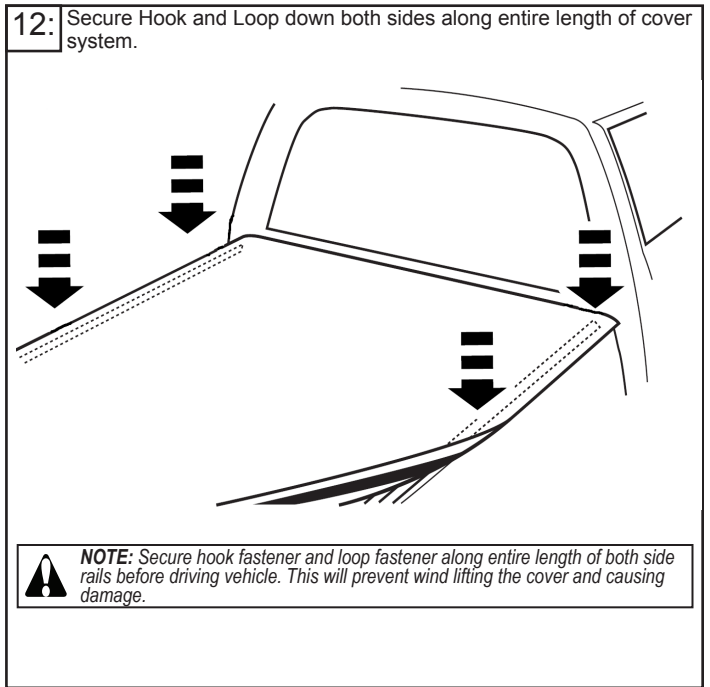
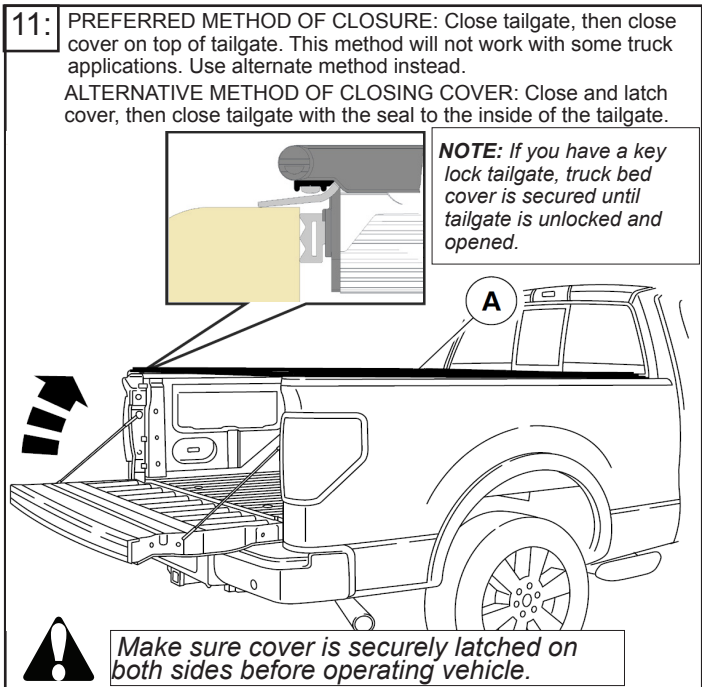
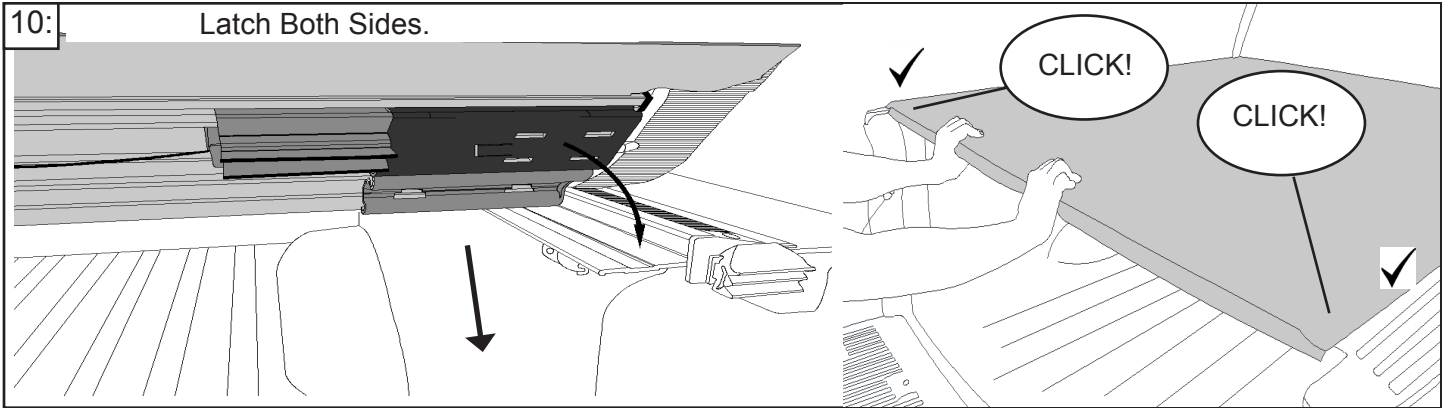
RIGHT

9: Unroll cover to the tailgate.

CAUTION
PINCH POINTS CAN CAUSE SERIOUS PERSONAL INJURY

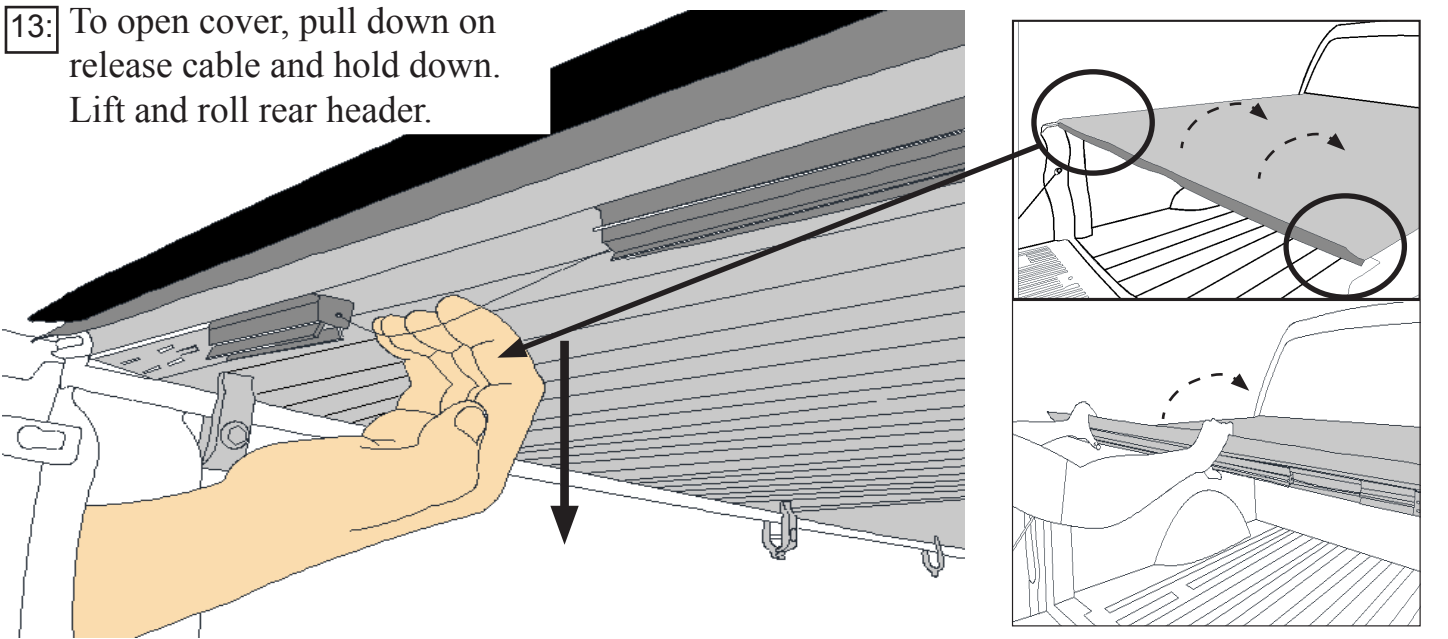
CAUTION HIGH TEMPERATURE
IN BRIGHT SUN AND OR HEAT

Cable latch Release



ATTENTION!

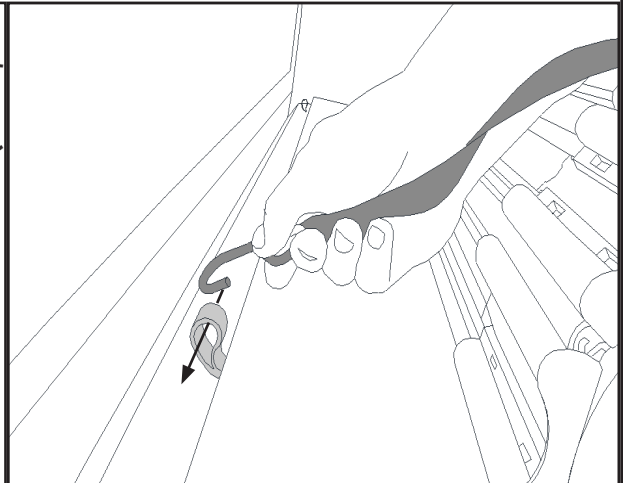
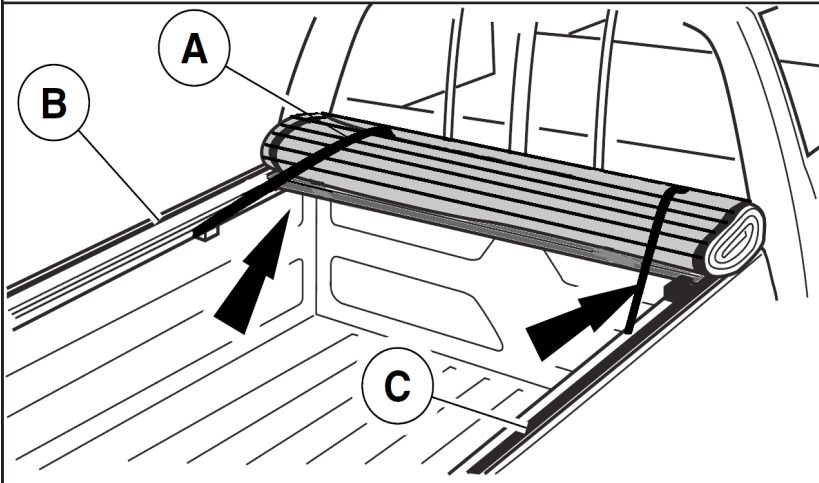
After the initial installation leave cover closed and latched for a 24 hour period. This will insure that the fabric has taken a complete set to the metal substrate.



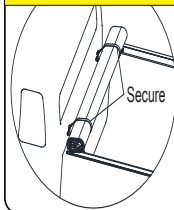
14:

CAUTION

ROLL COVER TIGHT AND SECURE BOTH RETAINER STRAPS. **DO NOT** STOW COVER AGAINST CAB WINDOW.

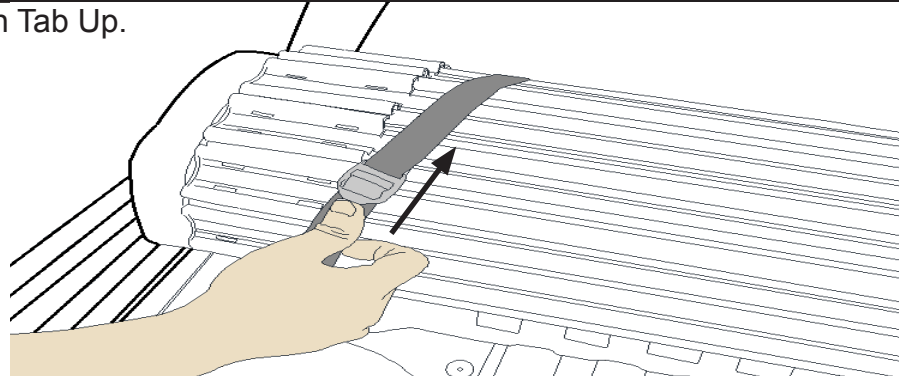


CAUTION



Before driving with cover open, **BOTH STRAPS MUST BE SECURED TO RETAINING LOOPS.** Failure to do so could cause accidental release of the cover, resulting in personal injury or property damage.

15: To Release Strap Push Tab Up.



NOTICE: Ice buildup within hinge section can occur if cover is stowed in open position. To prevent potential damage, close cover during winter precipitation.

TROUBLESHOOTING

COVER ASSEMBLY WILL NOT ATTACH TO SIDE RAILS DURING INSTALLATION:

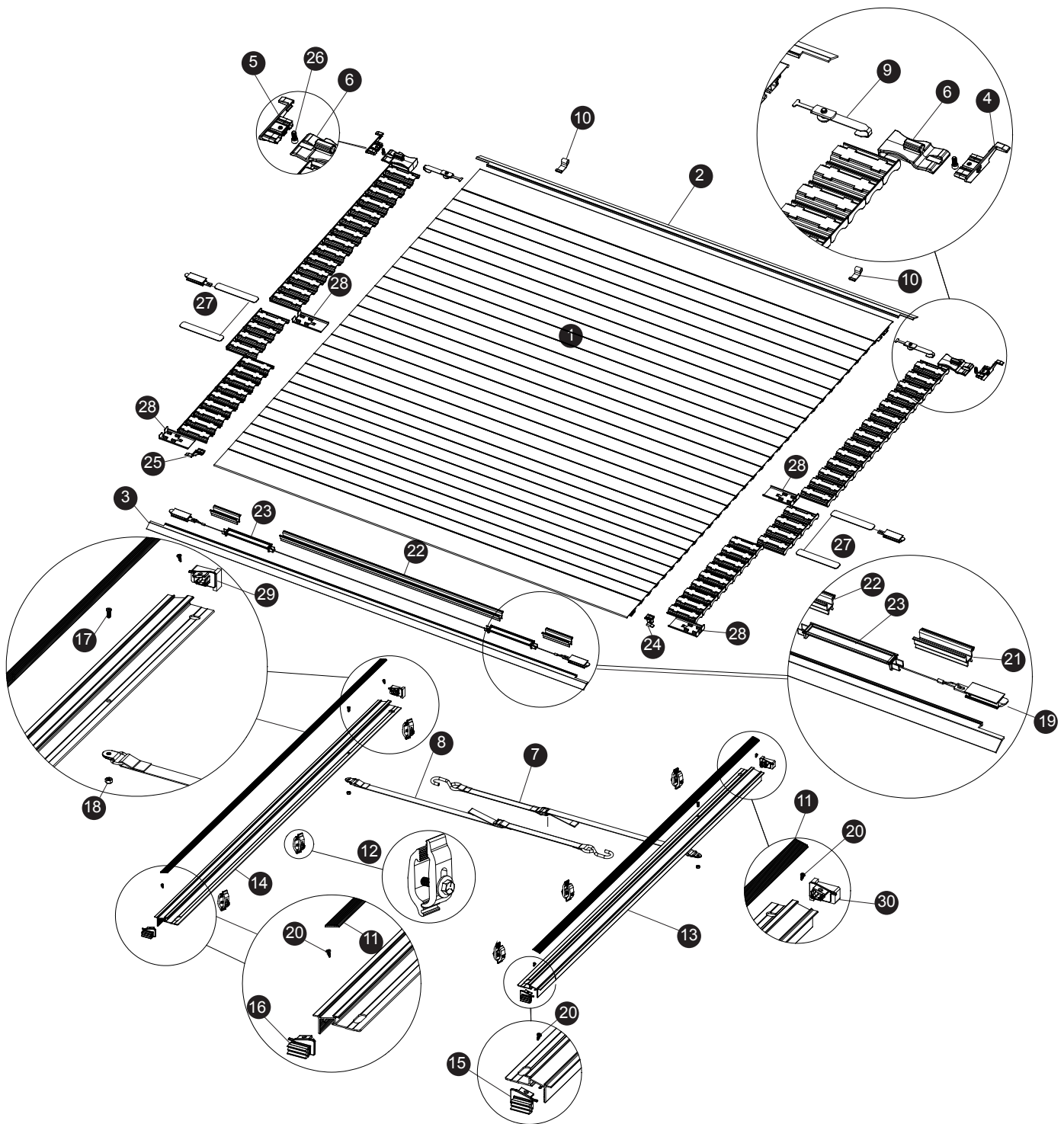
1. Check side rails to make sure they are level (See Step 5, clamp installation).
2. The rolled up cover is heavy which may be flexing the rails downward. Push front of rail up slightly to allow the screw head to fall in the slot and the header guide to slide freely into the secured location (See notes in steps 5,6, and 7).
3. If rear header doesn't latch correctly check side rail installation Step 3.

HEADER WILL NOT LATCH:

1. Check side rails to make sure they are level (See Step 5, clamp installation).
2. Make sure the rear header seal is not caught between side rail & rear header.
3. If rear header doesn't latch correctly check side rail installation Step 3.
4. Check to make sure side rails are both equally spaced front to rear (See steps 3 & 4).
5. Make sure both latches are functioning properly. Clean any debris that may be impeding latches, see COVER CARE AND MAINTENANCE on page 1.
6. Close cover first then tailgate (see alternate closing method in step 11).

COVER IS HARD TO ROLL OPEN OR CLOSED:

1. Truck bed cover **MUST** be free of foreign material including snow and ice before rolling cover.
2. Prolong cold weather will make cover fabric stiff. Move cover into sun or indoors to warm the top surface.
3. If cover has been stored in the rolled up state for a long period of time it may take few minutes for the cover to lay flat. The fabric material needs to relax to a flat state, this is normal.



SENTRY / SENTRY CT REPLACEMENT PARTS

1	*	Sentry/Sentry CT Replacement Cover	12	1705391	Aluminum Clamp Assembly	22	*	Cable Cover
2	*	Header Seal, Front	13	*	Side Rail, Passenger's Side	23	1115822	Cable Guard
3	*	Header Seal, Rear	14	*	Side Rail, Driver's Side	24	1705826	Rear Header End Plug (Passenger)
4	1705828	Front Header End Plug (Passenger)	15	1705851	SIDE RAIL END PLUG ASSY_RH	25	1705825	Rear Header End Plug (Driver)
5	1705829	Front Header End Plug (Driver)	16	1705852	SIDE RAIL END PLUG ASSY_LH	26	1704689	Machine Screw 1/4-20 X 9/16
6	1704707	Header Guide	17	1705415	Cap Screw 10-24 X 1/2	27	*	Security Latch Assy
7	1117892	Retainer Hook Strap (Passenger)	18	1703762	Hex Nut 10-24	28	1705929	Latch Cover
8	1117893	Retainer Hook Strap (Driver)	19	*	Latch System	29	1118243	Side Rail End Plug_RH Foam Seal
9	1117594	Header Guide Retainer	20	1705629	Self Drill Screw 6-20 X 3/8	30	1118244	Side Rail End Plug_LH Foam Seal
10	1705806	Extruded Retainer Loop	21	1118225	Cable Cover 3.75"			
11	*	Hook and Loop Fasteners						