

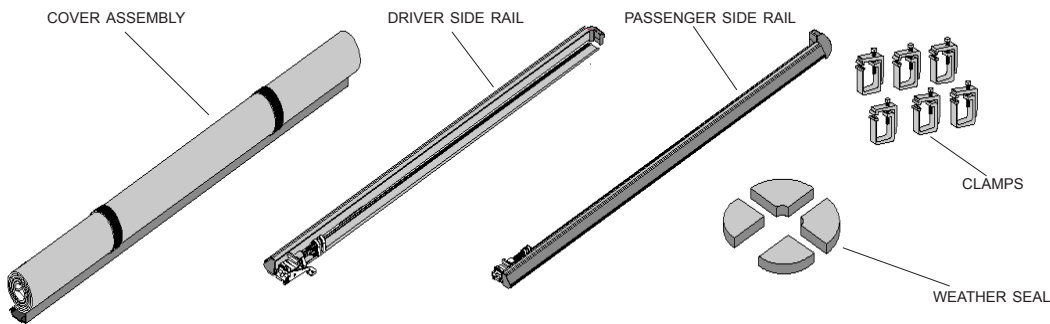
# TRUXPORT®

Owners Manual

**READ INSTRUCTIONS - Failure to assemble cover properly will void warranty.**



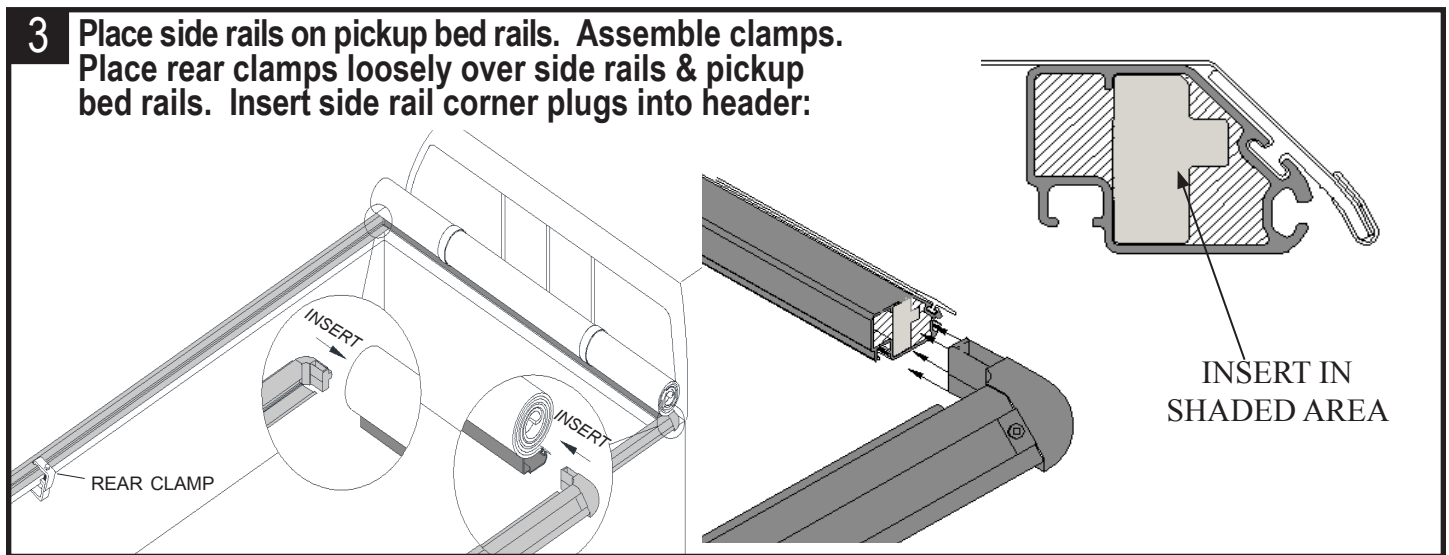
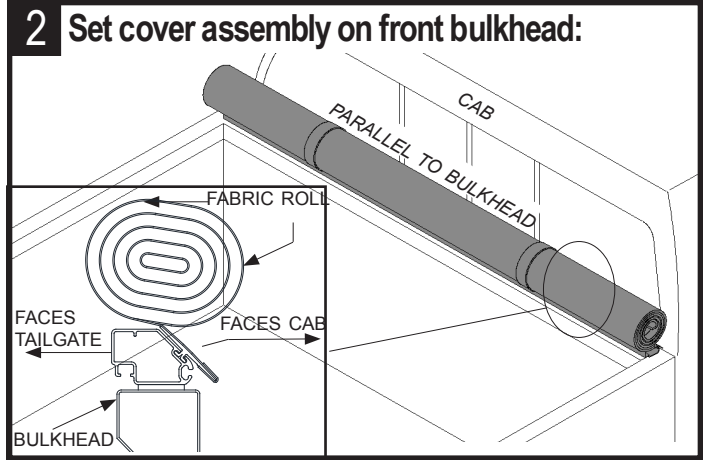
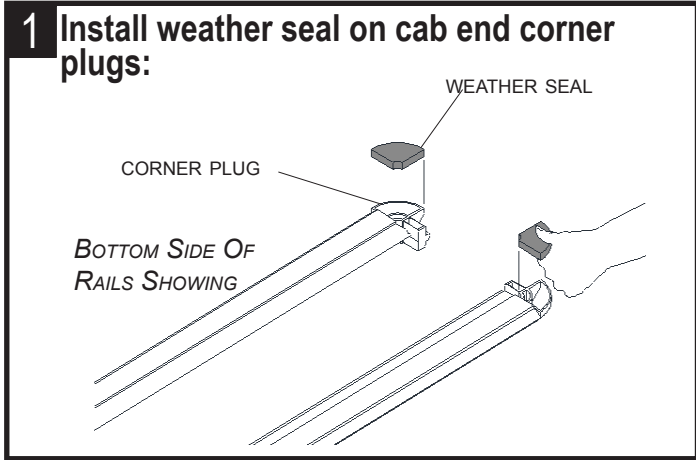
Specify length or make and model of vehicle to inquire about headers, cover, side rails, or bows.



**Tools Required:**  
1/2" Socket

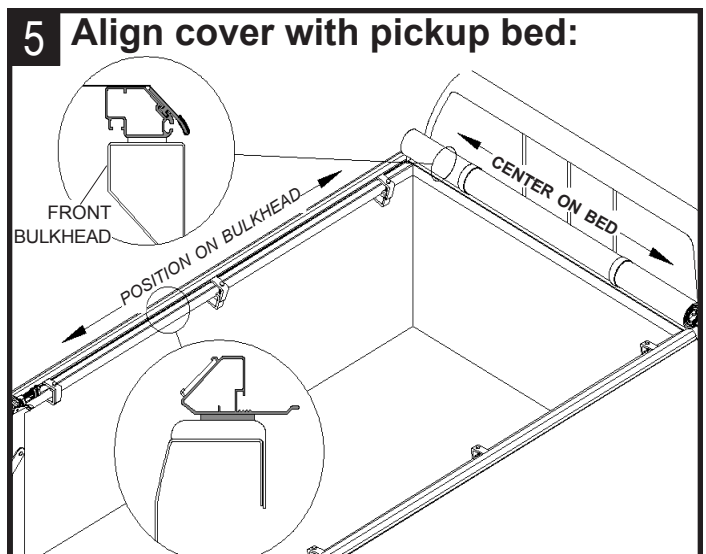
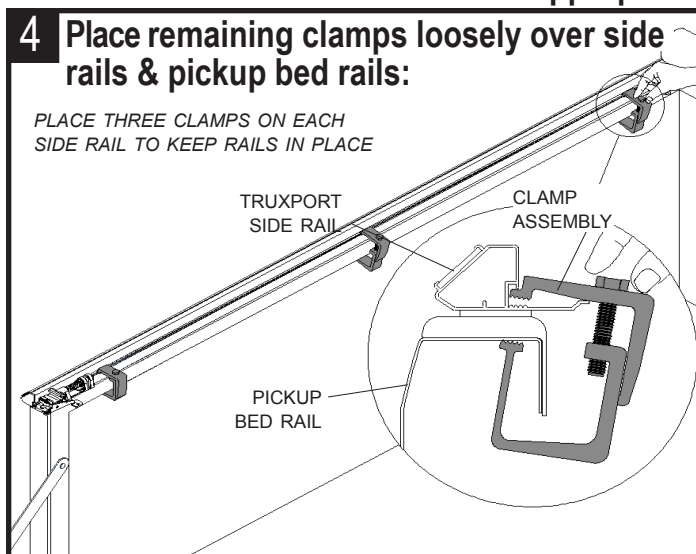


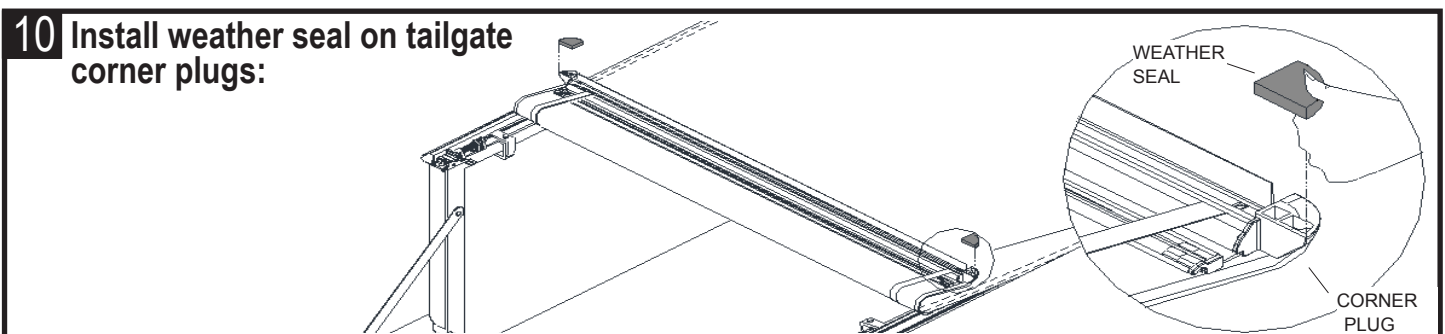
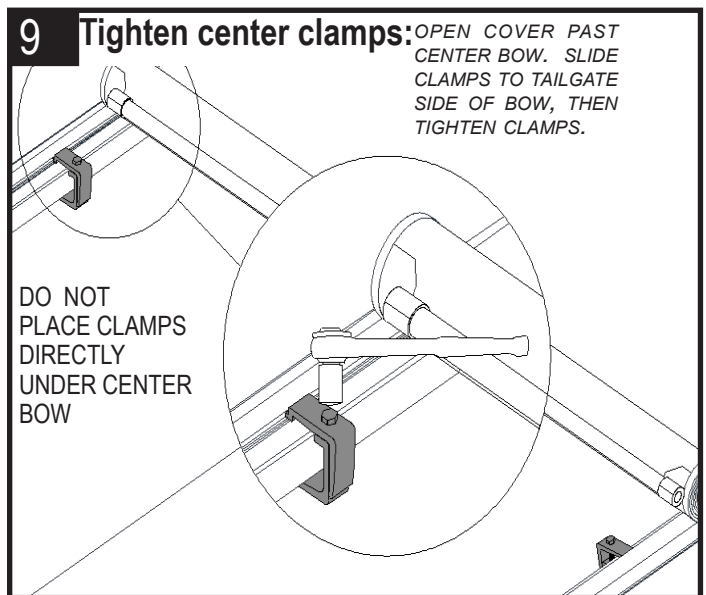
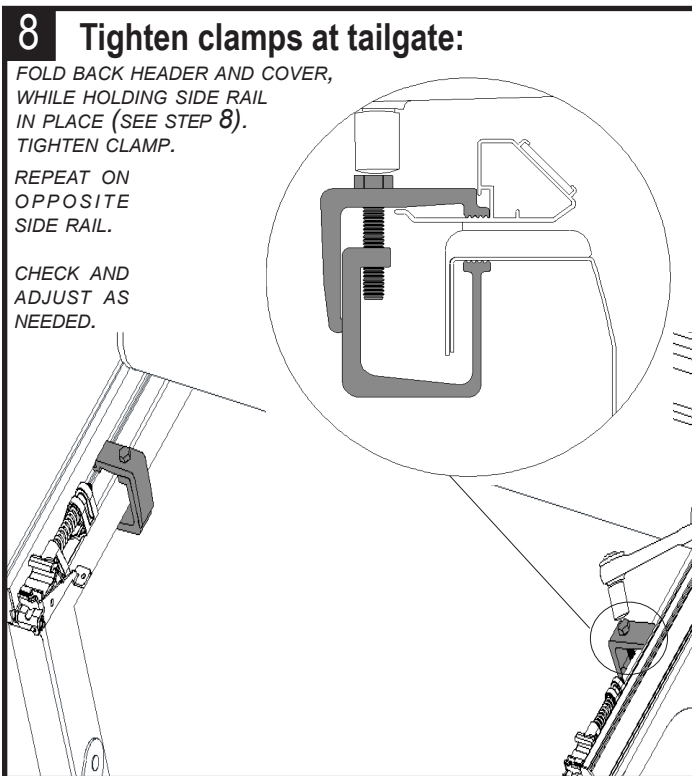
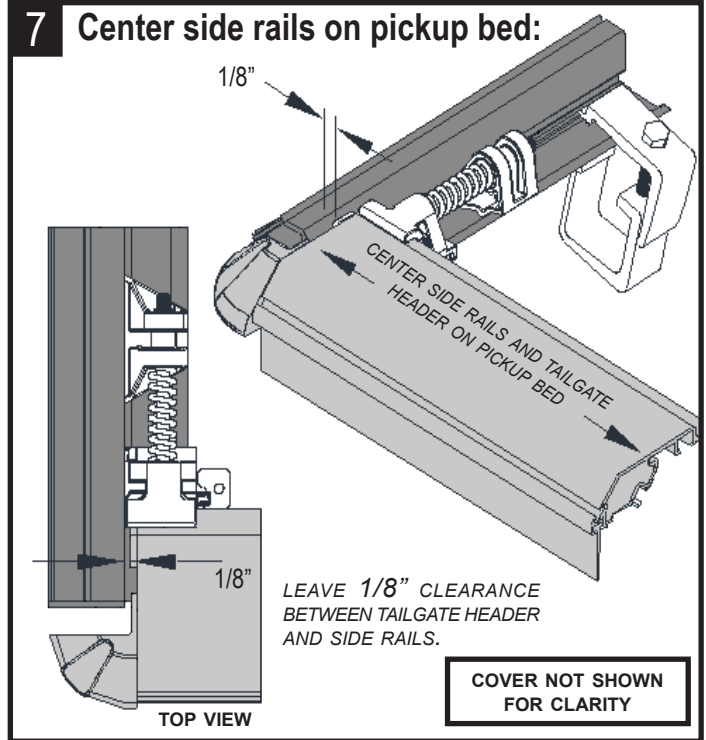
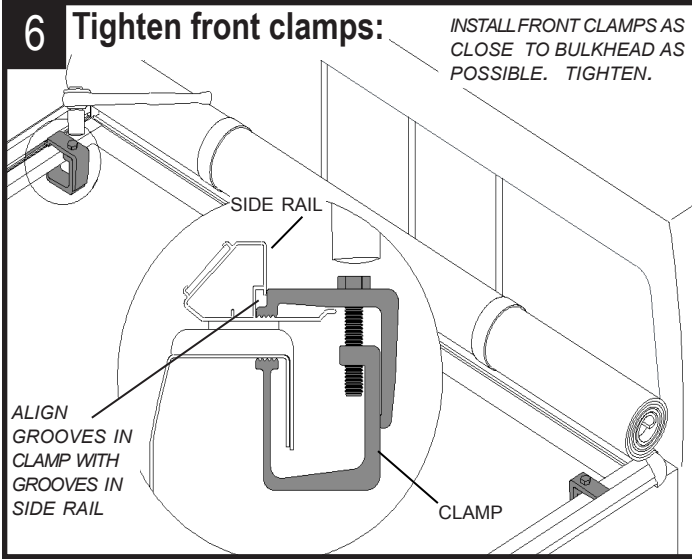
TruXedo, Inc.



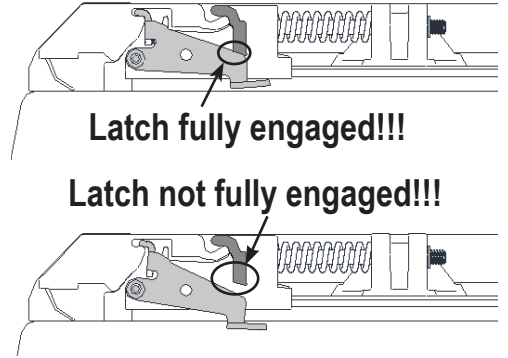
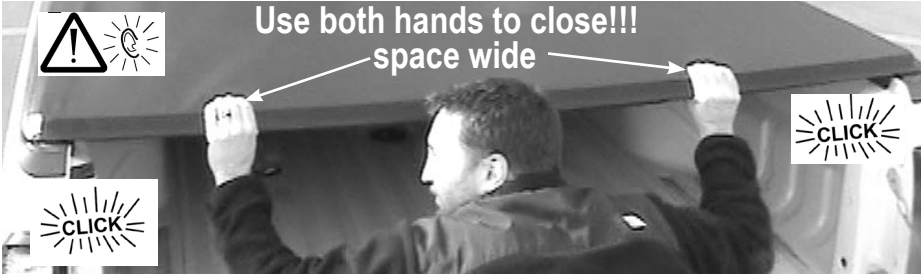
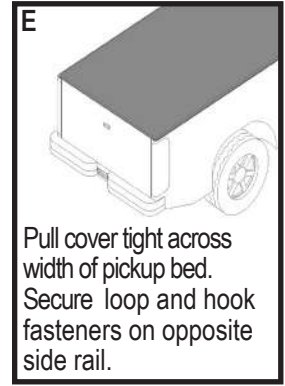
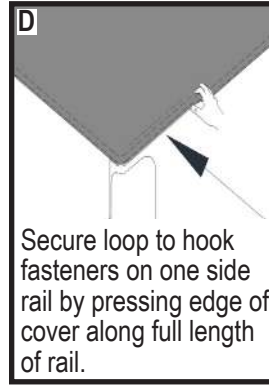
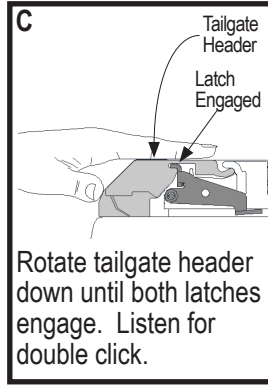
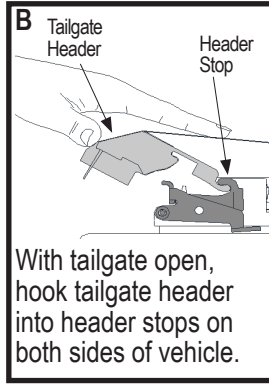
**NOTE:**

Additional weather seal may be required for pickups with bed caps, tailgate protectors, or liners. Add weather seal if needed to seal appropriately.





## 11 Close cover:



**Both latches must be fully engaged!!!**



- To prevent accidental release of tailgate header, ensure header is securely latched to side rails on both sides of pickup bed before driving vehicle.
- To prevent wind lift, secure loop and hook fasteners along entire length of both side rails before driving vehicle.

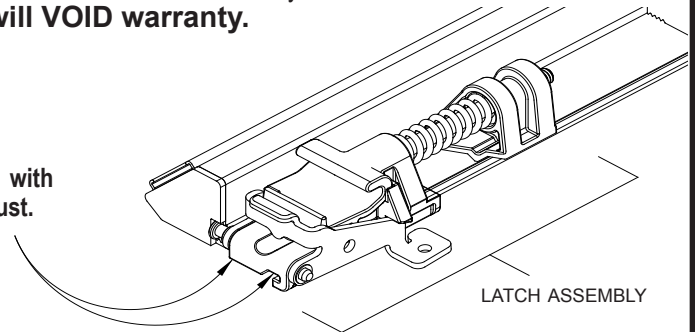
## 12 Cover tension: There is no need to adjust cover length tension. The Latch Assembly is set to the correct tension. Any modification done to this will VOID warranty.

### Keeping cover taut:

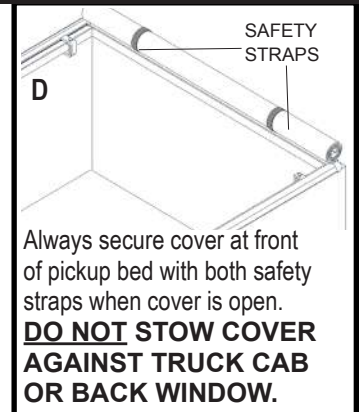
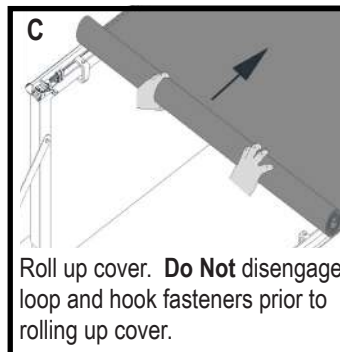
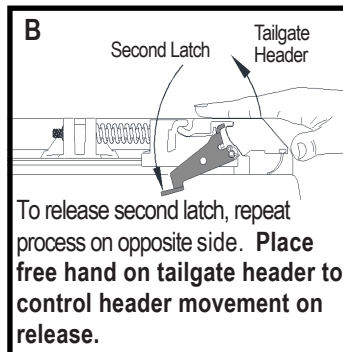
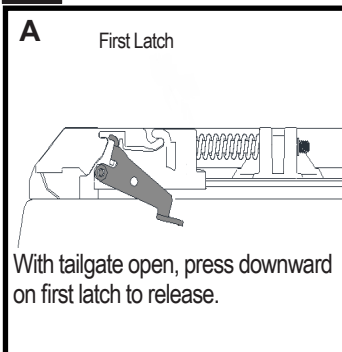
Periodically or as needed, pull cover tight across width of pickup bed, secure loop and hook on side rails.

For ease of operation, periodically clean with high pressure water to remove dirt and dust.

Cover may appear loose or relaxed in cooler or cold conditions.  
Cover may appear tight in warmer or hot conditions.



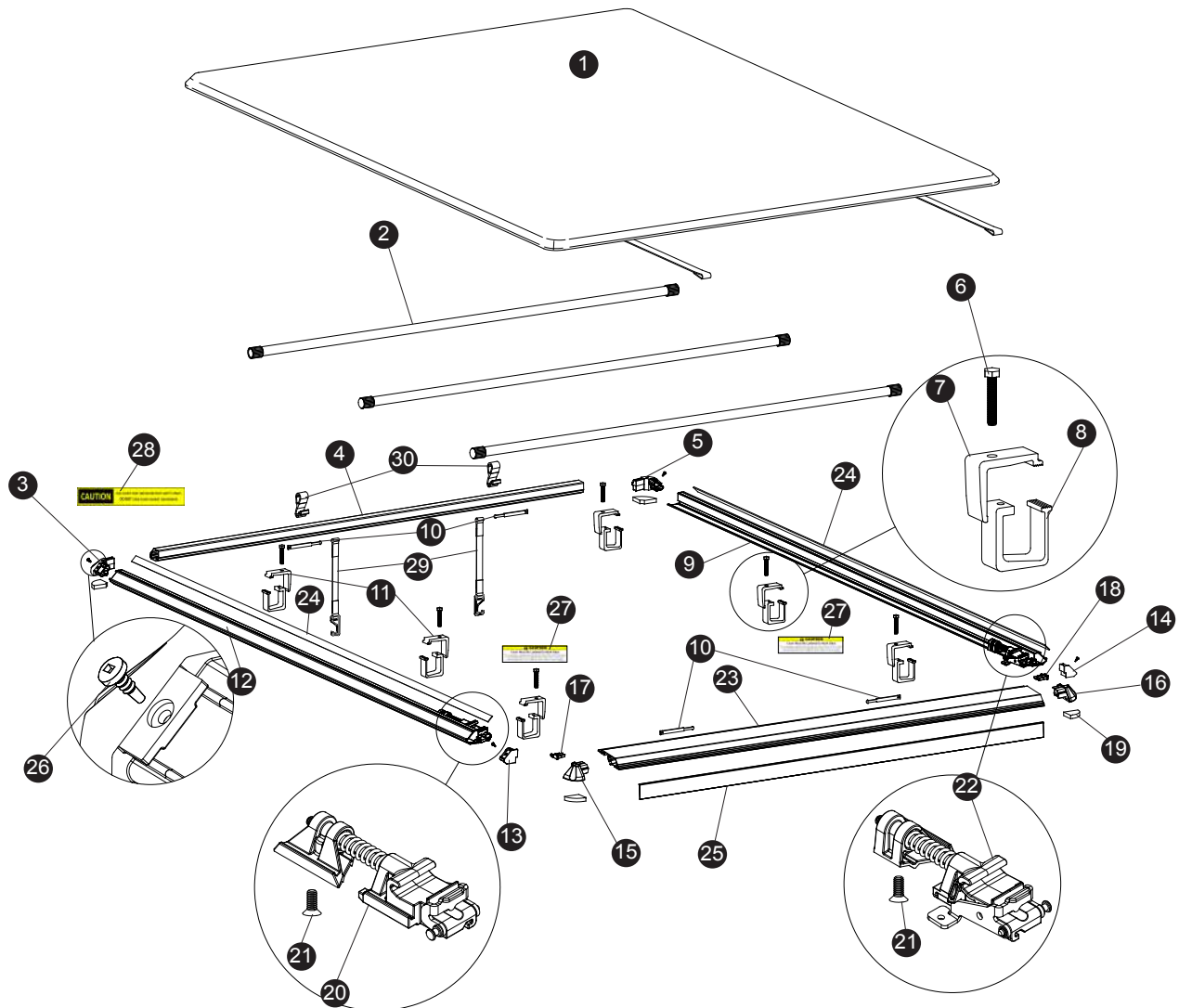
## 13 Open cover:



TruXedo, Inc.

**TRUXPORT**

# Replacement Parts



1	*	Truxport® Cover	18	1704537	Small Rear Header End Plug Pass.
2	*	Bow	19	1703568	Four Corners Weather Seal
3	1705421	Corner Plug	20	1117868	Complete Latch Assy, Driver's Side
4	*	Cab End Header	21	1703560	Flat Head Cap Screw
5	1705420	Corner Plug	22	1117869	Complete Latch Assy, Passenger's Side
6	1704470	Cap Screw, 5/16" x 1 3/4"	23	*	Tailgate Header
7	1703530	Male Clamp	24	*	Hook Fastener
8	1703531	Female Clamp	25	*	Rear Header Seal
9	*	Passenger's Side Rail	26	1705629	Self-Drilling Screw, Square Head 6-20 X 3/8"
10	1116028	Safety Clips	27	1703750	Decal Dual Latch
11	1703561	Clamp Assembly (6)	28	1705142	Decal Do Stow Cover Against Cab Window
12	*	Driver's Side Rail	29	1118160	Retainer Strap
13	1705422	End Plug Driver's Side	30	1705761	Retainer Loop
14	1705423	End Plug Pass. Side			
15	1704534	Large Rear Header End Plug Driver's			
16	1704535	Large Rear Header End Plug Pass.			
17	1704536	Small Rear Header End Plug Driver's			

\* Please specify length or make and model of vehicle.

**TRUXPORT**

Rely only on high-grade tonneau covers offered on our virtual shelves.