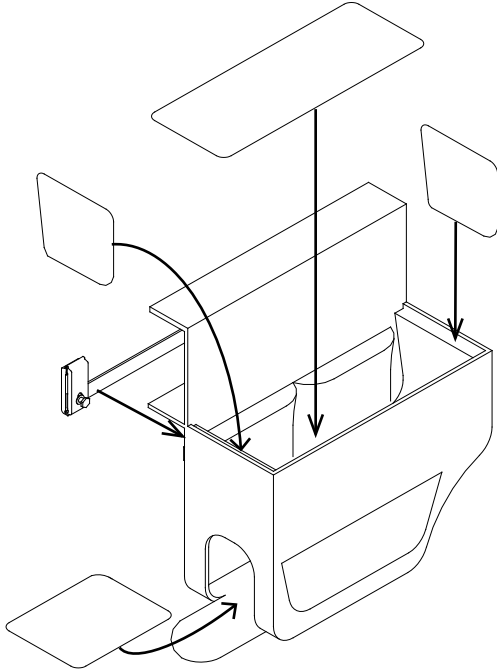
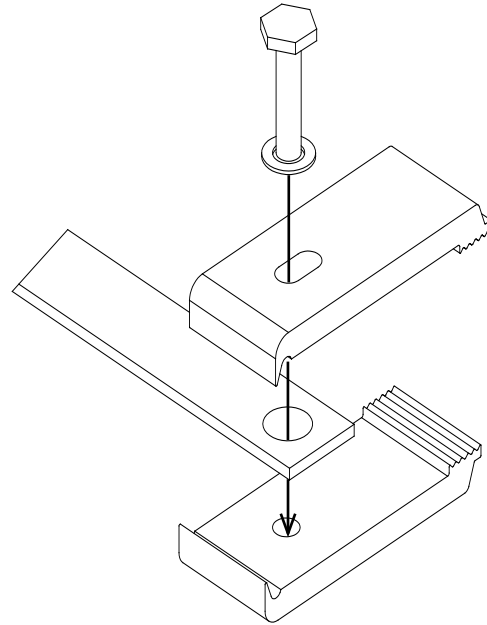


TRUCK LUGGAGE SADDLE BAG ASSEMBLY INSTRUCTIONS

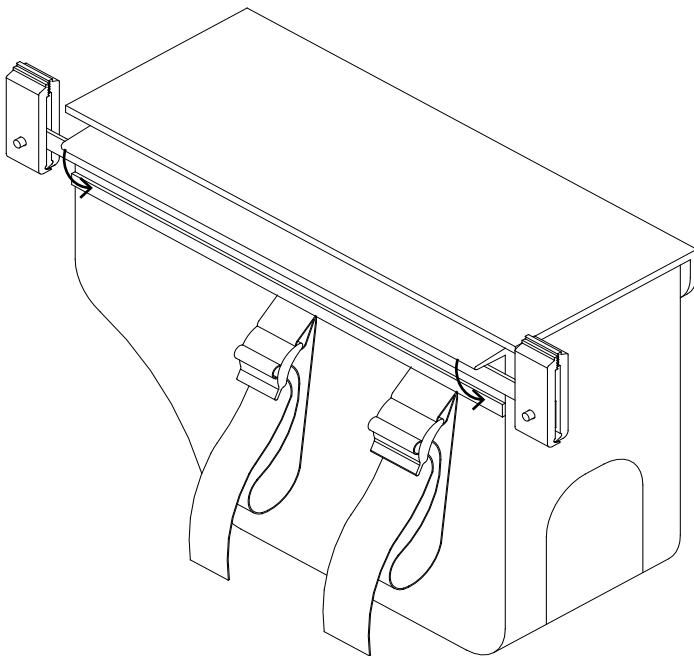
- 1) -Slide in the shortest inserts into side sleeves.
-Slide the medium sized insert into the
-Place the longest insert on top of the support straps in the top compartment. bottom compartment.



- 2) Install the clamps on the support bar.



- 3) With the bolt head facing the logo, place the support bar underneath the rear flap. Close the flap and secure.



- 4) Install on to truck.



TRUXEDO