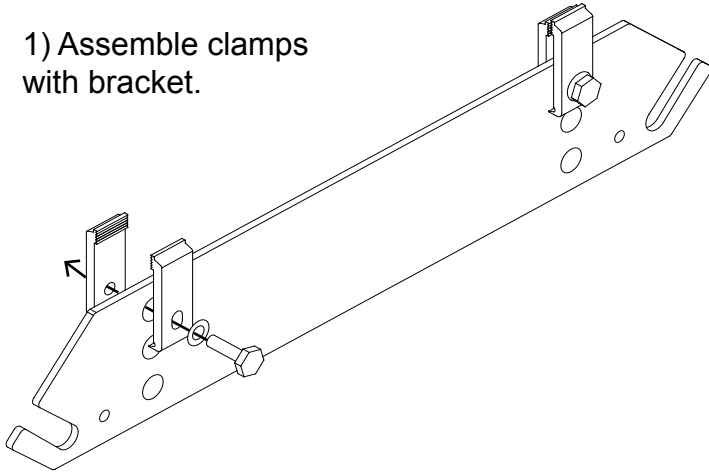
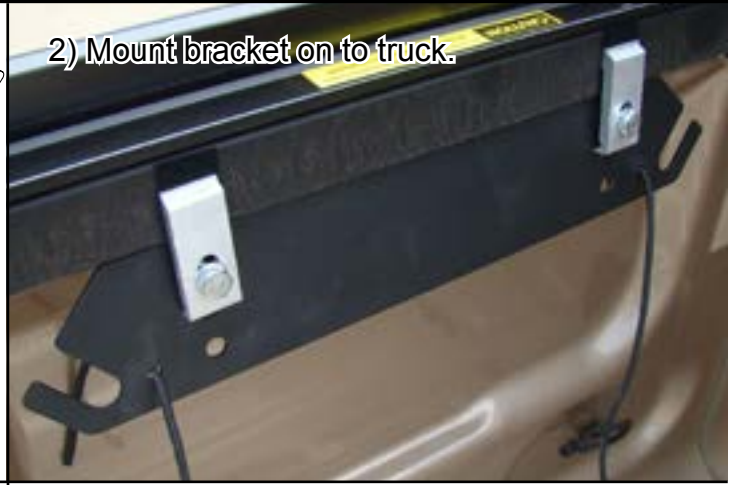


TRUCK LUGGAGE EXPEDITION ASSEMBLY INSTRUCTIONS

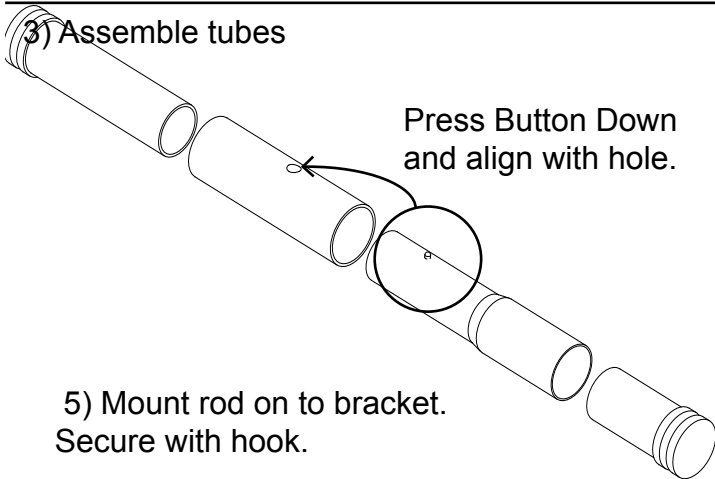
1) Assemble clamps with bracket.



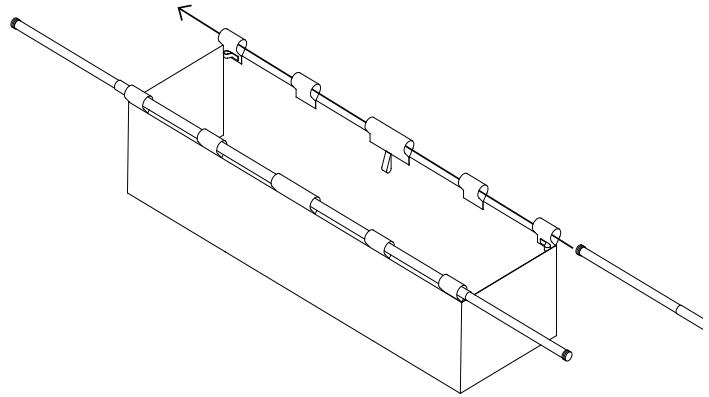
2) Mount bracket on to truck.



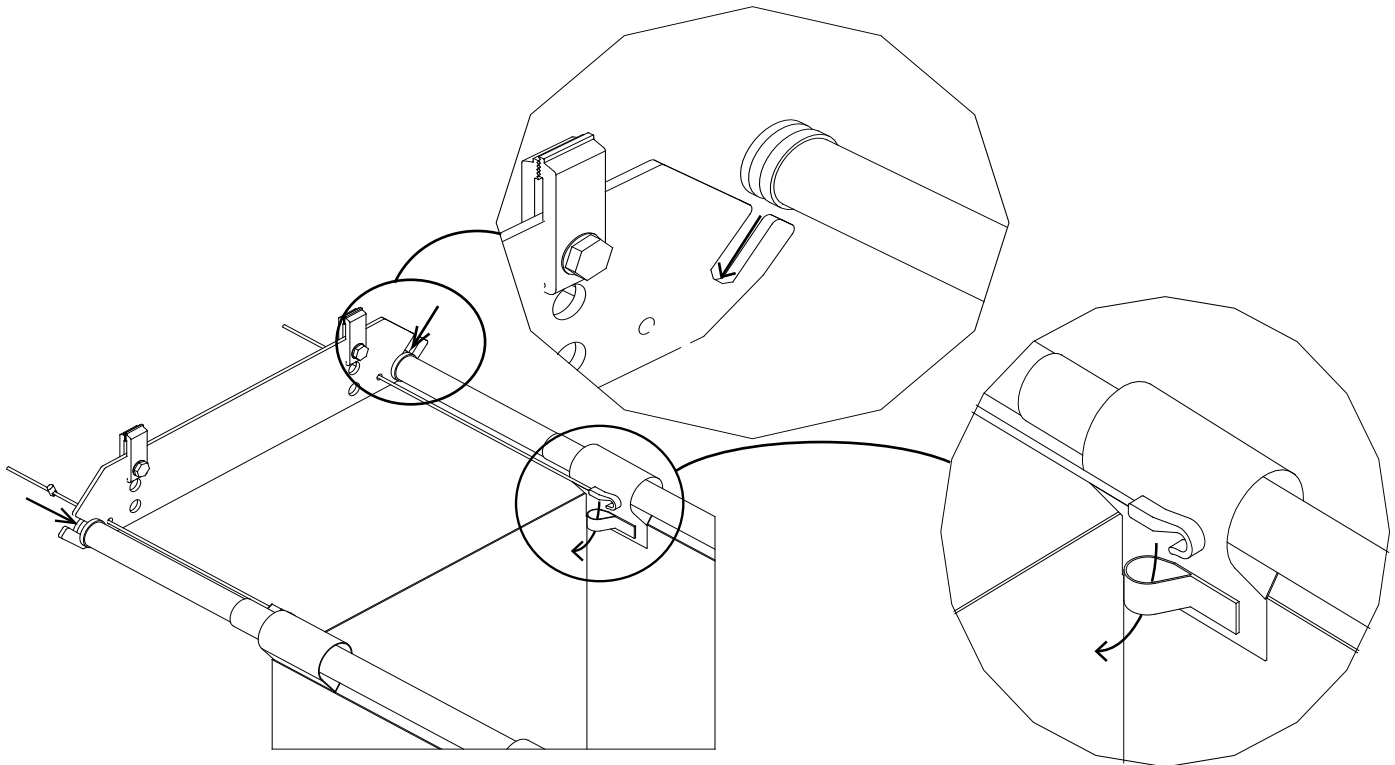
3) Assemble tubes



4) Insert through loops.



5) Mount rod on to bracket.
Secure with hook.



TRUCK LUGGAGE EXPEDITION ASSEMBLY INSTRUCTIONS

6) Strap divider in place.

