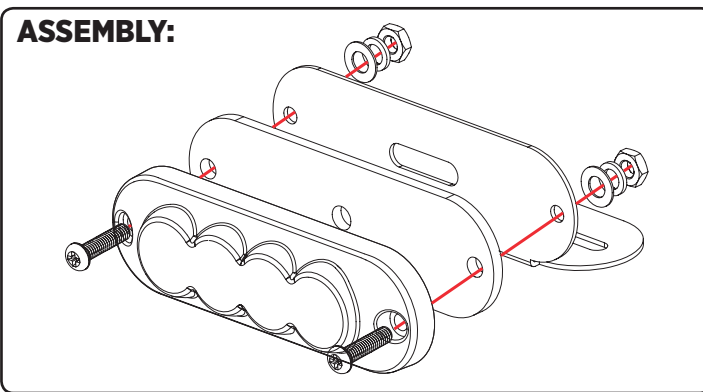
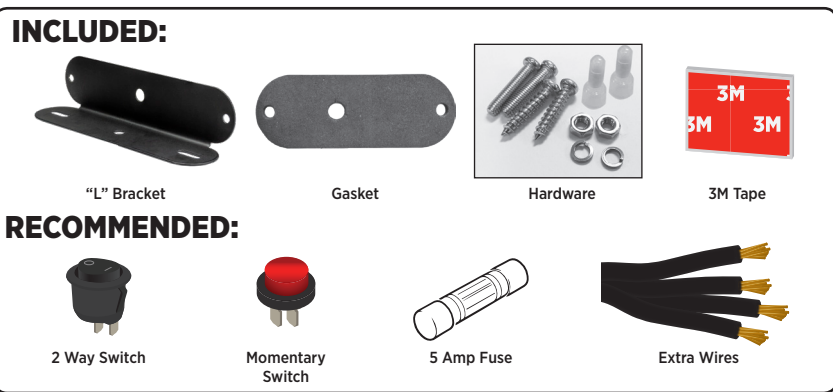


# INSTALLATION GUIDE

Models: TLED-W13A24 | W14A26 | W16A26

**INSTALLATION TIPS**  
This product must be wired to its own circuit in order to avoid any overload. It is recommended to select a beacon or lightbar as the master when including Directionals in the set-up so as to access the rotating patterns.

**CAUTION!!** These instructions are provided as a general guideline only. Additional mounting, wiring and/or weather seals may be required and are the responsibility of the installer. The manufacturer assumes no responsibility for the integrity of the installation. Please read the following instruction prior to installation of this product. Failure to follow these safety guidelines could result in damage to the product, vehicle and can even cause serious injury.



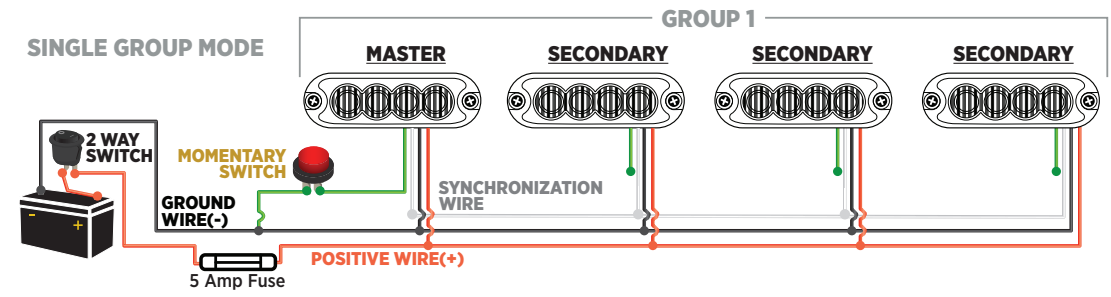
**SAFETY GUIDE**  
Do not install or operate this product unless you have read and understood the following safety information.

- Proper training and installation of this product is required in order to ensure the maintenance and safety of its use.
- Take safety precautions when working with live electrical connections.
- The result of improper wiring can lead to serious risk. If wires are not properly bonded and grounded, this could cause a fire hazard.
- Install the controls of the product at a convenient location where the operator does not lose eye contact with the roadway.
- It is important to NOT install the controls of this light or have any wires in the vicinity of an air bag or it's deployment as this can reduce the effectiveness of the air bag and cause serious injury or death.
- It is the responsibility of the operator to determine where to mount and wire this product safely by referring to the vehicle's user manual.
- The operator must ensure that all features of this product are working correctly. The projection of the warning light should not be blocked by any obstructions.
- The use of any warning devices, including this product does NOT guarantee the right of way. Fellow motorists can and will react differently to a warning signal. It is the responsibility of the operator to proceed with caution when activating this product while driving on any road.
- The user is responsible for understanding and obeying all laws regarding warning signal devices. The user must review all applicable city, state and federal laws and regulations before using this product. The manufacturer and distributor are NOT liable for any injury or penalty resulting from the use of this warning device.

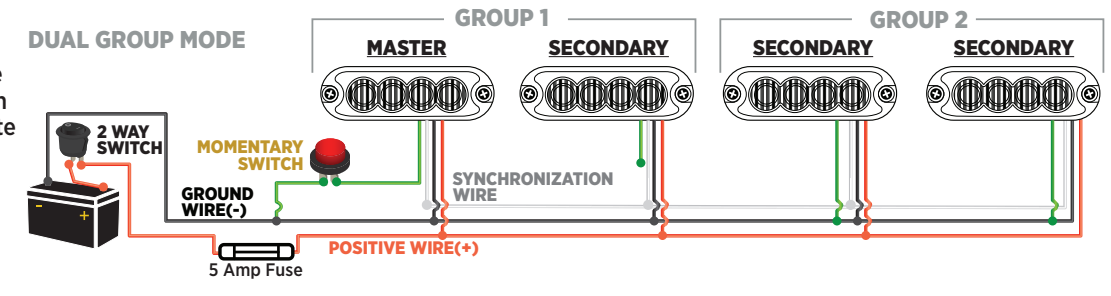
**WIRING:**  
Trux's comprehensive 36 Flash Patterns allow any of the Permanent Mount Class 1 LED Directionals, Beacons and Light Bars to function together in both alternating and synchronizing modes. Rewiring or reprogramming is not required to switch between these two modes.  
**TRUX RECOMMENDS A 5 AMP FUSE, A MOMENTARY SWITCH (PUSH BUTTON) & A 2 WAY SWITCH TO COMPLETE THE INSTALLATION OF THE LIGHT(S).**

**CHOOSE YOUR LIGHTING & GROUP MODE:**

**SINGLE GROUP MODE (SYNCHRONIZING MODE ONLY):** All lights will be connected as 1 Group. All the patterns will be in *Synchronization Mode*.



**DUAL GROUP MODE (ALTERNATING & SYNCHRONIZING MODES):** All lights will be divided in 2 Groups. Depending on the flash pattern selected, Group 1 lights can alternate or synchronize with Group 2 lights.



**NOTE:** This light is manufactured with 18AWG wire. It is recommended to switch to a higher Gauge wire (16AWG) after the first 10 ft. of wiring. For every additional 10 ft. of length, it is recommended to keep switching to a higher Gauge wire.

**ASSEMBLY INSTRUCTIONS FOR SINGLE OR DUAL GROUP:**

- Before turning power ON:  
1) Connect the **WHITE WIRES** of all the lights together to enable Synchronization.
- 2) Link all the **RED WIRES (+)** of the *Master* and *Secondary Light(s)* to a **5 AMP FUSE** (not included) that connects to a **2 WAY SWITCH** (not included). Connect the **2 WAY SWITCH** to the positive of the power supply.
- 3) Link all the **BLACK WIRES (-)** of the *Master* and *Secondary Light(s)* to the **GROUND WIRE (-)** that is connected to the ground of the power supply or chassis.
- 4) For GROUP 1 *Secondary Light(s)*, leave the individual **GREEN WIRES** disconnected. For GROUP 2 *Secondary Light(s)*, connect the individual **GREEN WIRES** to the **GROUND WIRE (-)**. This will program the *Secondary Light(s)* to be in GROUP 2.
- 5) Using the supplied *Wire Caps*, cap the individual **GREEN WIRE** on each of the *Secondary Light(s)* that were not connected.
- 6) **TO SET THE MASTER:** Before attaching the momentary switch, turn power ON and the lights will begin to flash. Touch the **GREEN WIRE** of your *Master Light* choice to the **BLACK WIRE (-)** for 5 seconds to designate this light as the *Master*. Once you see a change (Flash or Steady Light), this *Master light* will be confirmed and will automatically set all the secondary lights to the same flash pattern as the *Master*. If unsuccessful, turn power OFF and ON again and repeat this step. (It is recommended that the *Master Light* be the first point of contact to the battery.)
- 7) Once the *Master* is set, permanently connect its **GREEN WIRE** to the **MOMENTARY SWITCH** (not included). Then connect an extra wire from the **MOMENTARY SWITCH** to the **GROUND WIRE (-)** that is connected to the ground of the power supply or the chassis.
- 8) Once wiring is complete, all the secondary lights will automatically change to any pattern that the *Master light* is set to.

## FLASH PATTERNS

**SELECTING YOUR FLASH PATTERN:**  
Once installed, single tap the **MOMENTARY SWITCH** to cycle through the 36 Flash Patterns as displayed on the right.

The Flash Patterns that are highlighted in **Amber** = **SAE J595 CLASS 1 FLASH PATTERN**

**STORE YOUR FAVORITE FLASH PATTERNS:**  
Store up to 3 Flash Patterns from the Flash Pattern Table found on the right.

- Turn on the Power.
- Single Tap the **MOMENTARY SWITCH** until you reach the Pattern you would like to store.
- Press & Hold the **MOMENTARY SWITCH** for 2 seconds. Once you let go, the light will be Steady On for 1.5 seconds. This means your selected pattern has been stored successfully.
- To cycle through your 3 stored Flash Patterns, double tap the **MOMENTARY SWITCH**.

**OVERWRITE YOUR FAVORITE FLASH PATTERN:**  
Each stored pattern is in a programmed position from 1 to 3. To overwrite a stored pattern, start at the pattern in the position **before** the pattern you want to change.

To overwrite Position 2, start at Position 1. To overwrite Position 3, start at Position 2. To overwrite Position 1, start at Position 3.

For Example:

POSITION 1	POSITION 2	POSITION 3
#6	#15	#35

In the example above, if you want to replace Pattern #35 in Position 3 with Pattern #27:

- Double tap the **MOMENTARY SWITCH** to cycle through the Stored Flash Patterns until Position 2 [#15] is selected.
- Then single tap the **MOMENTARY SWITCH** to cycle through the Flash Patterns to #27.
- Once you reach #27, press & hold the **MOMENTARY SWITCH** for 2 seconds until the light is Steady On for 1.5 seconds.

Now Position 3 will contain Pattern #27 instead of Pattern #35.

Result:

POSITION 1	POSITION 2	POSITION 3
#6	#15	#27

TLED-W14A26   TLED-W16A26		
FLASH #	FLASH PATTERN	FPM
1	Single Flash (Slow)	75
2	Single Flash (Slow) - Low Power	75
3	Single Flash (Slow) - Alternating Individually	75
4	Single Flash (Slow) - Alternating Group	75
5	Single Flash - ECE R65	125
6	Single Flash - Low Power	125
7	Single Flash - Alternating Individually	125
8	Single Flash - Alternating Group	167
9	Double Flash (Slow)	75
10	Double Flash (Slow) - Alternating Individually	75
11	Double Flash (Slow) - Alternating Group	68
12	Double Flash (Fast) - ECE R65	125
13	Double Flash (Fast) - Low Power	125
14	Double Flash (Fast) - Alternating Individually	125
15	Double Flash (Fast) - Alternating Group	150
16	Triple Flash	75
17	Triple Flash - Alternating Individually	75
18	Triple Flash - Alternating Group	88
19	Quad Flash (Slow)	79
20	Quad Flash (Slow) - Alternating Individually	79
21	Quad Flash (Slow) - Alternating Group	63
22	Quad Flash (Fast) - ECE R65	125
23	Quad Flash (Fast) - Alternating Individually	117
24	Quad Flash (Fast) - Alternating Group - ECE R65	125
25	Octa (8) Flash	79
26	Octa (8) Flash - Alternating Individually	79
27	Octa (8) Flash - Alternating Group	63
28	Continuously Flash (Fast)	750
29	Automatically Flash 5/28	-
30	Automatically Flash 12/16	-
31	Single Flash (Split Accelerate)	-
32	Double Flash (Split Accelerate)	-
33	SOS Flash	-
34	Random	-
35	Steady On	-
36	Standby (Inactive)	-

TLED-W13A24		
FLASH #	FLASH PATTERN	FPM
1	Single Flash (Slow)	75
2	Single Flash (Slow) - Low Power	75
3	Double Flash (Slow)	73
4	Single Flash (Slow) - Alternating Group	75
5	Single Flash - ECE R65	125
6	Single Flash - Low Power	125
7	Double Flash (Fast)	158
8	Single Flash - Alternating Group	167
9	Double Flash (Slow)	75
10	Triple Flash (Slow)	67
11	Double Flash (Slow) - Alternating Group	68
12	Double Flash (Fast) - ECE R65	125
13	Double Flash (Fast) - Low Power	125
14	Triple Flash (Fast)	146
15	Double Flash (Fast) - Alternating Group	150
16	Triple Flash	75
17	Quad Flash	122
18	Triple Flash - Alternating Group	88
19	Quad Flash (Slow)	79
20	Sextuple (6) Flash (Slow)	62
21	Quad Flash (Slow) - Alternating Group	63
22	Quad Flash (Fast) - ECE R65	125
23	Quintuple (5) Flash (Fast)	122
24	Quad Flash (Fast) - Alternating Group - ECE R65	125
25	Octa (8) Flash	79
26	Eleven Flash	62
27	Octa (8) Flash - Alternating Group	63
28	Continuously Flash (Fast)	750
29	Automatically Flash 5/28	-
30	Automatically Flash 12/16	-
31	Single Flash (Split Accelerate)	-
32	Double Flash (Split Accelerate)	-
33	SOS Flash	-
34	Random	-
35	Steady On	-
36	Standby (Inactive)	-

**Amber** = **SAE J595 CLASS 1 FLASH PATTERN**

Flash Patterns listed as "**Alternating Individually**" indicates a pattern where the diodes in one light divide in two groups and alternate with each other.

Flash Patterns listed as "**Alternating Group**" indicates a pattern where two or more lights alternate with each other.

**NOTE: THIS UNIT MAY NOT BE FACTORY SET TO FLASH PATTERN #1**

⚠ This light uses high-intensity LEDs. DO NOT stare directly into the light while it is on, as momentary blindness and/or permanent eye damage may occur.