



LED DISPLAY ASSEMBLY INSTRUCTIONS

LED DISPLAY BACK-UP INVENTORY KIT COMPONENTS

C/M Lighting LED Display Back-Up Inventory Kit Includes

Part No.	Description	Qty.
00791	Chrome Bracket Mount for 1.5" x 2.9"	2
10250R	2.5" Round Lamp, Red	20
10250Y	2.5" Round Lamp, Yellow	20
10276R	2.5" Round Lamp, Red Beehive	2
10276Y	2.5" Round Lamp, Yellow Beehive	2
10375R	2.5" Round PC Lamp, Red	2
10375Y	2.5" Round PC Lamp, Yellow	2
10385R	2.5" Round PC Lamp, Red Low Profile	2
10385Y	2.5" Round PC Lamp, Yellow Low Profile	2
15250R	1.5" x 2.9" Lamp, Red	5
15250Y	1.5" x 2.9" Lamp, Yellow	5
18050R	1.6" x 4.5" Lamp, Red	2
18050Y	1.6" x 4.5" Lamp, Yellow	2
19250R	1.23" x 3.78" Lamp, Red	5
19250Y	1.23" x 3.78" Lamp, Yellow	5
19275R	1.23" x 3.78" Lamp, Red PC Rated	2
19275Y	1.23" x 3.78" Lamp, Yellow PC Rated	2
19748	Chrome Mount for 1.23" x 3.78" Lamps	2
21251R	2" x 6" Lamp, Red	2
21251Y	2" x 6" Lamp, Yellow	2
21275R	2" x 6" Lamp, Red PC Rated	5
21275Y	2" x 6" Lamp, Yellow PC Rated	5
25250Y	2.4" x 4.7" Lamp, Yellow	2
26250R	2" x 4.75" Lamp, Red	7
26250Y	2" x 4.75" Lamp, Yellow	5
26270R	2" x 4.75" Lamp, Red PC Rated	2
26270Y	2" x 4.75" Lamp, Yellow PC Rated	2
30250R	2" Round Lamp, Red	20
30250Y	2" Round Lamp, Yellow	20
30276R	2" Round Lamp, Red Beehive	2
30276Y	2" Round Lamp, Yellow Beehive	2
30375R	2" Round PC Lamp, Red	2
30375Y	2" Round PC Lamp, Yellow	2
30385R	2" Round PC Lamp, Red Low Profile	2
30385Y	2" Round PC Lamp, Yellow Low Profile	2
33250R	.72" Round Lamp, Red	7
33250Y	.72" Round Lamp, Yellow	7
33275Y	.72" Round PC Lamp, Yellow	7
33700	Grommet Mount for 2" Round Lamps	15
35200R	.75" x 4" Lamp, Red	5
35200Y	.75" x 4" Lamp, Yellow	5
35375R	.75" x 4" PC Lamp, Red	2
35375Y	.75" x 4" PC Lamp, Yellow	2

Signal-Stat LED Display Back-Up Inventory Kit Includes

Part No.	Description	Qty.
1050	2.5" Round C/M Lamp, Red	4
1050A	2.5" Round C/M Lamp, Yellow	4
1051	2.5" Round C/M Lamp, Red, Clear Lens	4
1051A	2.5" Round C/M Lamp, Yellow, Clear Lens	2
1075	2.5" Round C/M Lamp, Red Beehive	2
1075A	2.5" Round C/M Lamp, Yellow Beehive	4
1560	1.2" x 2.5" C/M Lamp, Red	4
1960	1.2" x 3.9" C/M Lamp, Red	4

1960A	1.2" x 3.9" C/M Lamp, Yellow	4
2150	2" x 6" C/M Lamp, Red	4
2150A	2" x 6" C/M Lamp, Yellow	4
2660	2" x 4" C/M Lamp, Red Double Bullseye	4
2660A	2" x 4" C/M Lamp, Yellow Double Bullseye	4
2750	Double Face Pedestal Lamp, Red/Yellow	4
2751	Single Face Pedestal Lamp, Red	4
2751A	Single Face Pedestal Lamp, Yellow	4
3050	2" Round C/M Lamp, Red	4
3050A	2" Round C/M Lamp, Yellow	4
3051	2" Round C/M Lamp, Red, Clear Lens	2
3051A	2" Round C/M Lamp, Yellow, Clear Lens	2
3075	2" Round C/M Lamp, Red Beehive	2
3075A	2" Round C/M Lamp, Yellow Beehive	4
4050	4" Round S/T/T Lamp, Red	20
4050A	4" Round F/P/T Lamp, Yellow	4
4051	4" Round S/T/T Lamp, Red, Clear Lens	4
4051A	4" Round F/P/T Lamp, Yellow, Clear Lens	2
4060C	4" Round BU Lamp, Clear	4
4550	3.5" x 4.3" S/T/T Lamp, Red	2
4550A	3.5" x 4.3" F/P/T Lamp, Yellow	2
6050	6" Oval S/T/T Lamp, Red	4
6050A	6" Oval F/P/T Lamp, Yellow	4
6051	6" Oval S/T/T Lamp, Red, Clear Lens	4
6051A	6" Oval F/P/T Lamp, Yellow, Clear Lens	2
6060C	6" Oval BU Lamp, Clear	4

White Lighting LED Display Back-Up Inventory Kit Includes

Part No.	Description	Qty.
15055	1.2" x 2.5" Lic. Lamp & Chrome Bracket	2
15205	1.2" x 2.5" Lic. Lamp, Clear	2
44205C	4" Round BU Lamp, Clear	2
44207C	4" Round Dome Lamp, Clear	1
66205C	6" Oval Backup Lamp, Clear	1
80250C	5" x 18.3" 6 Diode Dome Lamp, Clear	2
81360	LED Work Lamp, Clear	2
84201C	4" Corner Mount Striplite, Lens, Clear	1
84211C	2" Corner Mount Striplite, Lens, Clear	1
84216C	2" Flat Mount Striplite, Lens, Clear	1

Universal Lighting LED Display Back-Up Inventory Kit Includes

Part No.	Description	Qty.
44302R	4" Round 6 Diode S/T/T Lamp, Red	20
44202R	4" Round 17 Diode S/T/T Lamp, Red	6
44203Y	4" Round 42 Diode F/P/T Lamp, Yellow	2
66250R	6" Oval 1 Diode S/T/T Lamp, Red	5
60250R	6" Oval 26 Diode S/T/T Lamp, Red	6
60315Y	6" Oval Side Turn Lamp, Yellow	5
60280Y	6" Oval F/P/T Lamp, Yellow	2
45258R	3.4" x 5.3" S/T/T Lamp, Red	2
45251Y	3.4" x 5.3" F/P/T Lamp, Yellow	2

Mini-Marker Auxiliary LED Display Back-Up Inventory Kit Includes

Part No.	Description	Qty.
33062B	.75" Lamp/Chrome Flange Kit, Blue	6
33062C	.75" Lamp/Chrome Flange Kit, Clear	6

33062G	.75" Lamp/Chrome Flange Kit, Green	6
33062PR	.75" Lamp/Chrome Flange Kit, Purple	6
33062R	.75" Lamp/Chrome Flange Kit, Red	6
33062Y	.75" Lamp/Chrome Flange Kit, Yellow	6
33067B	.75" Super Lamp/Chrm Flange Kit, Blue	6
33067C	.75" Super Lamp/Chrm Flange Kit, Clear	6
33067G	.75" Super Lamp/Chrm Flange Kit, Green	6
33067PR	.75" Super Lamp/Chrm Flange Kit, Purple	6
33067R	.75" Super Lamp/Chrm Flange Kit, Red	6
33067Y	.75" Super Lamp/Chrm Flange Kit, Yellow	6
33700	.75" Grommet Mount	10
33800	.75" Black Flange Mount	10
33810	.75" Chrome Flange Mount	10
96354	Mating bullet connector with white wire	10
96357	Mating bullet connector with black wire	10

7" Round LED Headlamp Back-Up Inventory Kit Includes

Part No.	Description	Qty.
27250C	LED Headlamp	6

7" Round LED Spot Lamp Back-Up Inventory Kit Includes

Part No.	Description	Qty.
81711	LED Spot Lamp	6

7" Round LED Work Lamp Back-Up Inventory Kit Includes

Part No.	Description	Qty.
81712	LED Work Lamp	6

LED Flex-Lite Display Back-Up Inventory Kit Includes

Part No.	Description	Qty.
36100R	Winged, Side Exit Lamp, Red	10
36100Y	Winged, Side Exit Lamp, Yellow	10
36105R	Non-winged, Side Exit Lamp, Red	10
36105Y	Non-winged, Side Exit Lamp, Yellow	10
36110R	Winged, Rear Exit Lamp, Red	10
36100Y	Winged, Rear Exit Lamp, Yellow	10
36105R	Non-winged, Rear Exit Lamp, Red	10
36105Y	Non-winged, Rear Exit Lamp, Yellow	10

4" Round LED Auxiliary Lamp Back-Up Inventory Kit Includes

Part No.	Description	Qty.
81360	LED Work Lamp, Black Finish	2
81365	LED Work Lamp, Chrome Finish	2
81374	LED Work Lamp, White Finish	2
81380	LED Flood Lamp, Black Finish	2
81385	LED Flood Lamp, Chrome Finish	2
81390	LED Spot Lamp, Black Finish	2
81391	LED Spot Lamp, Chrome Finish	2
81395	LED Spot Lamp, White Finish	2

Hardware Pack Contents

Note: Extra hardware may be included



(3) Wall Mounting Brackets



(20) 1/4 20 Hex Head Bolts



(20) Wing Nuts



(3) Wall Mounting Screws

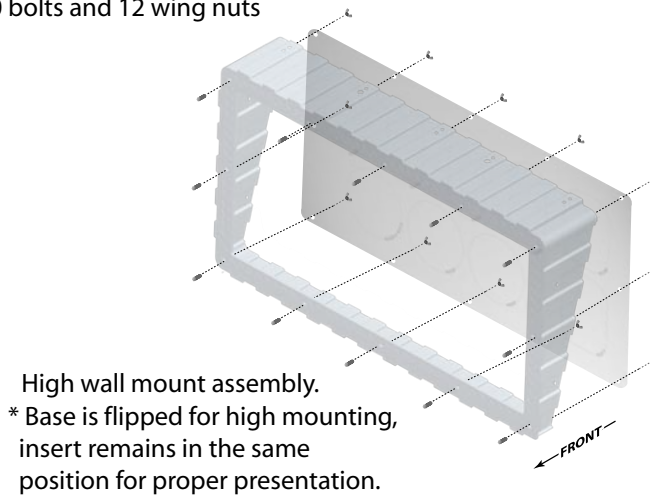
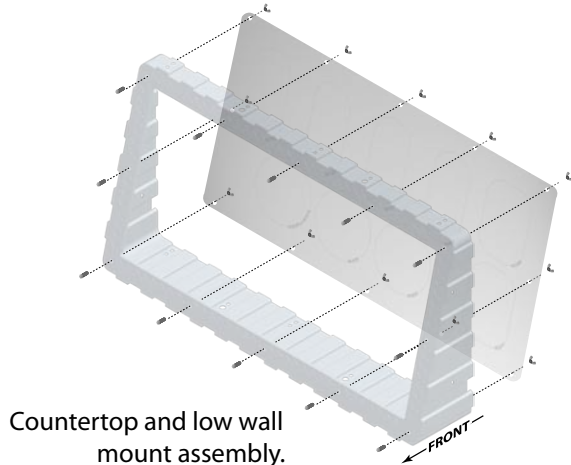


(3) Wall Mounting Anchors

STEP 1. DETERMINE ORIENTATION OF DISPLAY AND INSTALL LIGHTING INSERTS

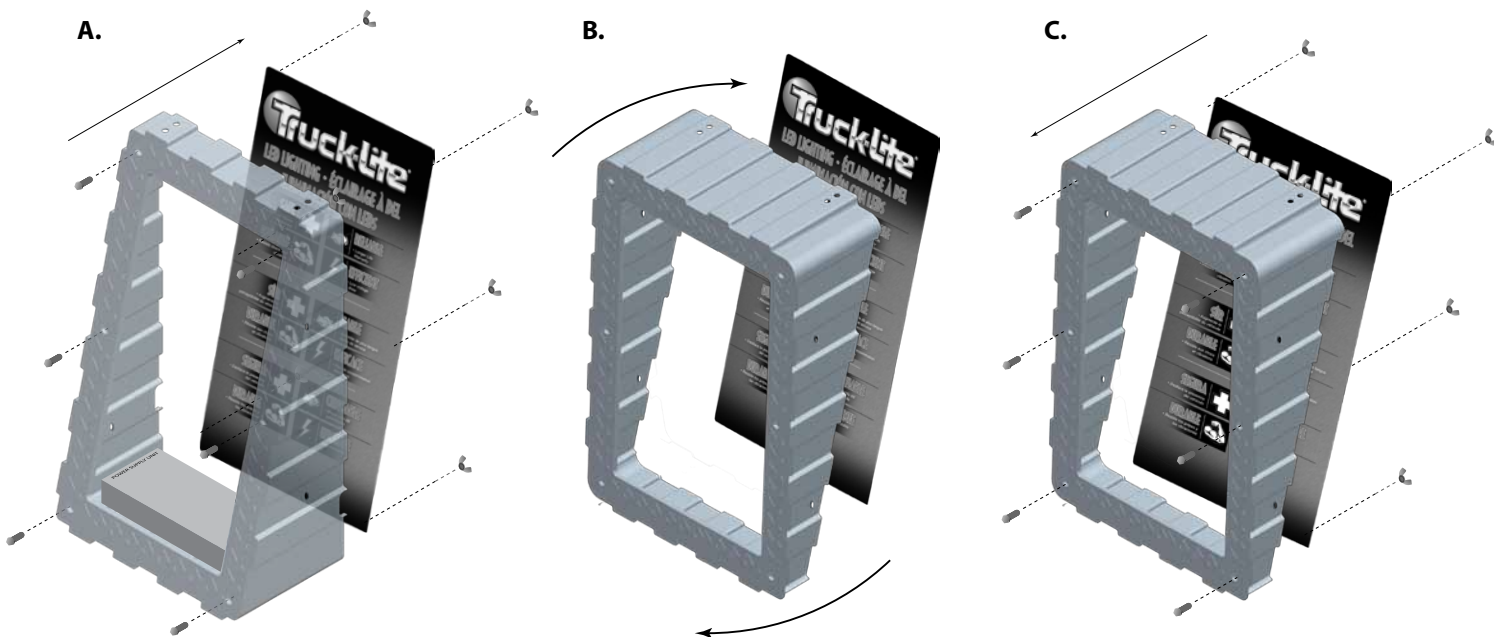
The Truck-Lite LED displays can be oriented to be used as a countertop piece/mounted low on wall or to be oriented to mount high on a wall. If your display will be used as a countertop display or mounted low on a wall, assemble the lighting insert into the black display base (96130 or 96131) so that the wide portion of the display base is located on the bottom. If your display will be mounted high on a wall, assemble the lighting insert into the black display base (96130 or 96131) so that the narrow portion of the display base is located on the bottom.

A. Install assembled lighting insert into display base using 12 - 1/4 20 bolts and 12 wing nuts

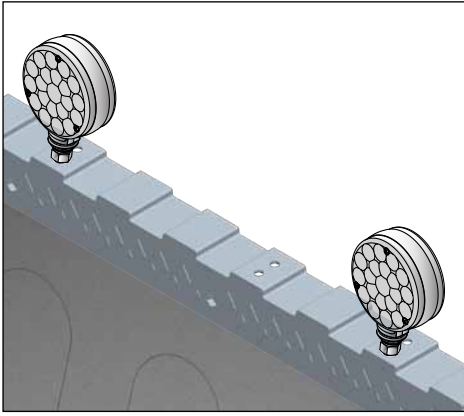


If you choose high mount orientation the pre-assembled power supply will require rotating the orientation of the graphic card insert

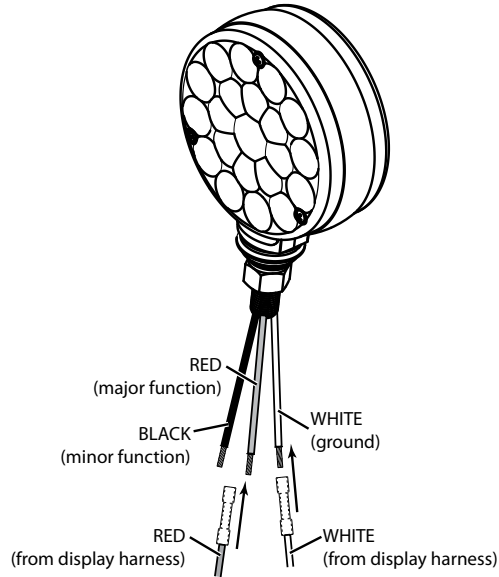
- A. Remove wingnuts, bolts and graphic card insert
- B. Rotate small display base so the narrow side is on the bottom
- C. Reinsert the graphic card insert, bolts and wingnuts



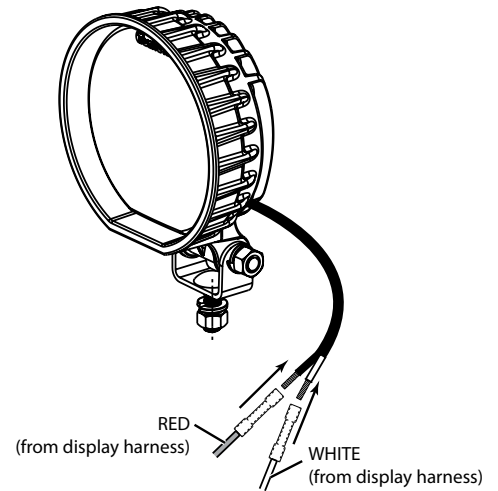
STEP 2. INSTALL TOP MOUNT LAMPS (required for Signal-Stat & White Lighting displays)



2750 & 2751 on Signal-Stat Display



81360 on White Lighting Display



Signal-Stat Display and White Lighting Display include lamps that require mounting on top of large base.

Signal-Stat Display 96118-4

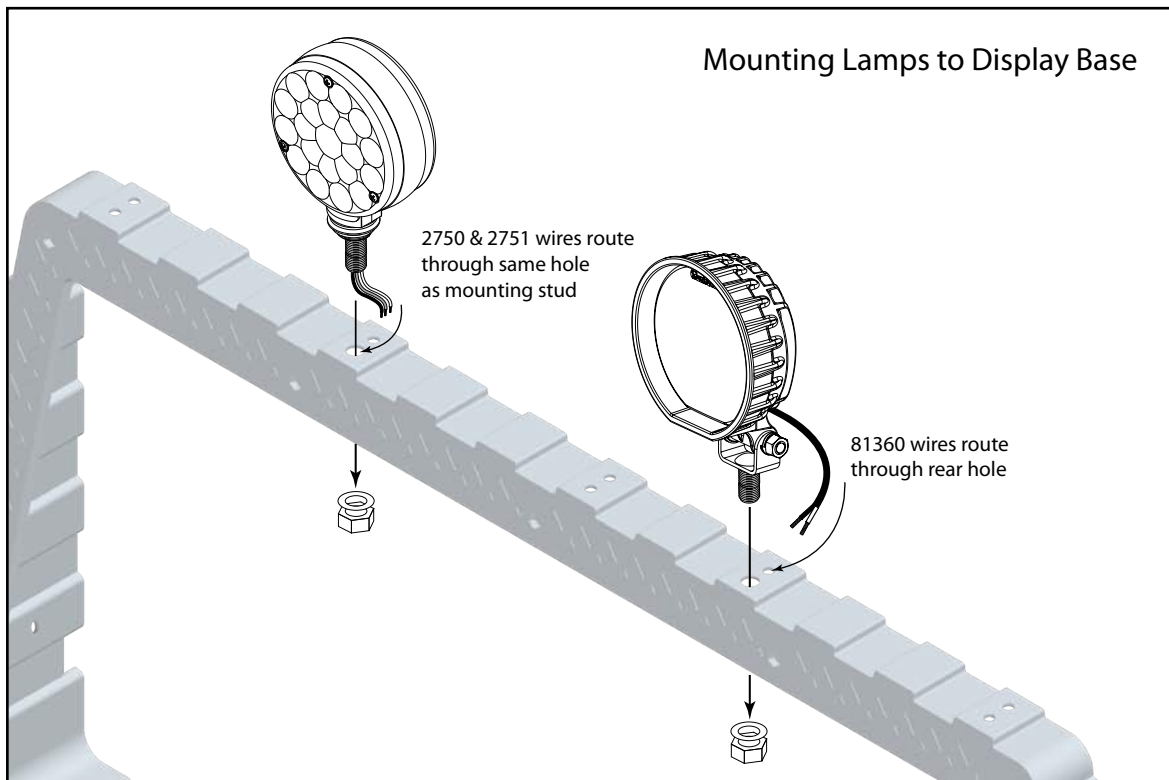
- Remove ring terminal and strip 1/2" of coating from white ground wire on 2750 and 2751 pedestal lamps.
- Mount 2750 and 2751 pedestal lamps on top of display using mounting hardware provided with lamp (see below).
- Crimp white wire from 2750 and 2751 pedestal lamps to white wire with open crimp connector from LED display harness
- Choose if you want to have the major or minor function for 2750 and 2751 lit.

Major: Crimp black wire from 2750 and 2751 pedestal lamps to red wire with open crimp connector from LED display harness

Minor: Crimp red wire from 2750 and 2751 pedestal lamps to red wire with open crimp connector from LED display harness

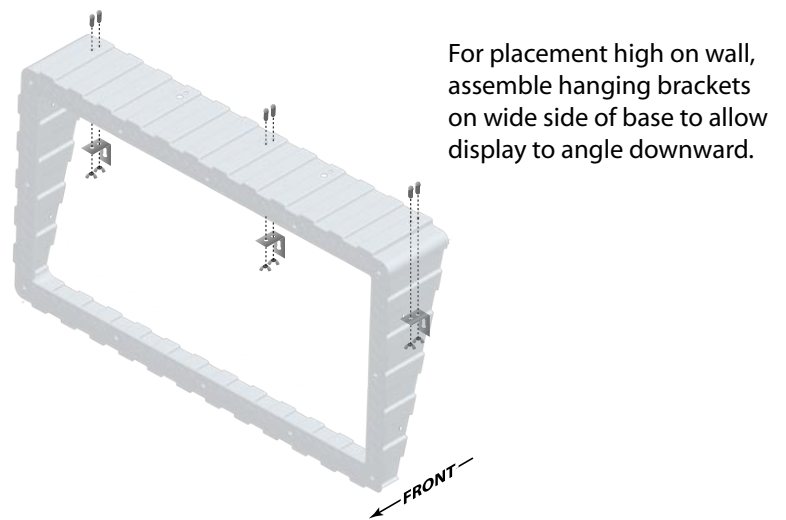
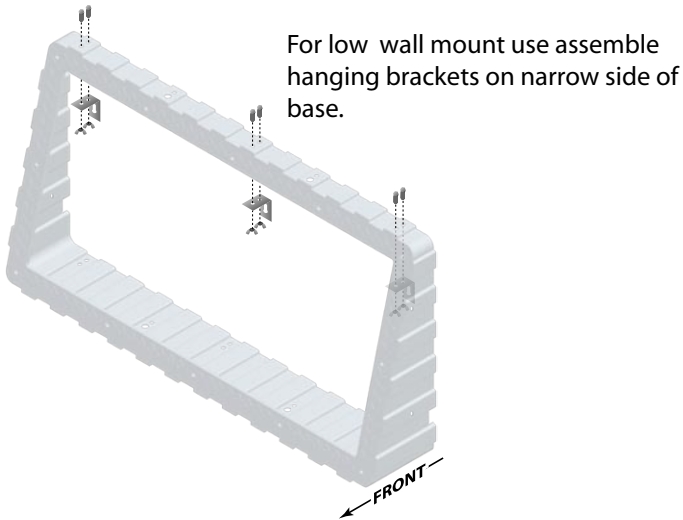
White Lighting Display 96119-4

- Strip 1" of black insulation from 81360 LED Worklamp to reveal white and black wire
- Strip 1/2" of coating from white ground wire and black positive wire on 81360 LED Worklamp
- Mount 81360 LED Worklamp on top of display using mounting hardware provided with lamp (see below).
- Crimp white wire from 81360 LED Worklamp to white wire with open crimp connector from LED display harness
- Crimp black wire from 81360 LED Worklamp to red wire with open crimp connector from LED display harness



STEP 3. INSTALL WALL MOUNTING HARDWARE

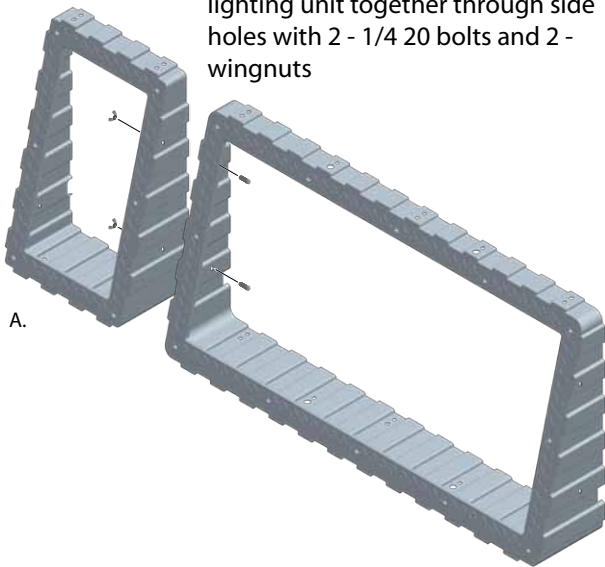
A. Install 3 wall mounting brackets using 6 - 1/4 20 hex head bolts and 6 - wingnuts on narrow or wide side of display base depending on chosen orientation of display



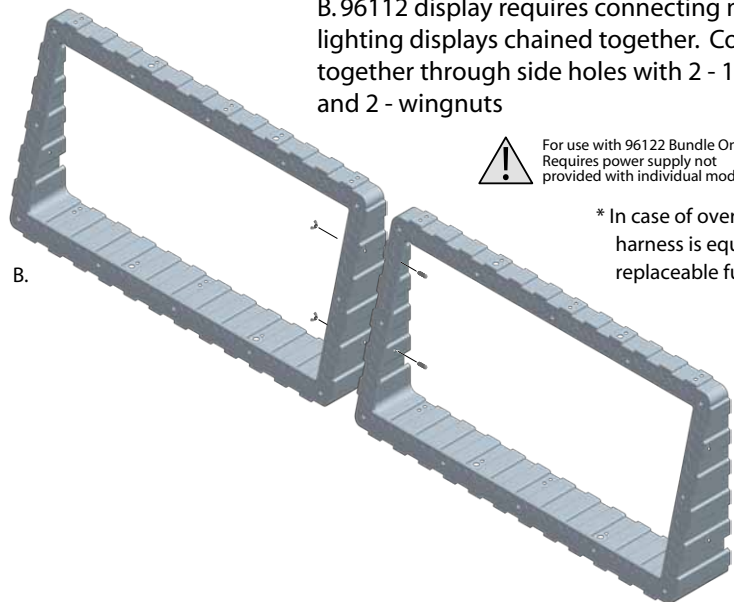
STEP 4. ASSEMBLE POWER SUPPLY UNIT AND ASSEMBLED LIGHTING UNIT(S) TOGETHER

Truck-Lite LED Lighting displays are designed so that the power supply unit connects to the left hand side of the assembled lighting unit regardless of orientation chosen.

A. Connect power supply unit and lighting unit together through side holes with 2 - 1/4 20 bolts and 2 - wingnuts



B. 96112 display requires connecting multiple (4) lighting displays chained together. Connect units together through side holes with 2 - 1/4 20 bolts and 2 - wingnuts

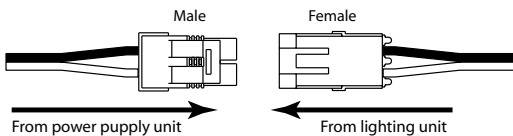


For use with 96122 Bundle Only!
Requires power supply not provided with individual models.

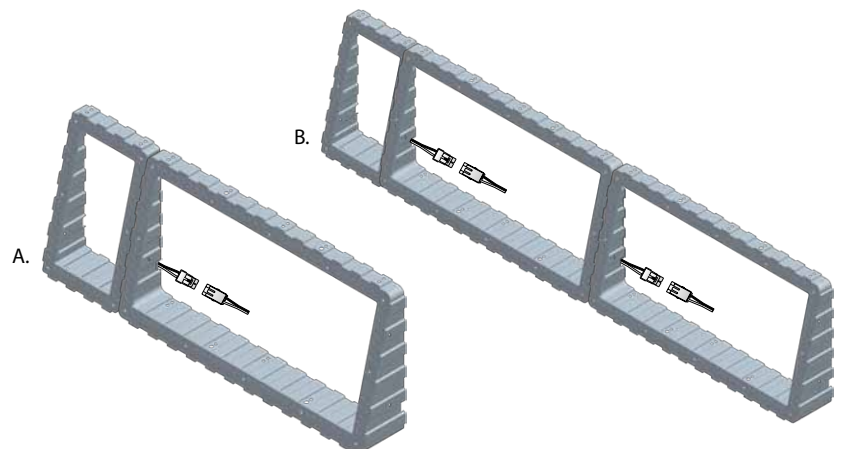
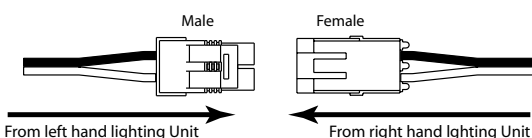
* In case of over-voltage, each harness is equipped with a replaceable fuse

STEP 5. CONNECT POWER SUPPLY UNIT AND ASSEMBLED LIGHTING UNIT HARNESS(S) TOGETHER

A. Connect male connector from power supply unit to female packard from Lighting unit

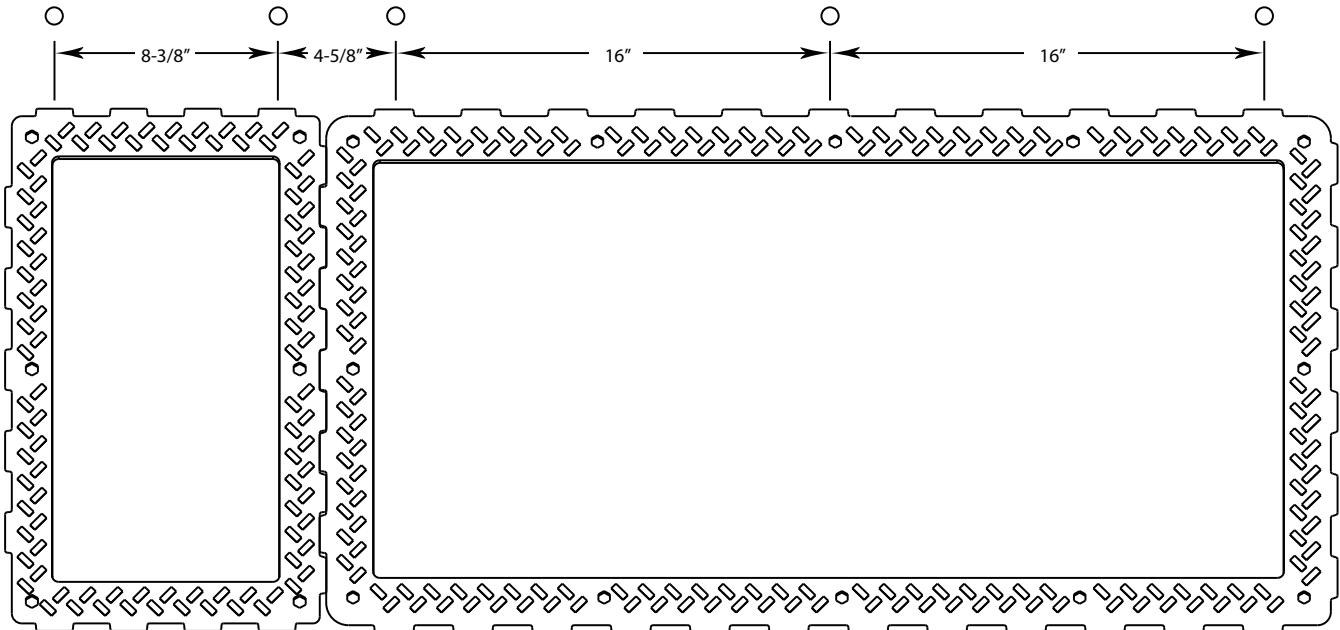
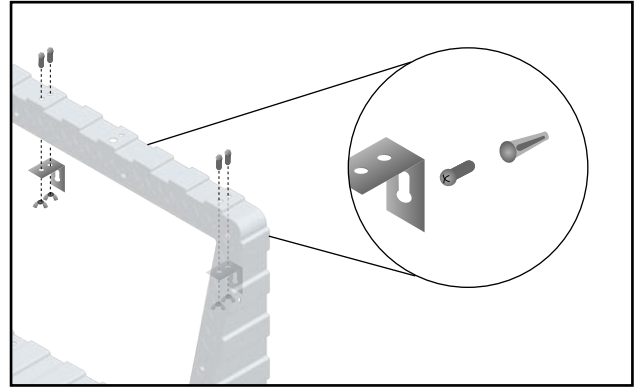


B. 96122 display requires connecting multiple (4) lighting displays chained together. Connect male connector from lighting unit harness on left to female connector from lighting unit harness on right

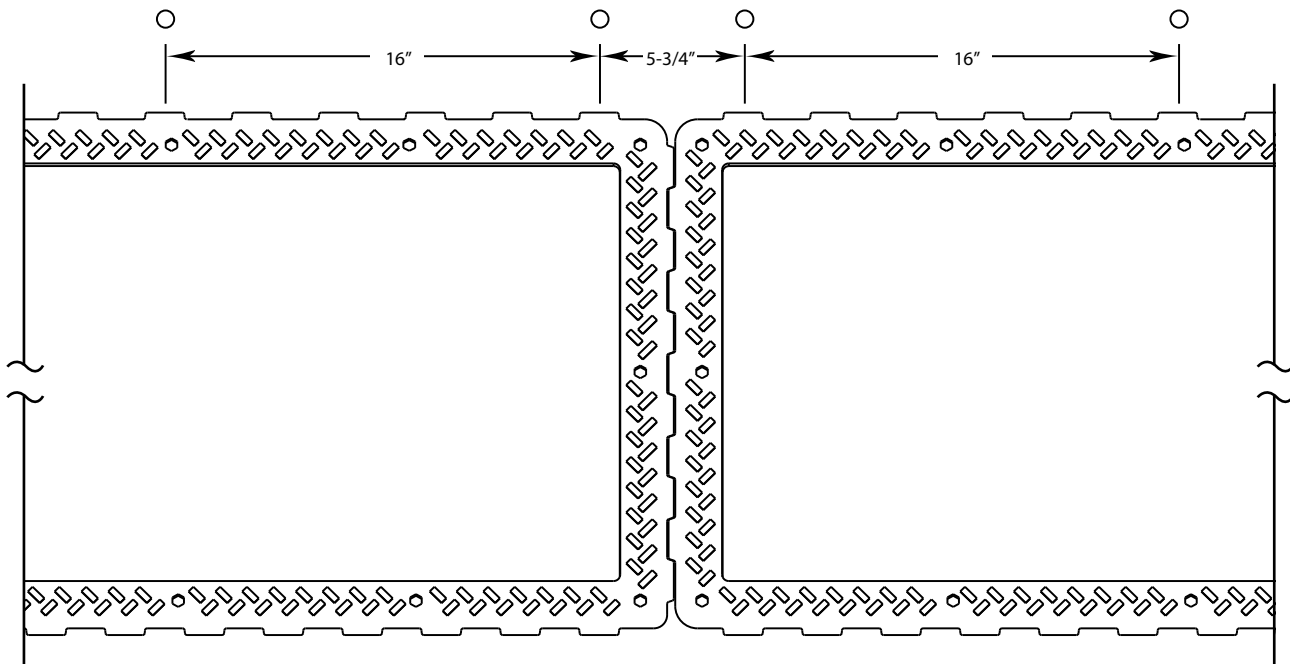


STEP 6. INSTALL DRYWALL HANGERS AND HANG DISPLAY

- A. Drill 1/4" holes in wall (see required dimensions below)
- B. Install drywall hangers into 1/4" hole in wall.
- C. Insert screws into drywall hanger leaving 1/4" extending from wall to hang display.
- D. Insert screw heads into oversized hole and lower display, guiding screws into slot.



*"Super Bundle" display requires connecting multiple (4) lighting displays chained together. The distance between mounting holes on the lighting units is 5-3/4"



STEP 7. MAJOR OR MINOR FUNCTION OPTION

96118 Signal-Stat, 96116 Stop/Turn/Tail and 96122 Super displays feature lamps that have major and minor functions. Lamps configured to display major function will be brighter than lamps configured to display minor function.

96116, 96118 and 96122 displays feature major function as the default configuration. To configure a lamp to display minor function, unplug the red bullet terminal and plug in the black bullet terminal for each lamp.

