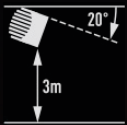


UTILITY 25

Measuring 80mm x 80mm, and capable of operating between 9-32V, the Utility-25 utilises highly efficient 6W LEDs from a world-leader in LED design and manufacture. Like all Triple-R products, the colour temperature of the LEDs is carefully selected at 5000 kelvin to maximise sharpness and definition of the area ahead, without causing fatigue or strain which can come from using LEDs with a higher colour range. The vacuum-metallised optics harness the 3,016 raw lumens delivering 78 degree spread (to 10% of peak intensity). The impressive lighting performance is maintained through the high thermal conductivity of the 'Matrix' cooling system which allows the lamp to be run at a higher drive current without compromising the longevity of the LEDs themselves.



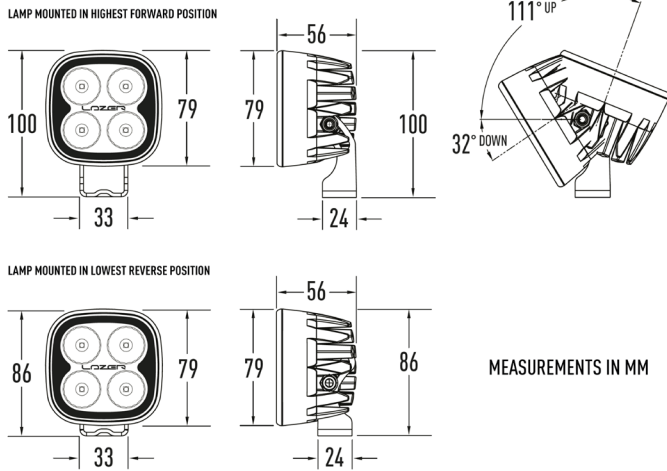
50 lux line represents HSE guidelines for working outside at night while undertaking general tasks, such as labouring or moving goods.



UK BUILT | US DRIVEN

UTILITY SERIES

- High density LED's
- Vacuum-metallised optics deliver wide spread of light
- Versatile mounting bracket
- EMC protected
- Electronic thermal management
- CAE optimised 'Matrix' cooling system
- Designed & manufactured in the UK



UTILITY-25 MOUNT
(included with lamp)

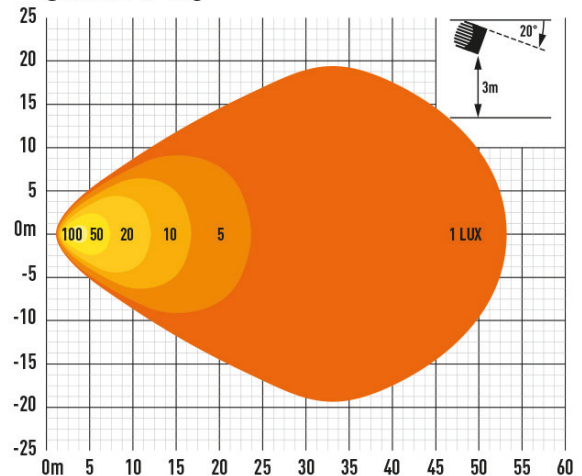


AMBER LENSES
(sold separately)

WORK LAMP	ECE R10
VOLTAGE RANGE	10V - 32V
RAW LUMENS	4050
BEAM PATTERN	Wide
BEAM DISTANCE (50LX)	7m
# HIGH POWER LEDS	4
POWER CONSUMPTION	25 Watts
CURRENT DRAW†	1.6 Amps
LED LIFE	50,000 Hrs*
WEIGHT	360g

* LED Manufacturers Specifications †At 14.4 Volts

UTILITY-25



50 lux line represents HSE guidelines for working outside at night while undertaking general tasks, such as labouring or moving goods.

Triple-R Lights LLC, 16192 Coastal Highway, Lewes, Delaware, 19958, USA | sales@triple-r-lights.com | www.triple-r-lights.com

