

## ALSO AVAILABLE



VEHICLE GRILLE MOUNT KITS



ROOF MOUNTING KITS



MOUNTING KITS



REDED LENSES



NEOPRENE COVERS



AMBER LENSES



CANBUS SYSTEMS

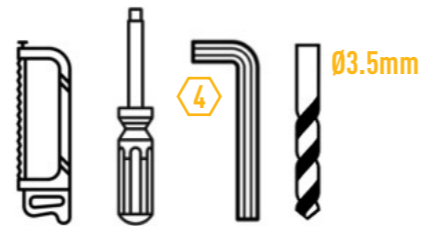
## WHAT'S INCLUDED

- 4x Grille Mounting Brackets
- 4x Cutter Guides
- Anti-Theft Fasteners & Key
- Fitting Instructions

### Additionally - Kit Includes:

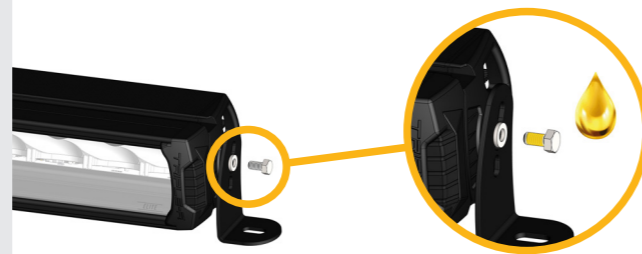
- 1x High Performance LED Spotlights (Triple-R 750)
- 1x Two-Lamp Wiring Kit

## TOOLS REQUIRED



## SIDE MOUNTING INFORMATION

It is advised to use an anti-seize compound or thread-lock when mounting from the side of the lamp(s).



**TRIPLE-R**  
HIGH PERFORMANCE LIGHTING

[WWW.TRIPLE-R-LIGHTS.COM](http://WWW.TRIPLE-R-LIGHTS.COM)

sales@triple-r-lights.com  
Triple-R Lights LLC, 16192 Coastal Highway,  
Lewes, Delaware, 19958, USA

 UK BUILT |  US DRIVEN    /TRIPLERLIGHTS

**TRIPLE-R**  
HIGH PERFORMANCE LIGHTING



**FORD TRANSIT (2019+)**  
GRILLE INTEGRATION KIT

**FITTING INSTRUCTIONS**

## INSTALLATION PROCESS

Install should be completed with the grille left on the vehicle.

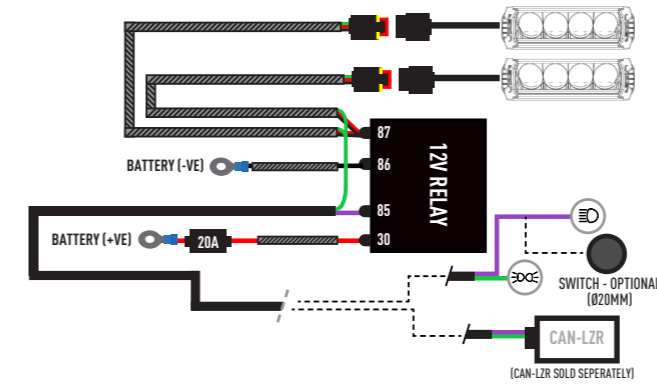


## TORQUE VALUES

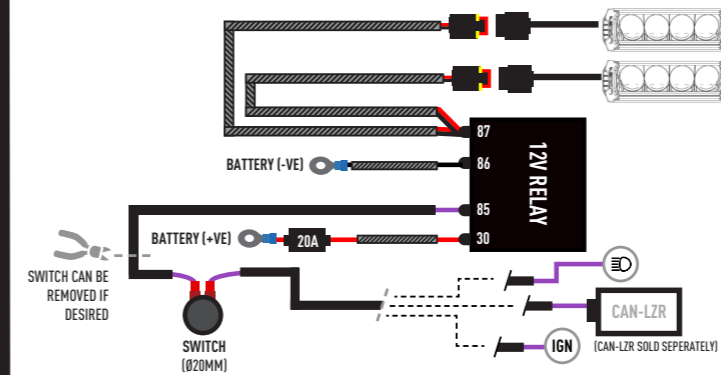


## ELECTRICAL CONNECTION

### LR-750 STANDARD

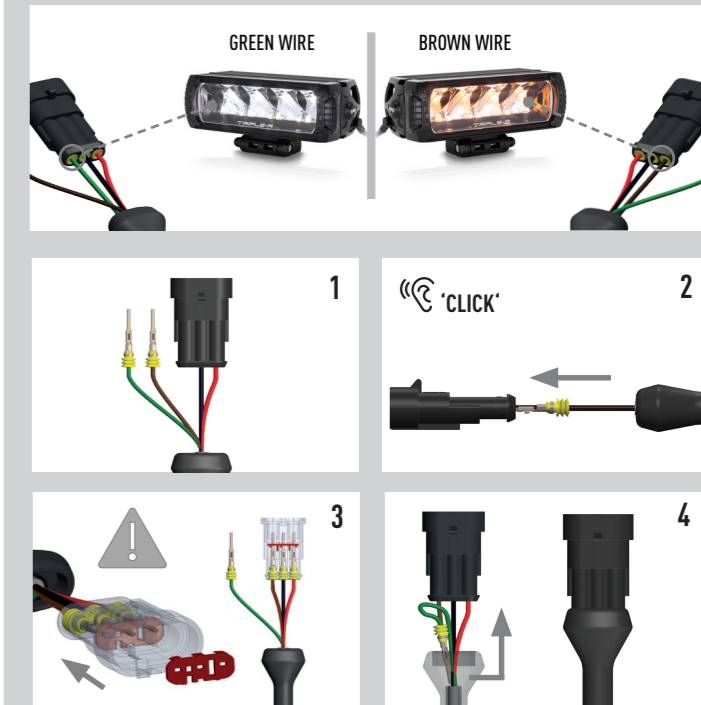


### LR-750 ELITE

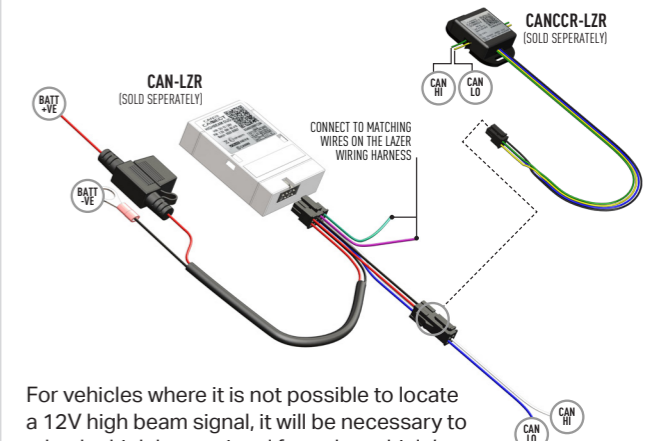


## LR-SERIES - BACKLIGHT FUNCTION

The LR Series (Standard products only) come with the option to connect an amber or yellow backlight. For operation of either, connect the corresponding colored signal wire indicated below.



## CANBUS INTEGRATION



For vehicles where it is not possible to locate a 12V high beam signal, it will be necessary to take the high beam signal from the vehicle's CAN system. For vehicle specific CAN instructions, please download the "CANM8 Connect" App.