

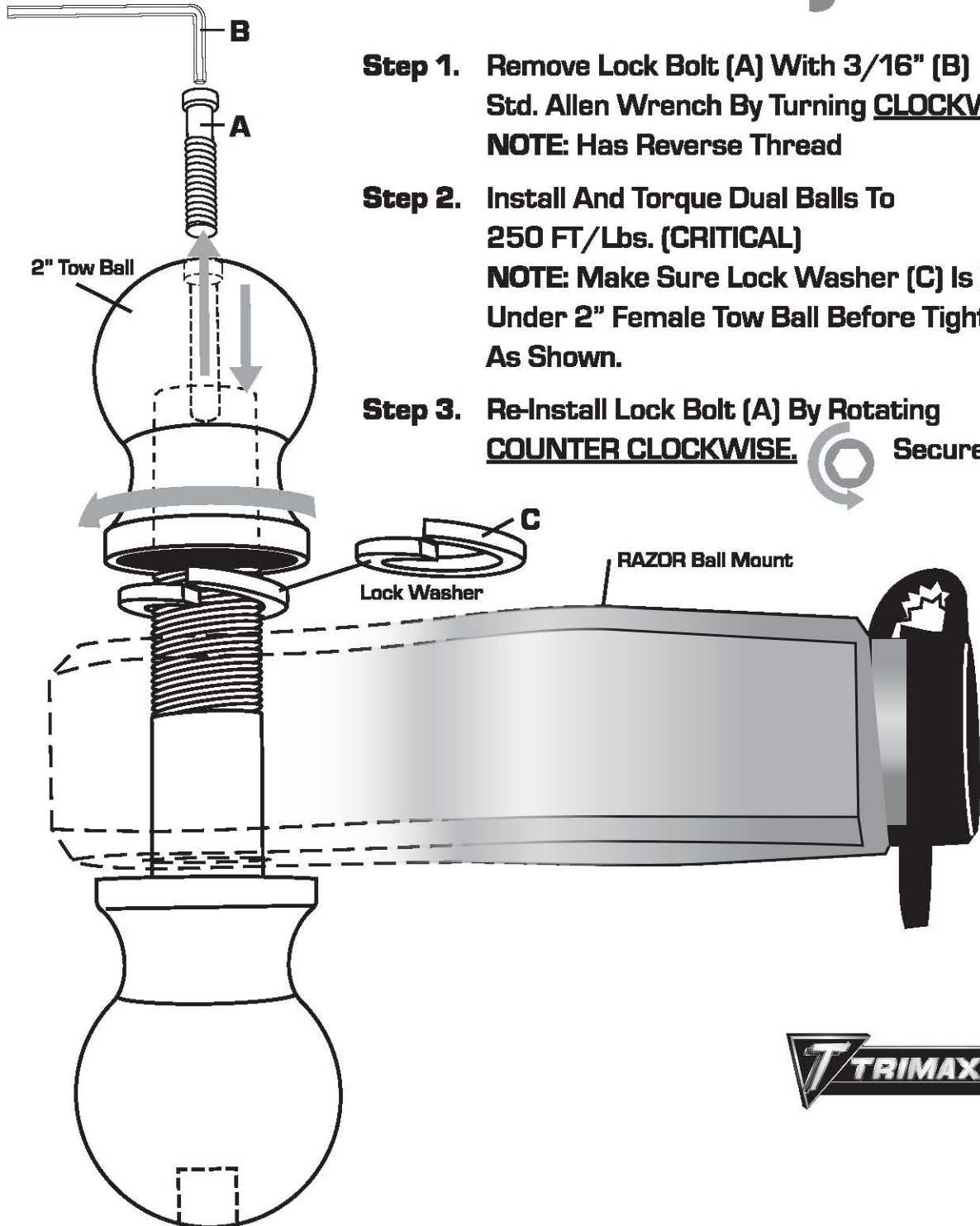
IMPORTANT NOTICE!



I.P. Series

Adjustable Hitch by TRIMAX

Tow Ball Assembly Guide



Step 1. Remove Lock Bolt (A) With 3/16" (B) Std. Allen Wrench By Turning **CLOCKWISE**. 
NOTE: Has Reverse Thread

Step 2. Install And Torque Dual Balls To 250 FT/Lbs. (**CRITICAL**)
NOTE: Make Sure Lock Washer (C) Is Installed Under 2" Female Tow Ball Before Tightening As Shown.

Step 3. Re-Install Lock Bolt (A) By Rotating **COUNTER CLOCKWISE**.  Secure Tightly!



Check out the collection of trailer hitches and towing we offer.