



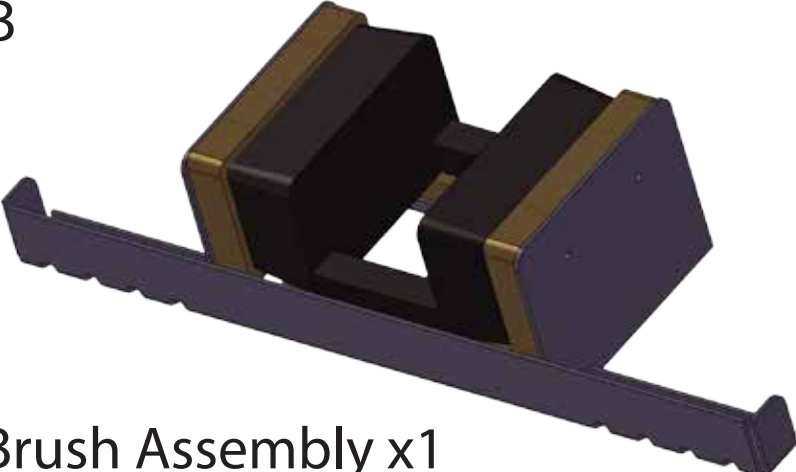



The **Mobile Boot Scraper**



This Product is Pending Patent

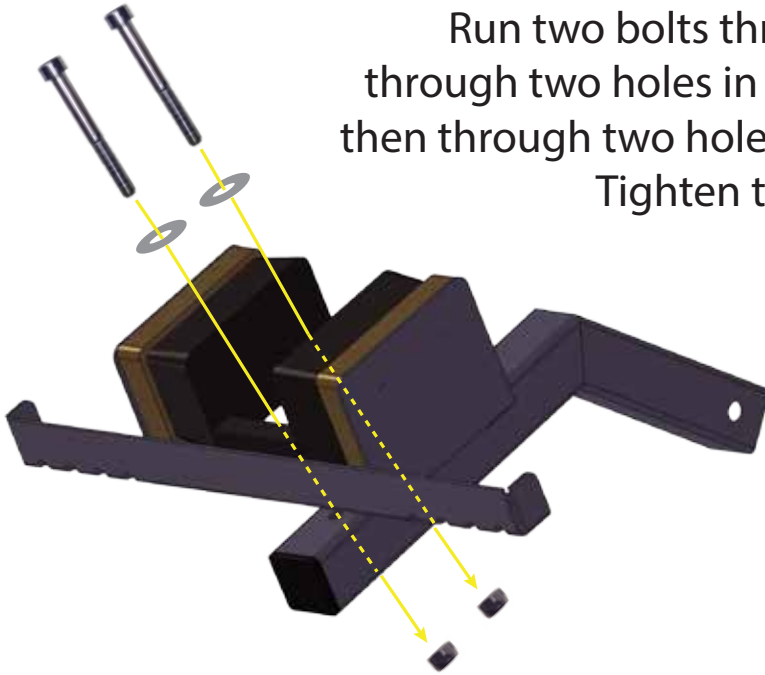
Instructions 5-120_151204

Mobile Boot Scraper Parts List

<p>B</p>  <p>Brush Assembly x1</p>
<p>A</p>  <p>Hitch Insert x1</p>
<p>C</p>  <p>Mount x1</p>
<p>D</p>  <p>Pin x1</p>

<p>E</p>  <p>Bolt x2</p>
<p>F</p>  <p>Washer x2</p>
<p>G</p>  <p>Nut x2</p>
<p>H</p>  <p>Concrete Screw x2</p>
<p>I</p>  <p>Wood Screw x2</p>
<p>J</p>  <p>Clevis x1</p>

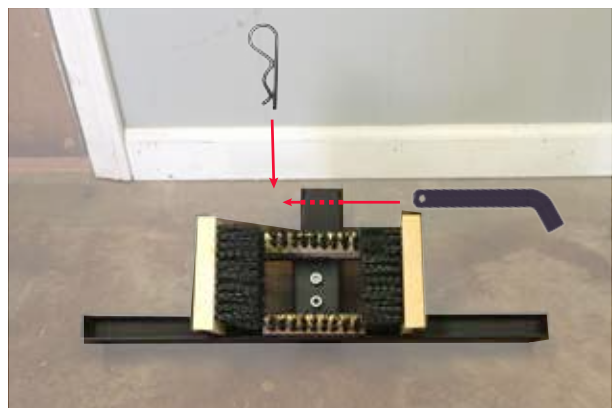
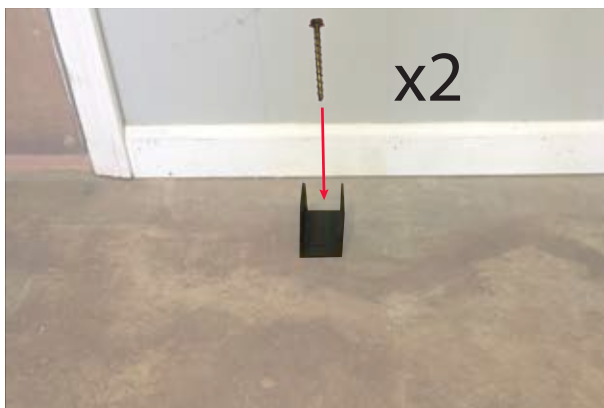
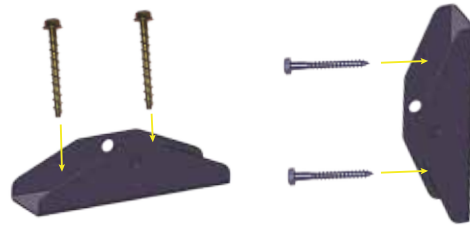
1 Bolt Brush Assembly onto Hitch Insert



Run two bolts through two washers, through two holes in (A) Brush Assembly then through two holes in (B) Hitch Insert. Tighten two nuts onto bolts.

2 Screw Mount to Solid Surface

Secure the mount to either a floor or a wall using the appropriate screw for the material to which you are mounting.



Predrill holes in concrete or into wall stud. Tighten mount to floor or wall. Pin Brush Assembly to mount.

3 Secure to Vehicle

Slide Hitch Insert into hitch receiver (not included). Slide Pin through holes and snap clevis through hole on end of the pin.

Now...Stay Clean!



on the wall



on the four-wheeler



use as a step

Check out our Tailgate Ladder and other Truck Accessories!



Learn more about trailer hitches and towing we have.