

50- AND 80-GALLON REFUELING TANK INSTALLATION INSTRUCTION SHEET

Installation Sheet-931



FOREWORD

Thank you for purchasing a Transfer Flow refueling tank for your truck. Please read the following procedures carefully before starting the installation.

This manual provides the necessary information for the installation of the Transfer Flow refueling tank onto your vehicle. All the information and instructions contained in this document are based on our annual model year signoff. We update our instruction sheets based on information obtained during this model year signoff and information provided by OEM companies and our customers. Changes to installation instructions may be made at any time without notice.

Transfer Flow fuel systems and parts are intended to be used in conjunction with original manufacturer's equipment or Transfer Flow systems and components.

Our systems and components are not intended to be used in conjunction with other aftermarket fuel tanks. Attempting to use our products inappropriately may lead to malfunction and voids the warranty.

NOTICE

This product is protected by state common law, copyright and/or patent. All legal rights therein are reserved. The design, layout, dimensions, geometry, and engineering features shown in this product are the exclusive property of Transfer Flow. This product may not be copied or duplicated in whole or part, abstractly or fundamentally, intentionally or fortuitously, nor shall any design, dimension, or other information be incorporated into any product or apparatus without prior written consent of Transfer Flow.

Transfer Flow fuel systems and parts are intended to be used in conjunction with original manufacturer's equipment or Transfer Flow systems and components.

Our systems and components are not intended to be used in conjunction with other aftermarket systems. Attempting to use our products inappropriately may lead to malfunction and voids the warranty. To ensure that your transfer flow products perform appropriately for many years to come, we ask that you follow these guidelines.



SAFETY NOTES

Please read installation instructions before beginning the installation of the Transfer Flow refueling tank.

Transfer Flow refueling tanks are designed for use on stock OEM vehicles. We do our best to foresee how our customers will use and modify their vehicles, but unfortunately, we cannot verify all aftermarket modifications. If your vehicle has had any modifications to the chassis, suspension, fuel system, truck bed, or wheel/tire size is different than stock, please call Transfer Flow before installing one of our fuel systems.

- Work in a well-ventilated area.
- Always wear safety glasses.
- The Transfer Flow refueling tank is heavy, please use proper lifting techniques when handling tank.



CAUTION: DO NOT HAVE ANY OPEN FLAME OR HEAT SOURCE CLOSE TO THE INSTALLATION AREA.



CAUTION: DO NOT OVER FILL.

PLEASE READ THE FOLLOWING PROCEDURES CAREFULLY BEFORE STARTING THE INSTALLATION.



TOOLS & SUPPLIES REQUIREMENTS

Before starting the installation process, review the entire installation instructions.

Tool List:

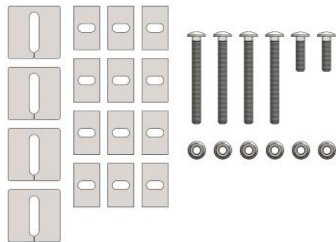
- Sharpie® Marker or Paint Pen
- Long 1/8" drill bit
- 9/16" Drill Bit
- 3/4" Socket
- 0-50 ft/lb Torque Wrench
- Ratchets to fit above socket
- Extensions
- Telescoping Magnetic Pickup Tool

PARTS LIST/DIAGRAM

Before beginning installation, verify all parts listed below are included in the installation kit.

Parts List:

- Installation Sheet (IS-931)
- Refueling Tank
- Mounting Kit
 - 1/2"-13 x 2" Carriage Bolt (2x)
 - 1/2"-13 x 5" Carriage Bolt (4x)
 - 1/2"-13 Flange Nut (6x)
 - 3" x 3" Washer (4x)
 - 1 1/2" x 2 1/2" Washer (12x)



INSTALLATION INSTRUCTIONS

SECTION 1: Preparing the Refueling Tank

Pre-Position the Tank in the Bed of the Truck

1. Place the tank in the bed of the truck. The tank should be spaced about 1” away from the head gate and centered between the bed rails.
2. Mark the mounting holes with a Sharpie® marker or paint pen. If you cannot reach the mounting tabs near the cab, attach the Sharpie® marker or paint pen to a long stick with some electrical tape.
3. Remove the tank from the mounting area.
4. Measure the mounting hole locations using the head gate and bed corrugations as reference lines.
5. Crawl under the truck.
6. Measure and mark the bed mounting holes on the bottom side of the bed. Use the head gate and bed corrugations for reference.
7. Make sure the bolts have clearance and will not interfere or damage any surrounding hoses or electrical.

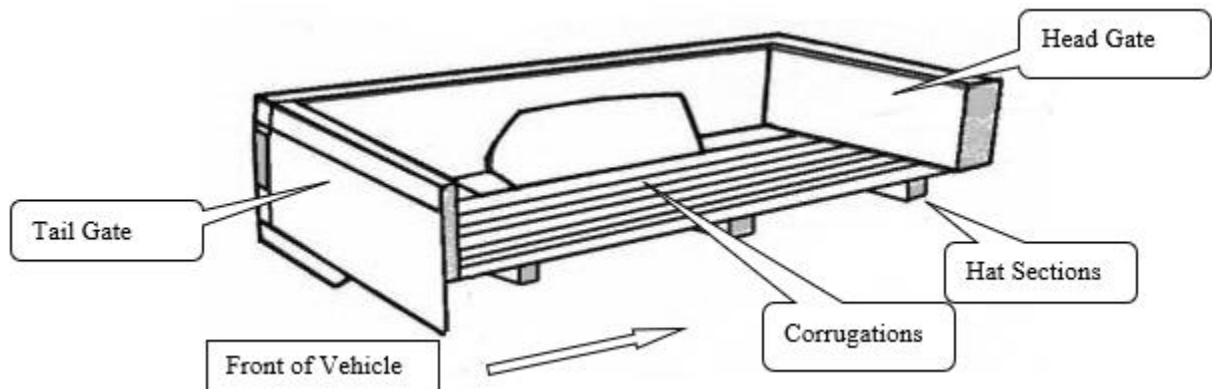
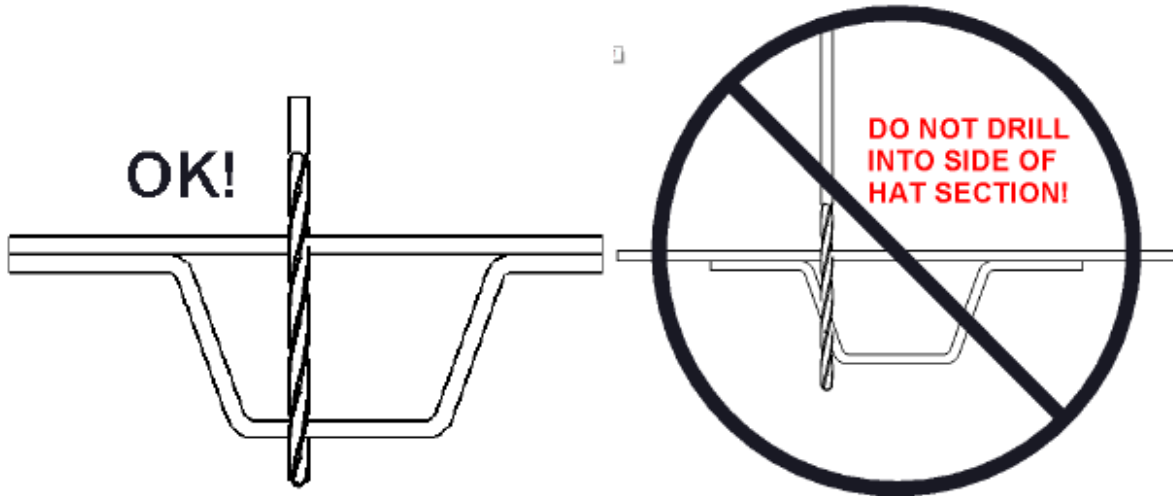


Figure 1: This cutaway drawing shows the head gate and bed corrugations.



8. Look at the marks you have created and make sure that a 1/2" bolt with the provided large shims will fit in the area you have marked. It is OK to drill through the hat section of the bed, do not drill through the tall edge of the hat section. Make sure that your drilled hole will pierce through the flat area of the hat section.



9. Move any wires, hoses or obstructions that may be scarred by a drill bit.
10. If you have any doubts of tank location, double check your measurements and reposition tank if needed. If you move the tank you will need to remark the holes on the underside and double check your measurements once again.
11. Get ready to start drilling (you will be drilling from the top down).

SECTION 2: Mount the Refueling Tank

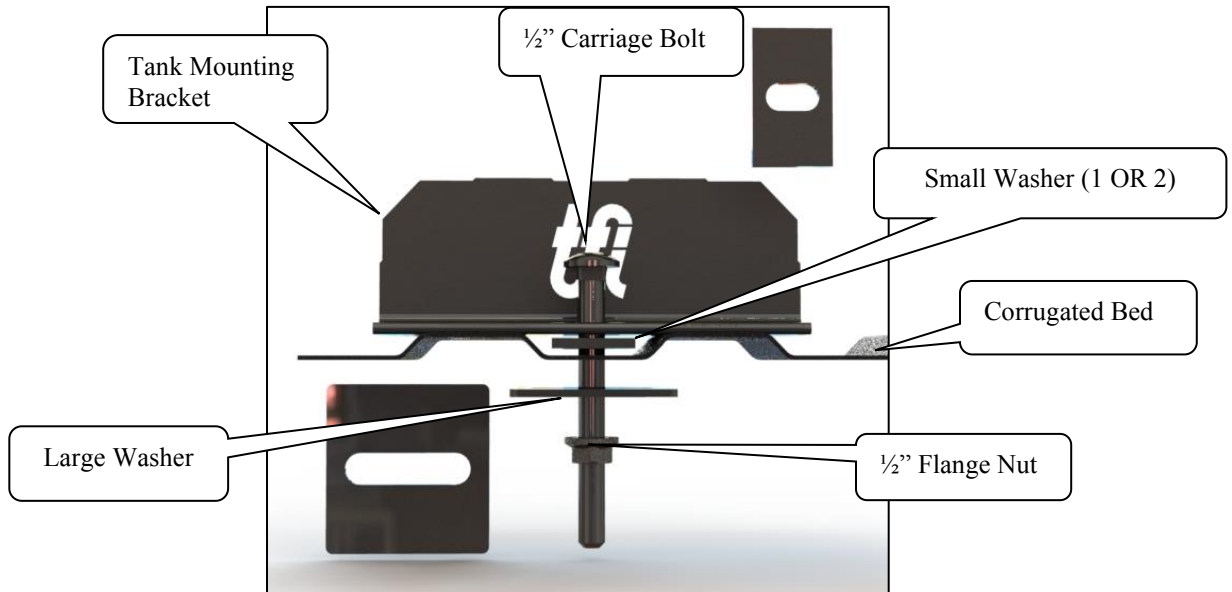
NOTE: The tank cannot be installed on a plastic bed liner insert or bed carpeting. The section the tank sits on, or the entire liner will need to be removed.

12. Drill tank mounting pilot holes with a long 1/8" drill bit. Verify that the pilot holes came through where marked underneath.
13. Enlarge the tank mounting holes, drilled prior with the 1/8" drill bit with a 9/16" drill bit.
14. Place the tank in its final position



15. Place shims under the mounting brackets to prevent the corrugations from collapsing. It may be necessary to cut the shim to properly fit some pickup boxes. See the drawing below.

NOTE: Make sure tank is sitting on the bed corrugations, and not on the shims between the bed corrugations



16. Insert the 1/2" carriage head bolts through the mounting brackets and bed.

17. Secure fasteners with washers and nuts. Torque the nuts to 32 ft-lbs.

NOTE: On some vehicles it may be necessary to install the carriage bolt from under the truck. Place one shim on the head side of the bolt before installing in the bed hole. On the tank feet use one shim and the 1/2" flange nut to secure the tank.

Double check your work: At this point the refueling tank should be secured in the bed and all the hardware should be properly torqued.

