



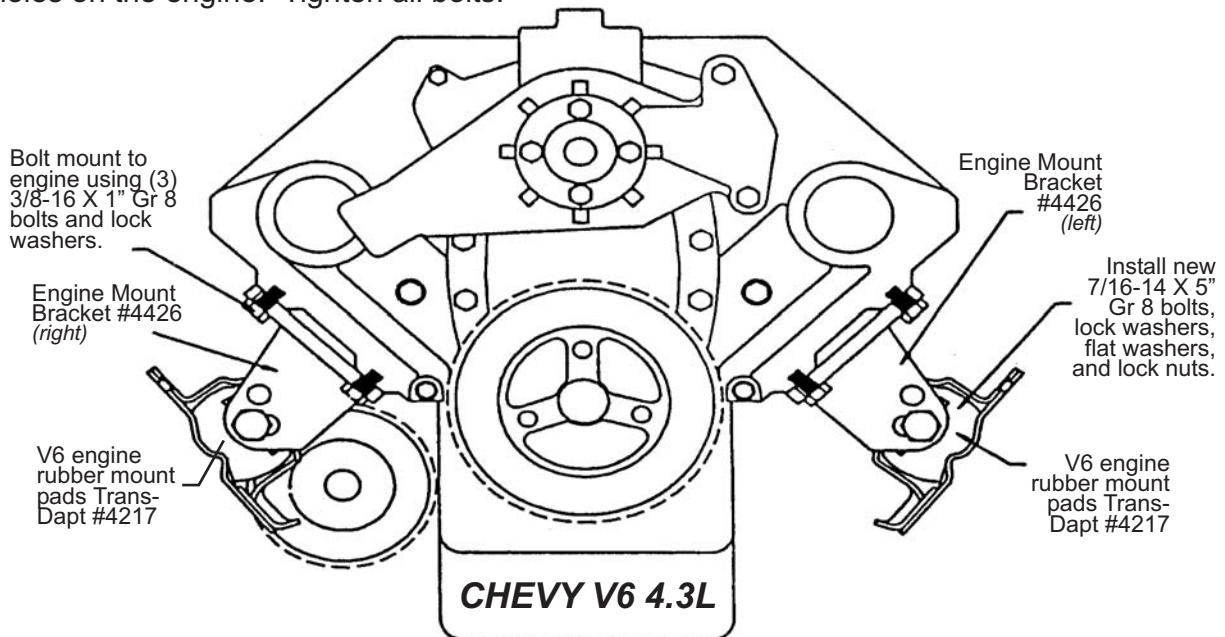
PART# 4606 & 4626
MOTOR MOUNT BRACKETS
 (4606 WITH PADS)

CHEVY 4.3L V6 ENGINE INTO 2.2 OR 2.8L
TWO-WHEEL DRIVE 1982-1999 CHEVY S-10 & GMC S-15

THIS KIT INCLUDES:		
Qty.	Part No.	Description
1	4626	Pair of Engine Mount Bracket
6	HDW366	3/8 - 16 x 1" Grade 8 Hex Head Bolts
6	HDW321	3/8" Lock Washers
2	HDW969	7/16" - 14 x 5" Grade 8 Head Bolts
2	HDW421	7/16" Flat Washers
2	HDW422	7/16" Lock Washers
2	HDW053	7/16" - 14 Lock Nuts
2	4217	Mount Pads (4606 Only)

INSTALLATION INSTRUCTIONS

These engine mounts are designed to bolt over the original S10 2.2 or 2.8L V6 engine rubber motor mounts. When used with the TH350 transmission or the original T4/T5 manual transmission, drive shaft modifications will not be required. The engine mounts work best by first installing the welded mount brackets over the V6 rubber motor mounts (leave engine bolts loose for adjustability later). Install the special 7/16" hex head bolt through the Trans-Dapt Performance Part #4217 motor mount. Once the mounts are installed, the engine can then be positioned into the chassis for final assembly using the slotted holes on the engine. Tighten all bolts.



Special Note: The components packaged in this kit have been assembled and machined for a specific type of conversion. Modifications to any of the components will void any possible warranty or return privileges. If you do not fully understand modifications or changes that will be required to complete your conversion, we strongly recommend that you contact our sales department for more information. This instruction sheet is only to be used for the assembly of Trans-Dapt Performance components. We recommend that a service manual pertaining to your vehicle be obtained for specific torque values, wiring diagrams and other related equipment. These manuals are normally available at automotive dealerships and parts stores.