



PART#4516
MOTOR MOUNT KIT (Mount Brackets & Pads)

PART#4536
MOTOR MOUNT BRACKETS (NO Pads)

**LS-1, LS2, LS-6 5.7L or Vortec 4.8, 5.3 or 6.0L ENGINE INTO A
 1982-2003 2.2L or 2.8L CHEVY S-10 OR GMC S-15 (2WD Only)**

THIS KIT INCLUDES:

Qty.	Part No.	Description	Qty.	Part No.	Description
1	4536	Pair of Engine Mount Brackets	2	HDW422	7/16" Lock Washers
8	HDW959	10mm-1.5X30mm Grade 8 Hex Bolts	2	HDW053	7/16" - 14 Lock Nuts
2	HDW969	7/16" - 14 x 5" Grade 8 Hex Bolts	2	4217	Mount Pads (4516 Only)
2	HDW421	7/16" Flat Washers			

Note: This motor mount kit (or bracket set) is for use during the installation of an LS-1, LS-6, or Vortec V8 into the vehicles listed above. The use of properly configured engine mounts is only one of many aspects of this engine swap. Modification to various components (i.e. firewall, transmission crossmember), or the use of special aftermarket products designed for this engine swap will be required. This instruction sheet addresses the safe, and proper installation of Trans-Dapt's motor mount kit only. For comprehensive, step-by-step directions, and useful tips for performing this complex project, we recommend the use of a V8 engine swap how-to guide.

Important Information Regarding Engine Position

These motor mount brackets offer two engine height positions. The bottom hole is for stock engine height. The slotted hole raises the engine position by 1" to provide additional ground, firewall and header clearances. To use the stock engine position the brackets must be modified as shown below. (figure A)

**#4516
 INSTALLATION INSTRUCTIONS**

Bolt the new motor mount pads to the stock location on the frame. Do not install the brackets directly to the engine at this time. Bolt the mounting brackets to the new pads using the 7/16"-14 X 5" hex head bolts, washers and lock nuts, included with the kit. The bolts go through the rubber mount pads, and the Trans-Dapt Performance engine mount brackets. Once the mount brackets are bolted to the rubber mounts, the engine can then be positioned into the chassis, and the mounting brackets can be bolted to the engine block for final assembly.

1985-1993 Models

1985-93 model frameraills have tapped holes, which make bolting the pads to the chassis easy. For vehicles without tapped holes, either disassemble the "A" arm assembly, or cut a small access hole on the backside of the crossmember. This will provide clearance for both a wrench and a nut.

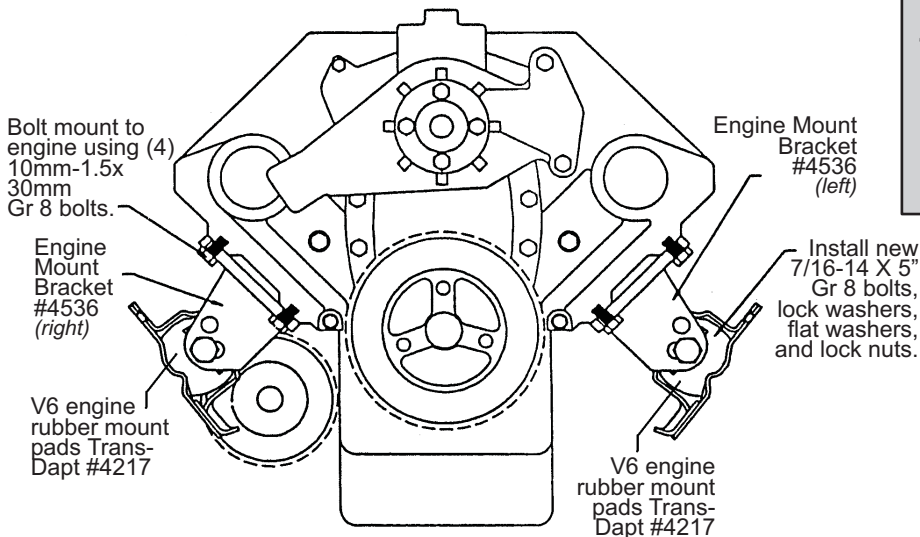
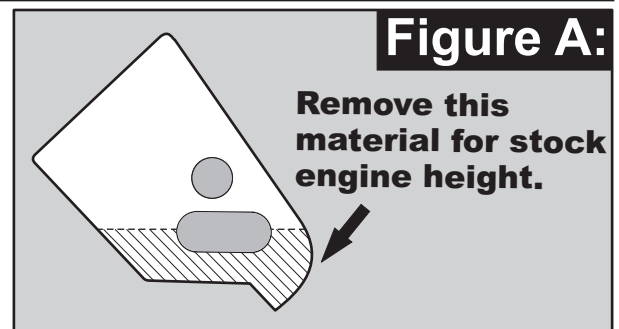
**#4536
 INSTALLATION INSTRUCTIONS**

These Trans-Dapt Performance engine mount brackets install using the stock 2.8 liter V6 engine rubber mount pads.

Install the mounting brackets following the instructions for the Trans-Dapt Performance engine mount brackets #4516 on this page substituting your stock 2.8L V6 mount pads for the Trans-Dapt #4217 mount pads. It may be necessary to grind the small metal tabs on either side of the stock mount pads to fit the Trans-Dapt

2.2L 4 Cylinder Models

If you are installing the V8 into a 2.2L 4 cylinder model, you will need a set of Trans-Dapt #4217 mount pads.



IMPORTANT

This product has been designed for a specific application combination. Modifications to any of the components will void the product warranty and return privileges.