



## Wireless Winch Remote Control

Part No: WA019



Fits: TrailFX Winches - W08B, W10B, W12B, WS12B, W35B, WS35B, W45B and WS45B



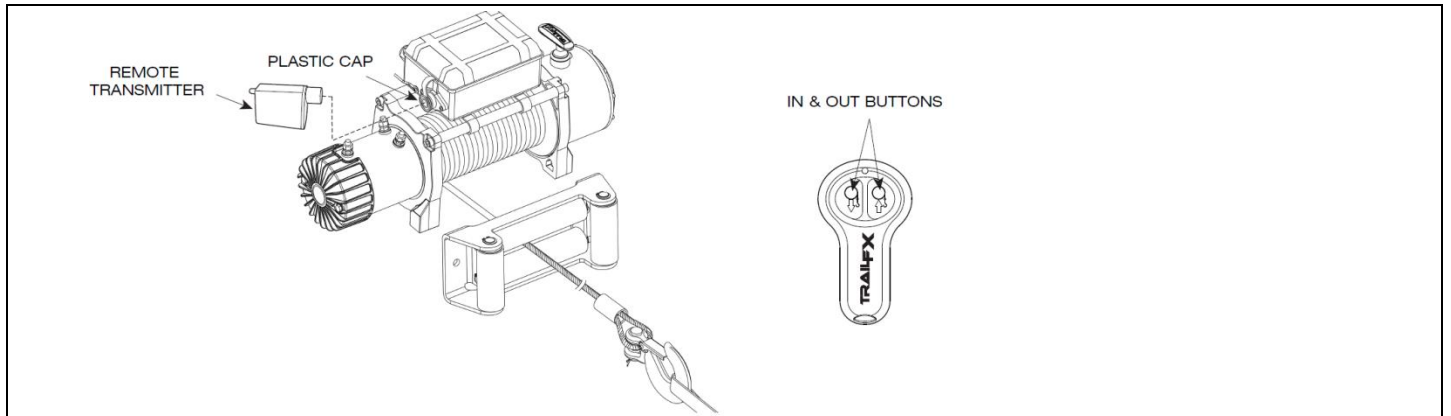
READ INSTRUCTIONS CAREFULLY BEFORE STARTING INSTALLATION.

### INSTRUCTIONS:

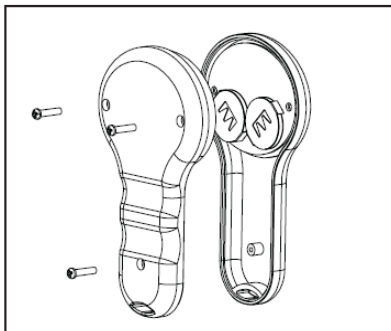
1. Remove plastic cap.
2. Plug the remote transmitter into the control box.
3. Remote Operation.

To power ON remote, press both buttons together until LED light turns ON.

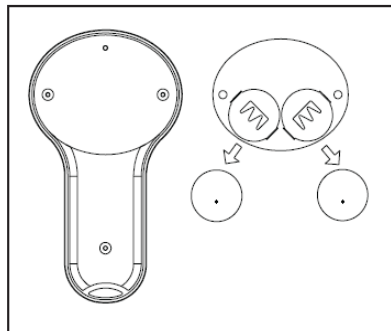
To power OFF remote, press both buttons together until LED light turns OFF.



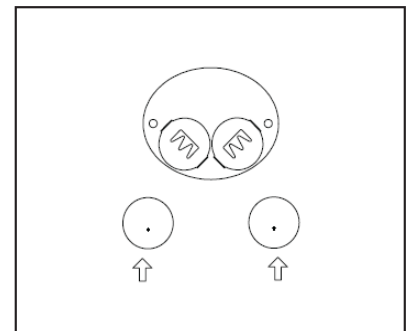
### How to Replace the Batteries:



**a.** Open the back cover.



**b.** Remove the existing batteries.



**c.** Insert the new batteries. Replacement batteries should be 3.0 volt button cell lithium batteries equivalent to CR2032.