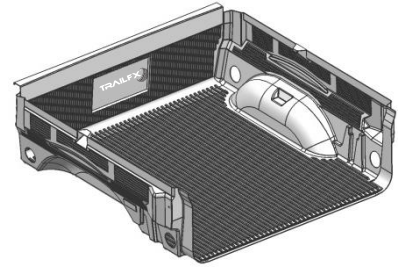




DODGE RAM DT UNDER RAIL BEDLINER & TAILGATE



Part No. 22031X, 22032X, TG08X



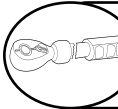
DO NOT OVER TIGHTEN AS SCREWS CAN BE STRIPPED OUT.



REMOVE CONTENTS FROM BOX. VERIFY ALL PARTS ARE PRESENT.



READ INSTRUCTIONS CAREFULLY BEFORE STARTING INSTALLATION.



DO NOT OVER TORQUE. STANDARD OPERATING LOAD FOR TIGHTENED BODY MOUNT NUTS & BOLTS VARIES FROM 45 TO 65 FOOT POUND.



30-60 min



Cutting Required



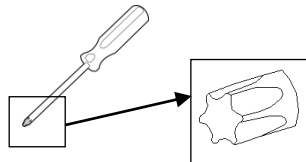
Drilling Required

Tools Required

T30 Torx Head Driver

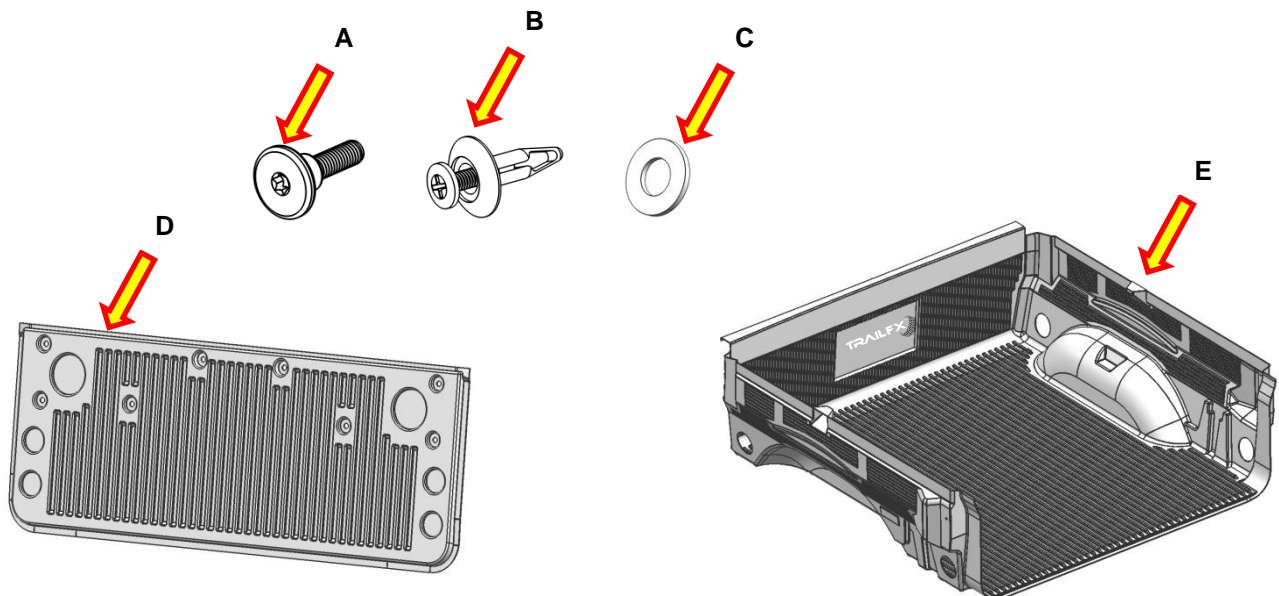
Drill and 3/4" Drill Bit

T30 Torx Head Driver



PARTS LIST:

Qty	Part Description	Qty	Part Description
8	Screw (A)	1	Tailgate liner (D)
2	Scrivet (B)	1	Bed liner (E)
2	Washer (C)		



1. INSTALLATION PREPARATION:

WARNING:

- Do not transport a pickup truck facing backward with a liner installed.
- Air can get under the liner which may result in the liner coming out of the truck and causing damage or injury.

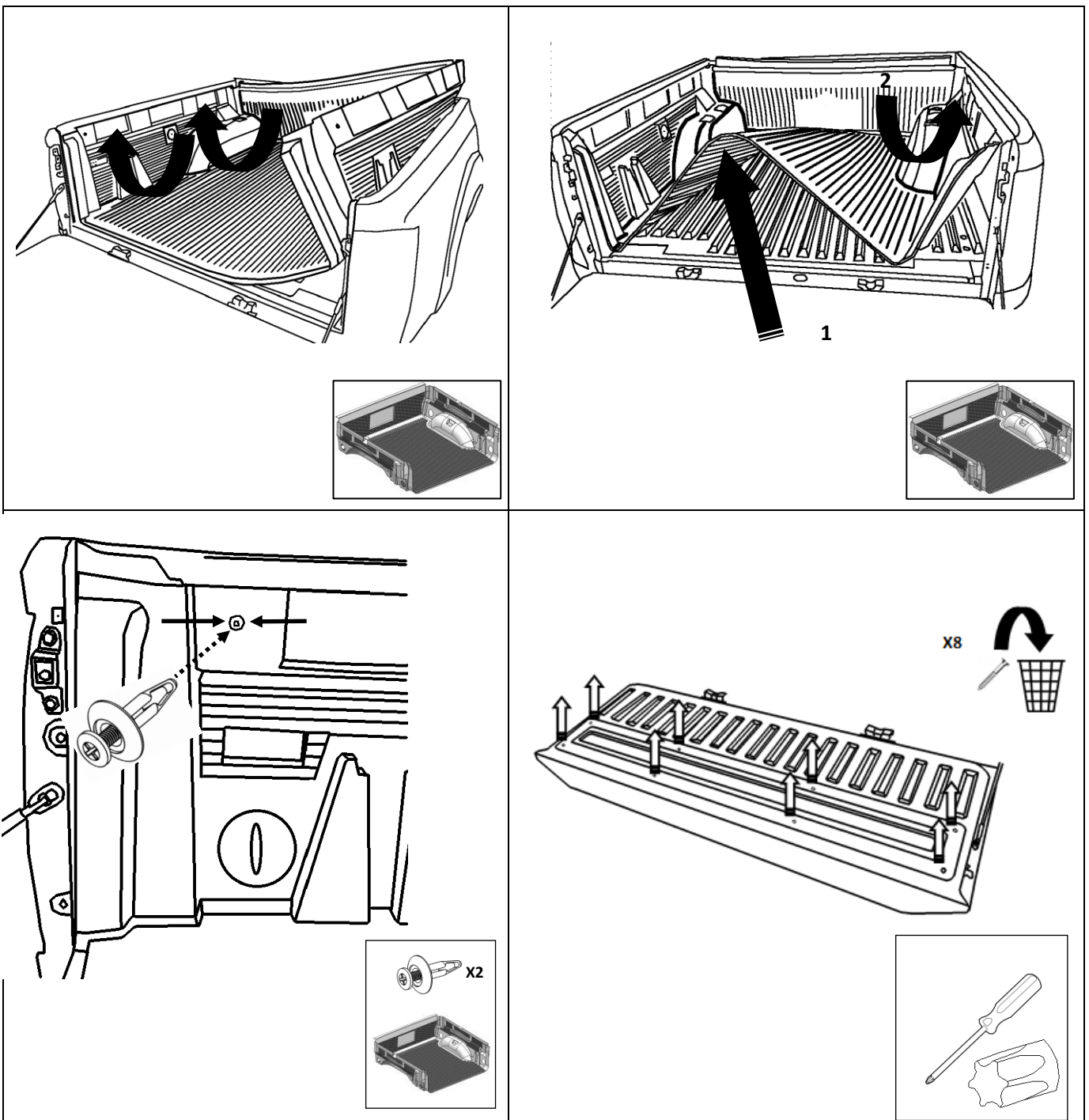
Truck Box Preparation:

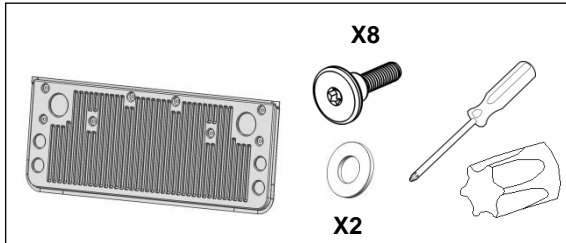
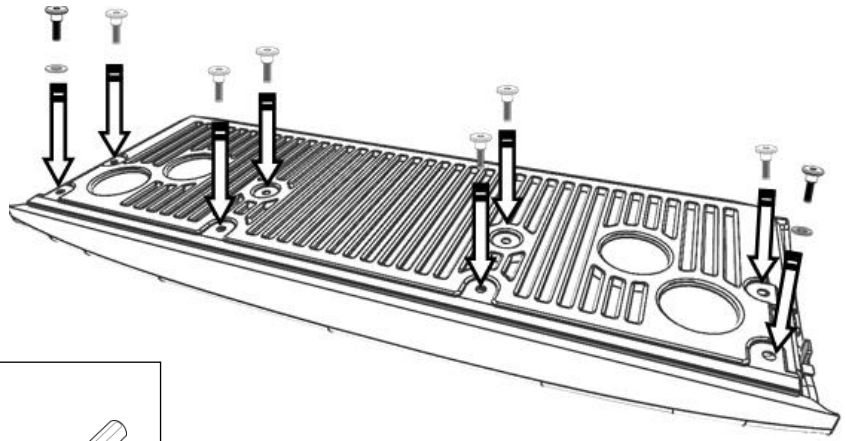
- Clean truck box of all foreign matter and open any floor drains to ensure ventilation and moisture drainage.

NOTE:

- Bed liner can be installed by one person. However, using two people is recommended by the manufacturer.

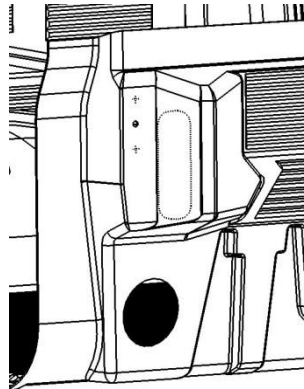
Instructions



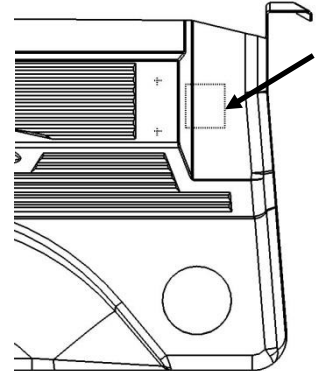


Modifications to bedliner for accessories

Cut opening at scribe lines for bed lamps.



Cut opening at scribe lines for cargo rails.



Drill 19mm holes at center of scribe lines for Cargo Rails.

Omit scrivenets in bedliner installation. Reinstall cargo rails over bedliner.

