



## BEDLINER & TAILGATE COVER



### Part No.

12014X	12014ZX	12016X	12016ZX	22014X	22014ZX	22014ZZX
22016X	22016ZX	22016ZZX	22017X	TG04X	TG12X	TG45X
TG58X	TG59X	TG95X				



Do not over tighten as screws can be stripped out.



30-60 min



CUTTING NOT  
REQUIRED



DRILLING  
REQUIRED



REMOVE CONTENTS FROM BOX. VERIFY ALL PARTS ARE PRESENT.



READ INSTRUCTIONS CAREFULLY BEFORE STARTING INSTALLATION.



DO NOT OVER TORQUE. STANDARD OPERATING LOAD FOR TIGHTEN BODY MOUNT NUTS & BOLTS VARIES FROM 45 TO 65 FOOT POUND.

### Tools Required

T30 Torx Driver,

Phillips Head Screwdriver

### 1. INSTALLATION PROCEDURE:

#### WARNING:

- Do not transport a pickup truck facing backward with a liner installed.
- Air can get under the liner which may result in the liner coming out of the truck and causing damage or injury.

#### Truck Box Preparation:

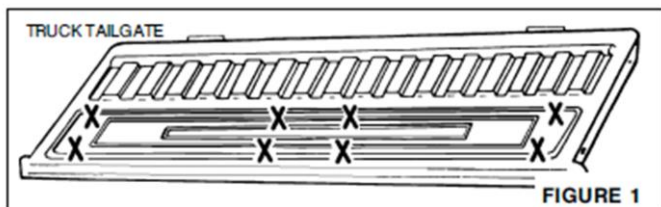
- Clean truck box of all foreign matter and open any floor drains to ensure ventilation and moisture drainage.

#### NOTE:

- Bed liner can be installed by one person. However, using two people is recommended by the manufacturer.

### 2. Tailgate Cover Installation Steps

**NOTE:** Your tailgate cover kit may have more or less hardware than shown.

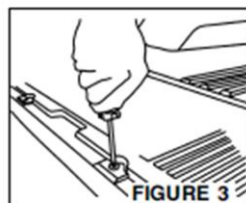
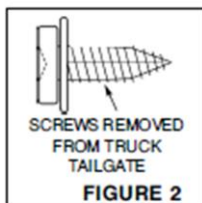


#### STEP 1 (FIGURE 1):

Using a T30 TORX Driver, remove and save eight (8) screws from truck tailgate. Remove only the screws indicated by "X".

#### STEP2

Place plastic Tailgate Cover on metal truck tailgate, lining up the holes in the plastic Tailgate Cover with holes in metal truck tailgate.

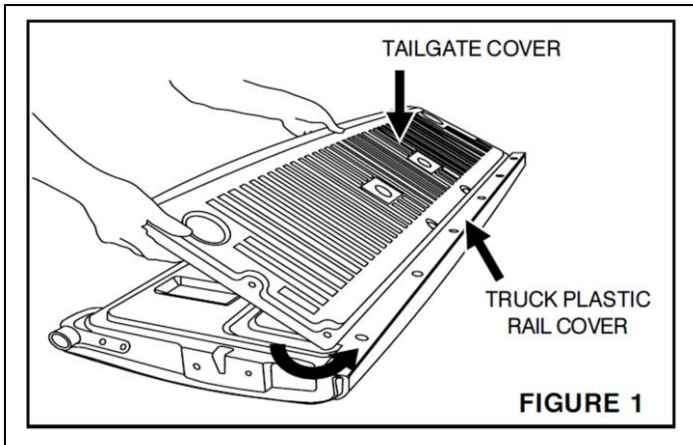


#### STEP 3 (FIGURE 3)

Use the eight (8) screws, removed in STEP 1, to fasten the Tailgate Cover to the tailgate with T30 TORX Driver.

**Do not over tighten  
DO NOT USE POWER TOOLS.**

## 2B. Toyota Tailgate Cover Installation Steps (without rails)



### STEP 1

Remove the 8 factory installed screws from the truck tailgate (marked "X" in FIGURE 1, Section 2). Save for reinstallation.

### STEP 2

Center the tailgate cover (FIGURE 1) on truck tailgate. Tip tailgate cover on angle and slip upper edge under truck tailgate rail cover.

Line up pre-drilled holes in tailgate cover with the 8 holes in the truck tailgate.

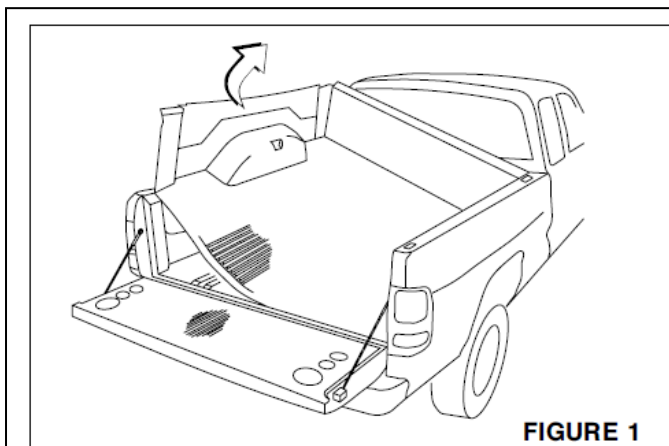
### STEP 3

Using screws previously removed, fasten tailgate cover to truck tailgate using a T30 Torx Driver.

**(NOTE: Some bedliners may not have front rail lip.)**

**CAUTION:** It is recommended that two (2) people install the bedliner to avoid damage to the painted surface of the truck.

## 3. Under Rail Bedliner Installation Steps



### STEP 1 (FIGURE 1)

Place bedliner in the truck bed, such that the front rail retainer fits over the front rail of the truck bed. While standing on the side of the truck, lift one side of the bedliner and slip the sidewall of the bedliner under the opposite wall of truck box.

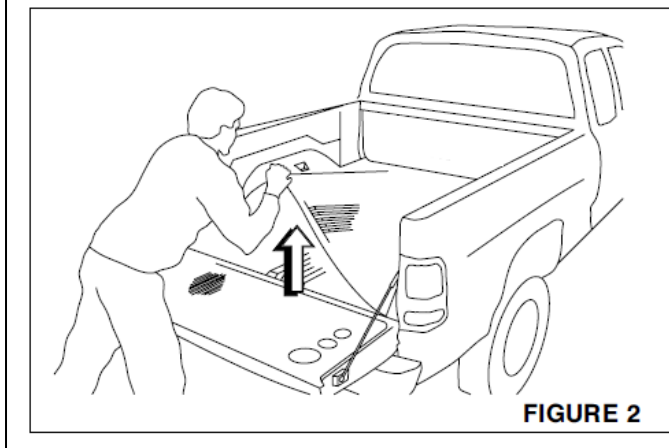
### STEP 2 (FIGURE 2)

While standing at the rear of the truck, lift the bedliner floor in the center. (FIGURE 2) This procedure allows the bedliner sidewall to rotate away from the bed rail. Have a 2nd person slip/lock the bedliner sidewall in position by applying a downward force. **NOTE:** Make sure that the raised liner locking tabs on the sidewalls are secured behind and under the side rail sheet metal of the truck box.

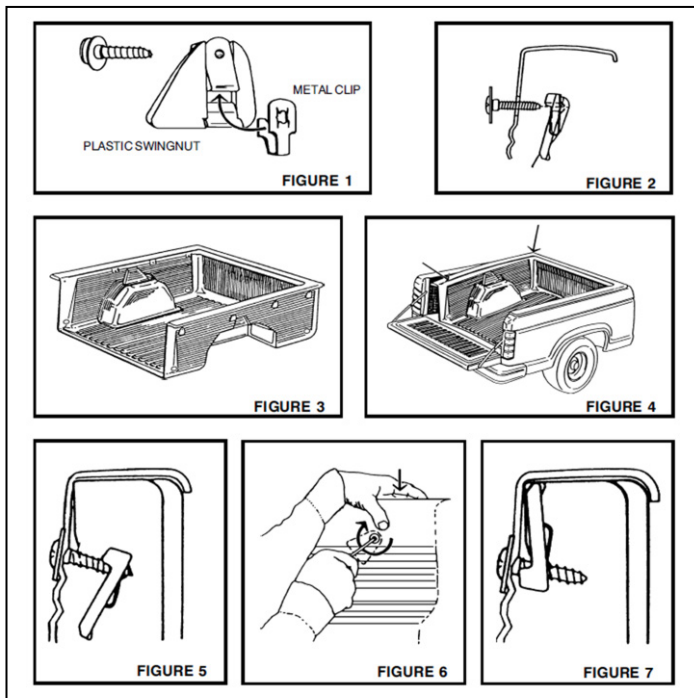
**(NOTE The bedliner has been designed to allow for expansion/contraction in extreme ambient temperatures. Therefore it is impossible to have a perfect fit at all times.)**

### STEP 3

Check the overall fit. It is important that the bedliner fits securely in place under the bed rails. If necessary, repeat steps 2 & 3.



## 4. Overrail Bedliner Installation Steps



### STEP 1

#### With the Bedliner Out of Truck:

1. Assemble "Liner-Lok™" fasteners by sliding metal clip onto plastic swingnut (see FIGURE 1).
2. Insert screw through hole provided in bedliner side wall, with head of screw toward inside of truck bed.
3. Position "Liner-Lok™" fastener with side "A" towards screw tip (see FIGURE 2).
4. Insert screw tip into hole and metal clip of fastener and turn one or two rotations, or until tip of screw is engaged into fastener.
5. Repeat "Liner-Lok™" fastener assembly to remaining holes.

**IMPORTANT:** The "Liner-Lok™" must be in a loose downwardhanging position at this time. (see FIGURE 5)

### STEP 2

Repeat "Liner-Lok™" fastener assembly to remaining holes. STEP 2 Place bedliner with loosely hanging "Liner-Lok™" fasteners into truckbox. Pull the bedliner rails away from truck rails and push downward starting at front corner, until forward "Liner-Loks™" slip under the truck rails. Make certain that all "Liner-Lok™" fasteners have slipped under the truck rails before tightening (see FIGURES 3, 4 & 5).

### STEP 3

Close tailgate. Adjust bedliner if needed.

### STEP 4

Standing or kneeling on bedliner in truck box:

1. Start at either front (cab end) corner and push downward on bedliner rail while turning screw clockwise with screw driver (see FIGURE 6). You should "feel" the "Liner-Lok™" pivot upwards and stop. Continue turning the screw clockwise until tight (see FIGURE 7).
2. Move to opposite corner and repeat step 4 - 1.
3. Repeat step 4 - 1 to remaining "Liner-Loks™".

## **PRODUCT CARE**

- Sweep any dirt and debris out of the bed of the truck. Pick up any items that may scratch the liner, such as rocks or large sticks.
- Inspect Bed liner on frequent basis to identify any damages.
- Clean the product with mild soap / cleaner to remove stains.
- While washing Rinse bed and tailgate thoroughly until no soap runs off the truck.

## **FAQ's**

1. **Will the bed feel hotter than the rest of the truck?**  
*No, protective coating shall help to keep it cooler than truck.*
2. **Protective coating is used as an undercoating?**  
*Yes, it can be used.*
3. **Is protective coating environmentally friendly?**  
*Yes, there is no possible health hazard and it is environment friendly*
4. **Can I take it out Protective Coating?**  
*No, Protective coating is a permanent coating and can't be removed.*
5. **Does the lining require special maintenance?**  
*No, it can be cleaned up with mild soap.*
6. **Missing / Excess Hardware.**  
*Recheck hardware count as per the part list.*
7. **Product not installing properly.**  
*Ensure make model year, cab length and bed size of your vehicle is listed in the application. All installation steps are followed correctly.*