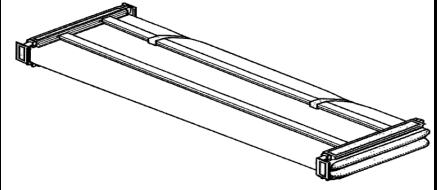




Soft and Hard Tri-Fold Tonneau Covers



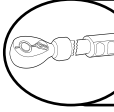
THE TRAIL FX TRIFOLD TONNEAU COMES FULLY ASSEMBLED



REMOVE CONTENTS FROM BOX. VERIFY ALL PARTS ARE PRESENT.



READ INSTRUCTIONS CAREFULLY BEFORE STARTING INSTALLATION.



DO NOT OVER TORQUE. STANDARD OPERATING LOAD FOR TIGHTEN BODY MOUNT NUTS & BOLTS VARIES FROM 45 TO 65 FOOT POUND.



10-15 min



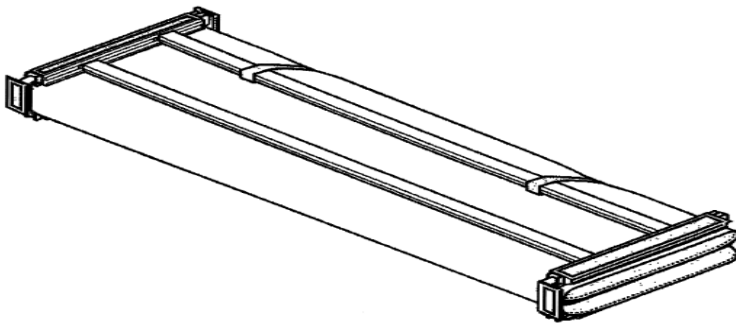
Cutting Not Required



Drilling Not Required

PARTS LIST:

Qty	Part Description	Qty	Part Description
1	Soft and Hard Trifold	1	Installation instructions



Soft and Hard Trifold

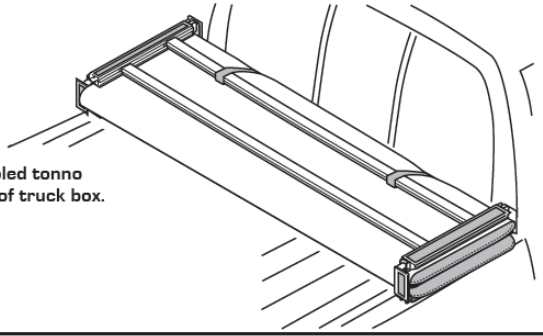


Installation Instructions

INSTALLATION PROCEDURE

STEP 1

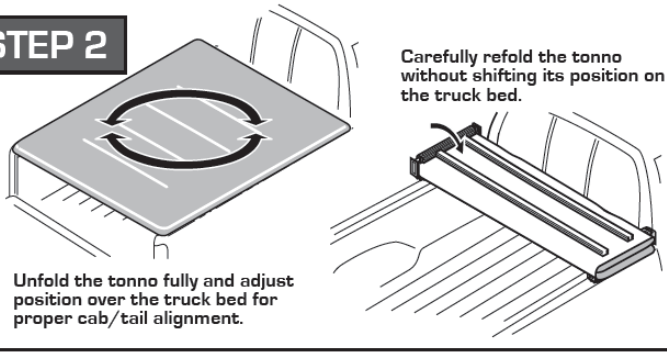
Place assembled tonno over cab end of truck box.



STEP 2

Unfold the tonno fully and adjust position over the truck bed for proper cab/tail alignment.

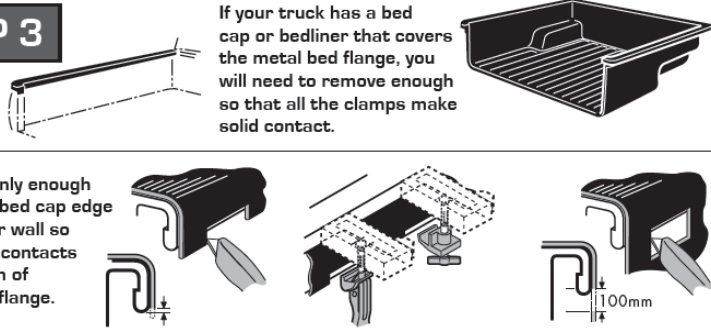
Carefully refold the tonno without shifting its position on the truck bed.



STEP 3

If your truck has a bed cap or bedliner that covers the metal bed flange, you will need to remove enough so that all the clamps make solid contact.

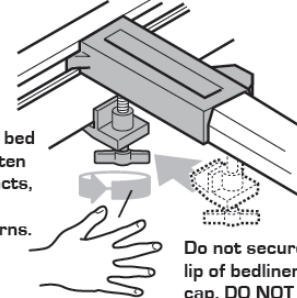
Trim only enough of the bed cap edge or liner wall so clamp contacts bottom of metal flange.



STEP 4

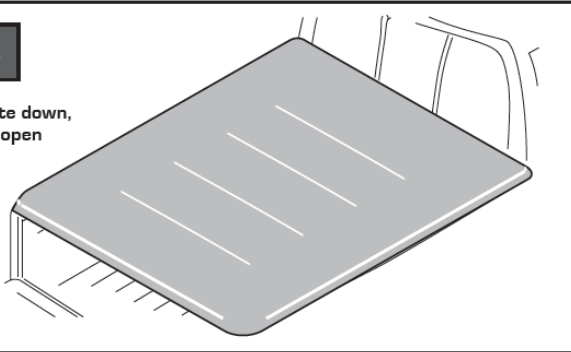
Ensure clamp is positioned under bed flange. Hand tighten until clamp contacts, then tighten an additional two turns.

Do not secure to only lip of bedliner or wall cap. **DO NOT** Use Wrench or Overtighten!



STEP 5

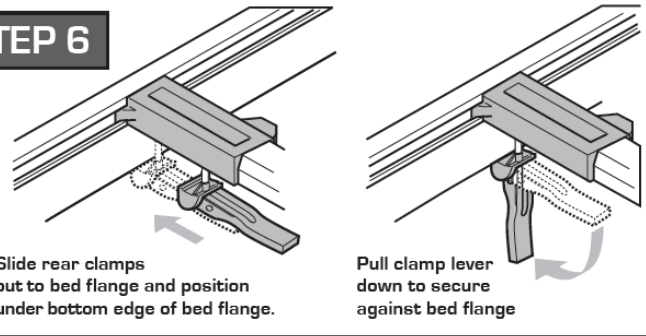
With tailgate down, completely open the tonno cover.



STEP 6

Slide rear clamps out to bed flange and position under bottom edge of bed flange.

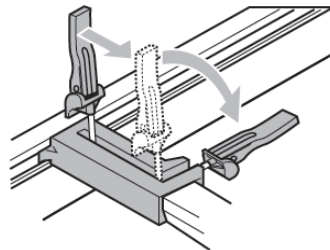
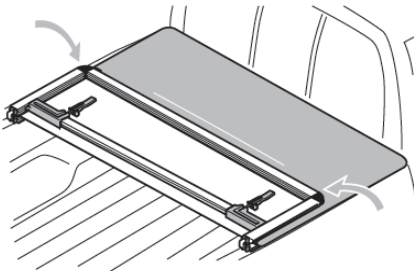
Pull clamp lever down to secure against bed flange



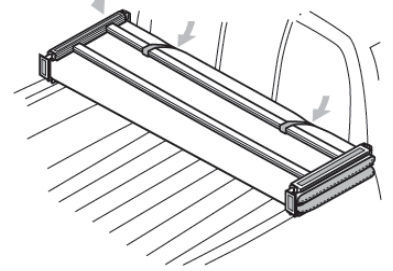
STEP 7

It is very convenient to drive with the Tri-Fold Tonno open. Release the rear clamps and fold the tonno forward.

Fold the tonno forward and fasten the straps in the middle section to front rail



IMPORTANT: Before folding the second section of tonno, rear clamps must be stowed into rail to prevent damage to fabric. **FAILURE TO STOW HANDLE WILL PUNCTURE TARP AND VOID WARRANTY.**



NOTE: Tarp can not be removed from aluminum frame. Attempting to do so will cause damage and void the warranty. Remove any snow or foreign matter before folding over.

