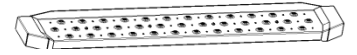




Running Board

Part No. RBW08B

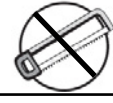


Fits: 1999 - Current

Ford F250/350/450/550 Super duty Crew Cab



60-180 min



Cutting Not Required



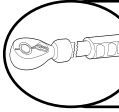
Drilling Not Required



REMOVE CONTENTS FROM BOX. VERIFY ALL PARTS ARE PRESENT.



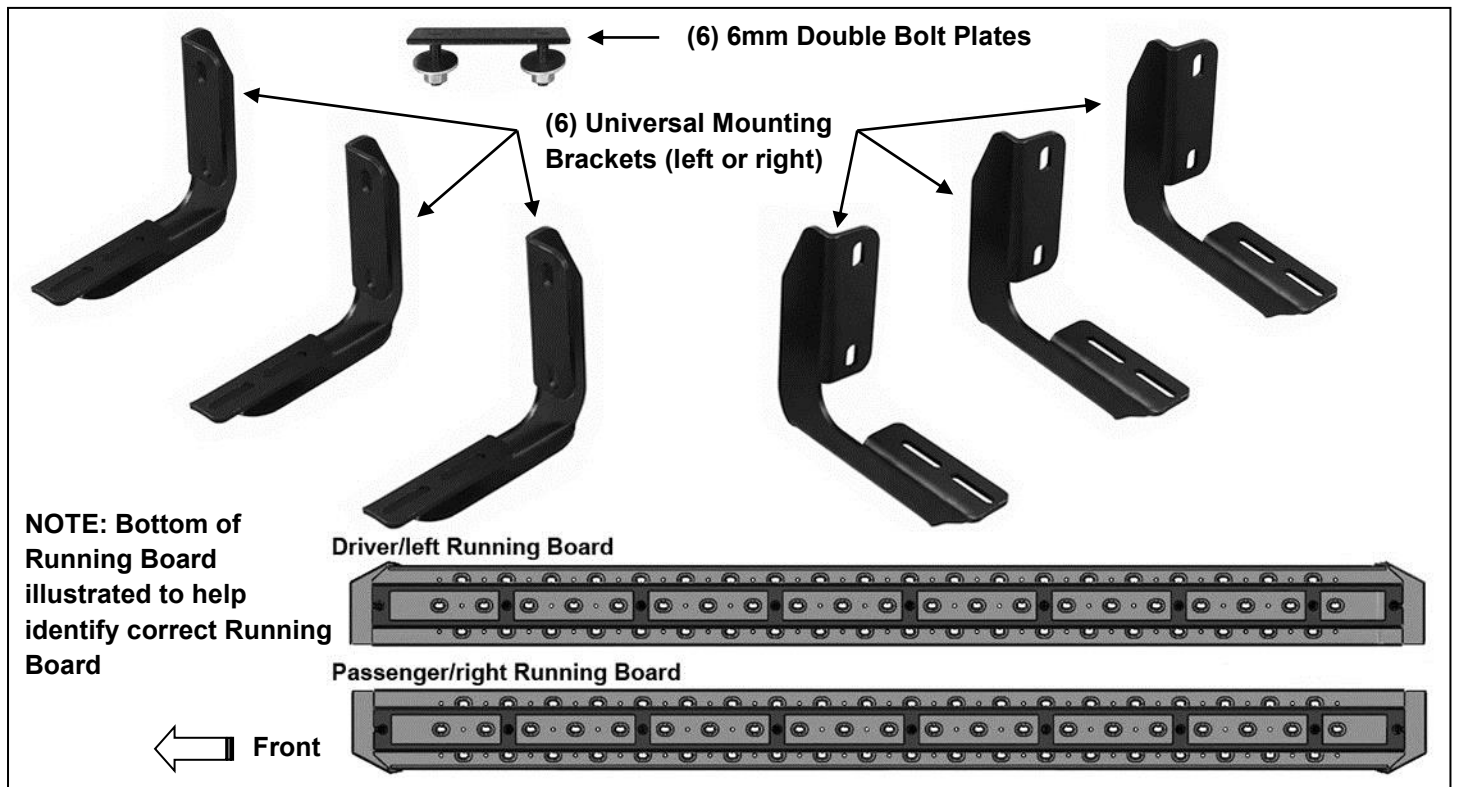
READ INSTRUCTIONS CAREFULLY BEFORE STARTING INSTALLATION.



DO NOT OVER TORQUE. STANDARD OPERATING LOAD FOR TIGHTEN BODY MOUNT NUTS & BOLTS VARIES FROM 45 TO 65 FOOT POUND.

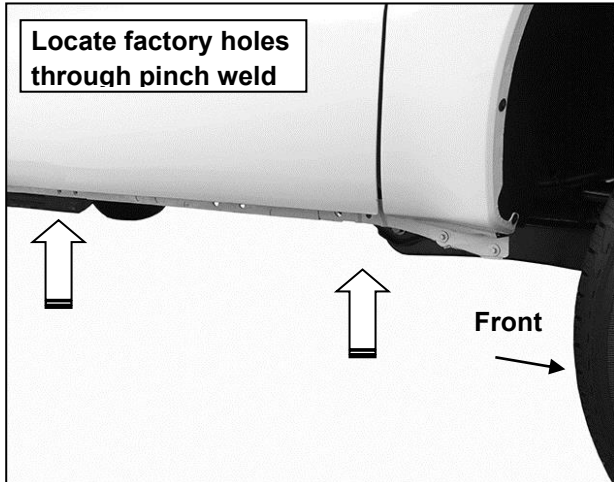
PARTS LIST:

Qty	Part Description	Qty	Part Description
1	Driver/left Steel Running Board	6	8mm Lock Washers
1	Passenger/right Steel Running Board	6	8-1.25mm Nylon Lock Nuts
6	Universal Mounting Brackets (left of right)	6	6mm Double Bolt Plates
6	8-1.25mm Clip-Nuts	12	6mm x 22mm OD x 2mm Flat Washers
12	8-1.25mm x 25mm Hex Bolts	12	6mm Lock Washers
18	8mm x 24mm x 2mm Flat Washer	12	6mm Hex Nuts

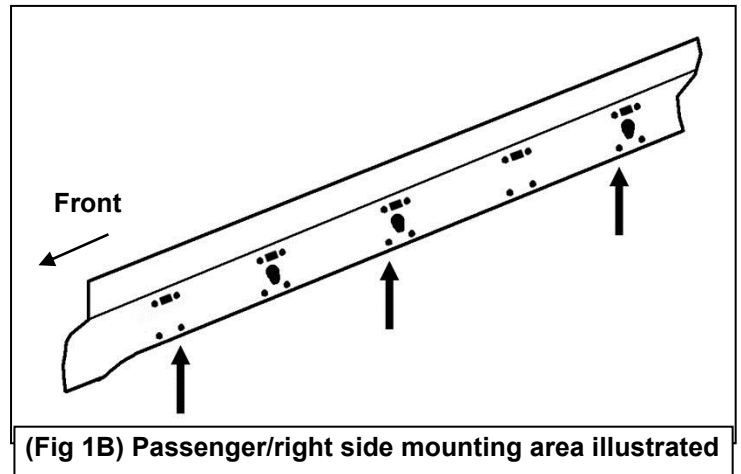


INSTALLATION PROCEDURE:

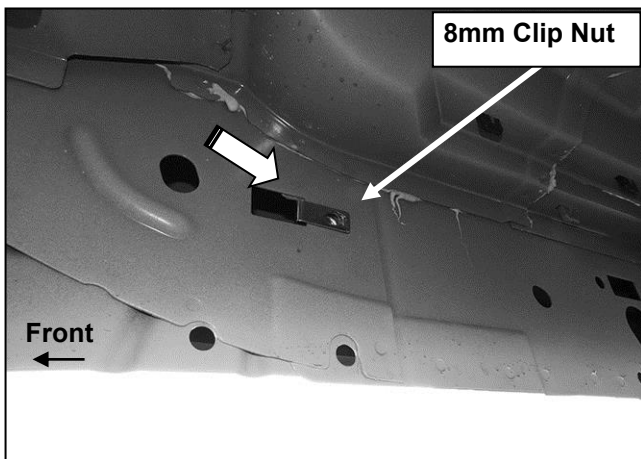
1. Starting on the front-passenger side of the vehicle, locate the (2) holes through the bottom of the body panel, (pinch weld-**Figure 1A**). Next locate the rectangular opening and (2) small holes in the inner body panel directly above the holes in the pinch weld, (**Figures 1B & 2**). **NOTE:** The holes in the inner panel may be covered with sealing tape or insulation, remove as required.
2. Slide (1) 8mm Clip Nut into the rectangular opening with the nut towards the inside. Line up the threaded nut on the clip with the round hole toward the rear, (**Figure 2**).



(Fig 1A) Passenger/right front and center locations

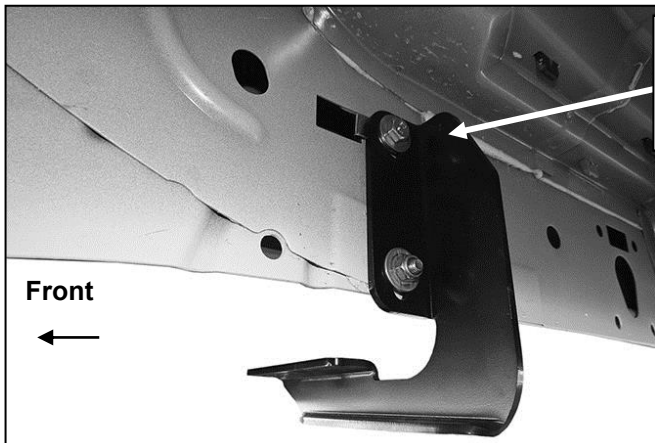


(Fig 1B) Passenger/right side mounting area illustrated



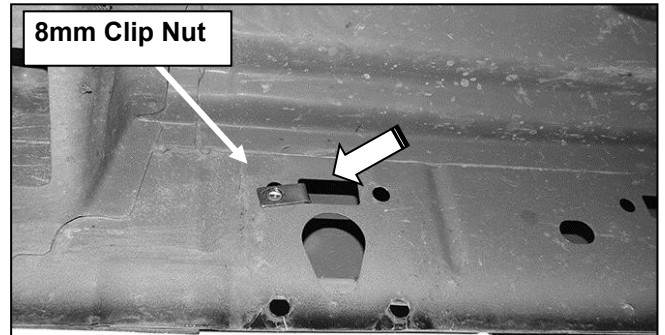
(Fig 2) Slide 8mm Clip Nut into rectangular opening

3. Select (1) Mounting Bracket. Attach the top of the Bracket to the Clip Nut with (1) 8mm x 25mm Hex Bolt, (1) 8mm Lock Washer and (1) 8mm Flat Washer, (**Figure 3**). Leave loose at this time. Line up the lower hole in the Bracket with the hole through the pinch weld. Bolt the Bracket to the pinch weld with (1) 8mm x 25mm Hex Bolt, (2) 8mm Flat Washers and (1) 8mm Nylon Lock Nut, (**Figure 3**). Snug but do not fully tighten Bracket hardware.
4. Move to the center mounting location, (**Figure 4**). **NOTE:** There are (5) factory mounting locations along the inner body panel. Installation will use the 1st, 3rd and 5th mounting locations only. Refer to **Figures 1A & 1B** to help identify the correct locations. Repeat **Steps 2—4** to install the center Bracket in the forward set of mounting holes, (**Figure 5**).
5. Move toward the rear of the cab. Locate the last pair of holes along the pinch weld, (**Figure 6**). Use **Figure 1B** to determine the correct mounting location for the rear Bracket. Repeat **Steps 2—4** to install (1) Mounting Bracket in the forward pair of holes in the rear location, (**Figure 7**).



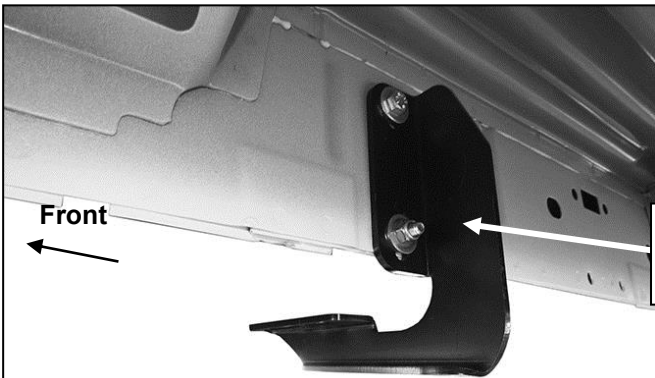
8mm Clip Nut
8mm x 25mm Hex Bolt
8mm Lock Washer
8mm Flat Washer

(Fig 3) Passenger/right front Bracket installed



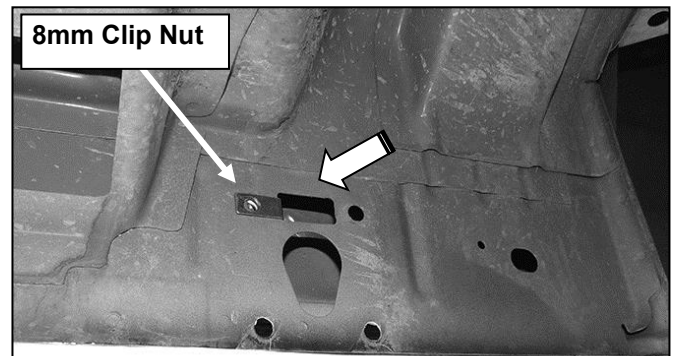
8mm Clip Nut

(Fig 4) Passenger/right center location



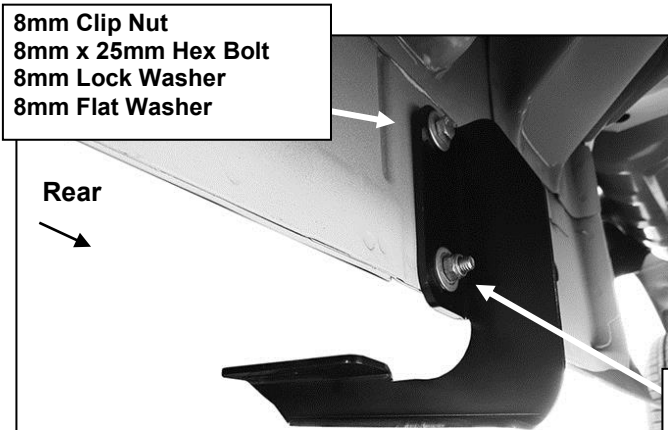
8mm x 25mm Hex Bolt
(2) 8mm Flat Washers
8mm Nylon Lock Nut

(Fig 5) Passenger/right center Bracket installed



8mm Clip Nut

(Fig 6) Passenger/right rear mounting location



8mm Clip Nut
8mm x 25mm Hex Bolt
8mm Lock Washer
8mm Flat Washer

8mm x 25mm Hex Bolt
(2) 8mm Flat Washers
8mm Nylon Lock Nut

(Fig 7) Passenger/right rear Bracket installed

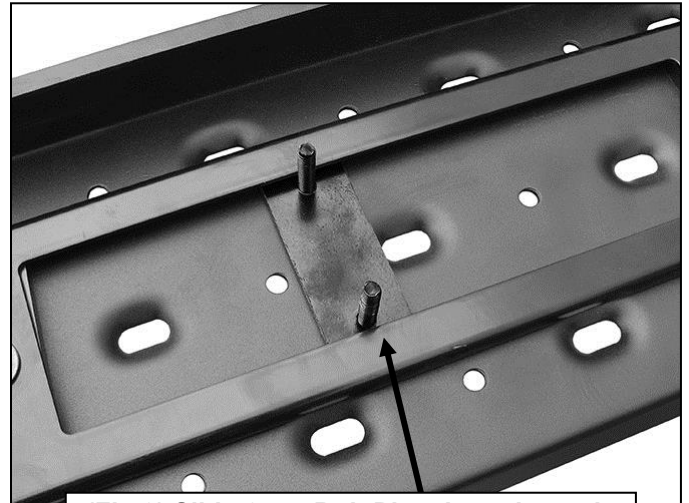
6. Once the (3) Brackets have been fully installed, select the passenger/right Running Board. **IMPORTANT:** Use the illustration on **Page 1** to correctly identify the Running Boards. Place the Running Board on top of the Brackets. Locate the channels in the bottom of the Running Board. Select (3) 6mm Double Bolt Plates, (**Figure 8**). Insert the Bolt Plates into the channels in the bottom of the Running Board closest to the Brackets, (**Figure 9**). Lift the Board up and guide the studs through the Brackets.
7. Attach the Running Board to the Brackets with (6) 6mm Flat Washers, (6) 6mm Lock Washers and (6) 6mm Hex Nuts, (**Figures 10 & 11**). **NOTE:** The Running Board is designed to fit close to the vehicle. It may be necessary to loosen the Bracket hardware slightly and tilt the Brackets downward to insert the Running Board between the Brackets and the body.
8. Level and adjust the Running Board as necessary and fully tighten all hardware.

9. Repeat **Steps 2—9** for the driver side Running Board installation.

10. Do periodic inspections to the installation to make sure that all hardware is secure and tight.



(Fig 8) 6mm Double Bolt Plate



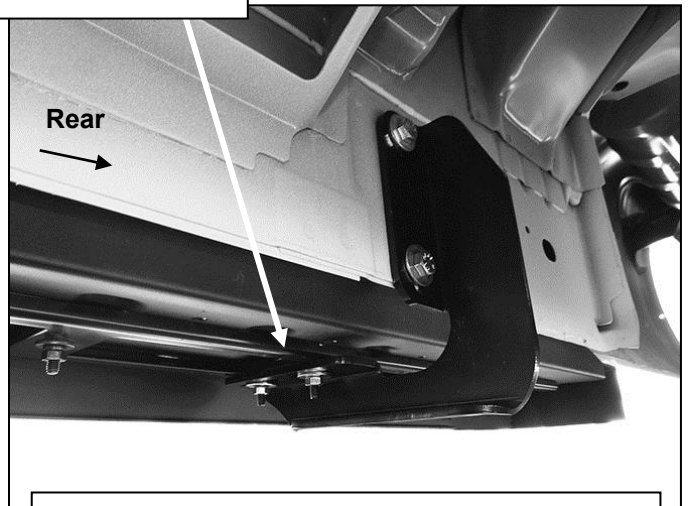
(Fig 9) Slide 6mm Bolt Plate into channels



Front
←

(2) 6mm Flat Washers
(2) 6mm Lock Washers
(2) 6mm Hex Nuts

(Fig 10) Passenger/right front Bracket installed



Rear
→

(Fig 11) Passenger/right rear Bracket installed



Complete Installation

PRODUCT CARE

- Periodically check the product to ensure all fasteners are tight and components are intact.
- Regular waxing is recommended to protect the finish of the product.
- **Use ONLY Non-Abrasive automotive wax.** Use of any soap, polish or wax that contains an abrasive is detrimental and can scratch the finish leading to corrosion.
- Aluminum polish may be used to polish small scratches and scuffs for **Stainless Steel finish.**
- Mild soap may be used to clean the product for both **Stainless Steel and Black finish.**

FAQ's

1. Hardware's are not of correct size.

In GMC / Chevrolet truck model 2006 & up, customer needs to reuse the factory body bolts to install the bracket. If your vehicle is not GMC / Chevrolet 2006 & up, ensure that holes are not partially covered with any plastic grommet or rust? If it is, remove the plastic grommet & rust from the thread holes & re-try the installation.

2. Mounting Bracket are not getting Installed properly.

In some cases Illustration images shown in Installation manual may not be the exactly same as per actual vehicle images ,also if Driver / Passenger side mounting brackets are very identical in the design, suggest referring Parts Identification guide to avoid fitment issue.

3. Products are thumping / rattling after installation.

Ensure that all required mounting brackets / hardware's are installed & tighten correctly. Suggest using white lithium / regular grease between the metal to metal contact surfaces.

4. Side Bar is not aligning with vehicle / Step Pads are not aligning with vehicle doors.

Side bar may be interchanged or mounting brackets are not installed at the correct position in the vehicle. Refer Parts identification guide.

5. Missing / Excess Hardware.

Recheck hardware count as per the part list.

6. Product not installing properly.

Ensure make model year, cab length and bed size of your vehicle is listed in the application. All installation steps are followed correctly.