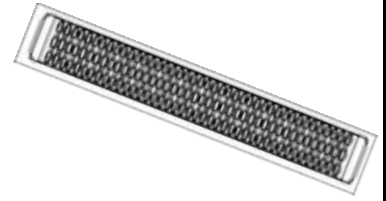




Aggressive Running Board

Part No. RBA017TI



Fits: 2007 - 2016

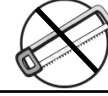
Toyota Tundra Double Cab



ASSISTANCE IS RECOMMENDED.



60-180 min



Cutting Not Required



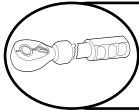
Drilling Not Required



REMOVE CONTENTS FROM BOX. VERIFY ALL PARTS ARE PRESENT.



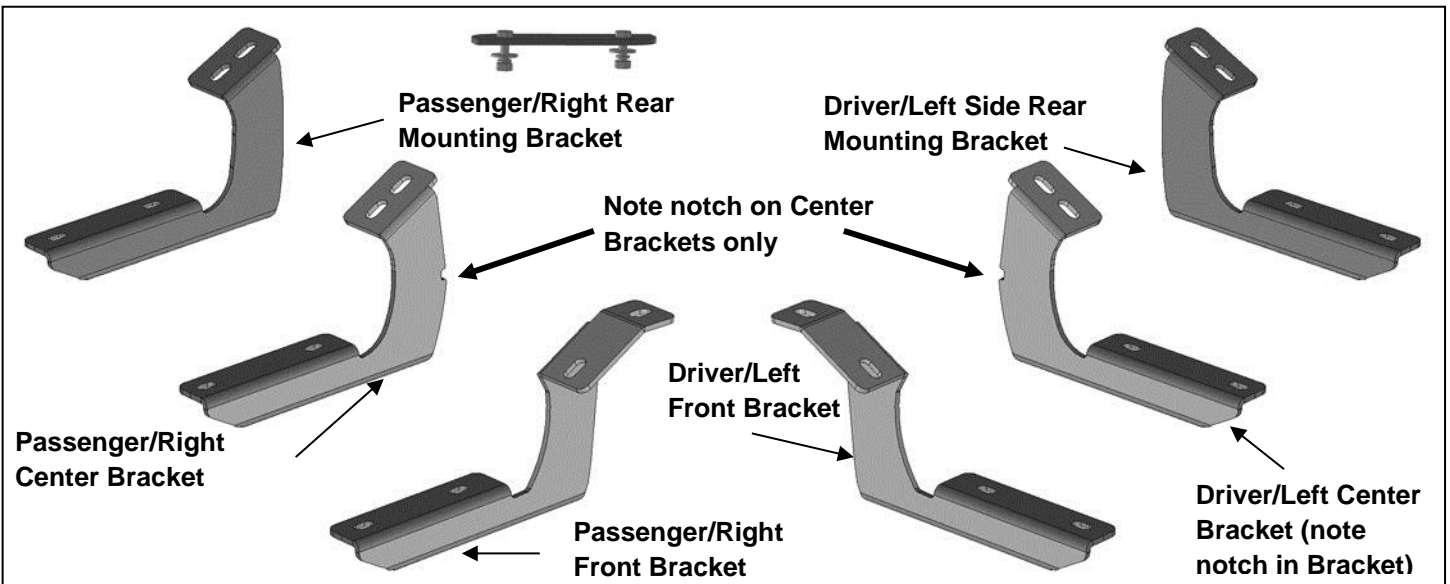
READ INSTRUCTIONS CAREFULLY BEFORE STARTING INSTALLATION.



DO NOT OVER TORQUE. STANDARD OPERATING LOAD FOR TIGHTEN BODY MOUNT NUTS & BOLTS VARIES FROM 45 TO 65 FOOT POUND.

PARTS LIST:

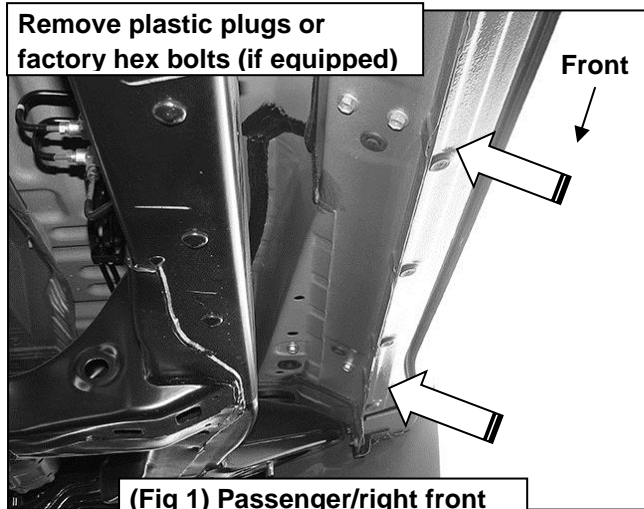
Qty	Part Description	Qty	Part Description
2	Running Boards	12	8-1.25 x 25mm Hex Bolts
1	Driver/Left Front Mounting Bracket	12	8mm x 28mm OD x 3mm Flat Washers
1	Passenger/Right Front Mounting Bracket	12	8mm x 24mm OD x 2mm Flat Washers
1	Driver/Left Middle Mounting Bracket	24	8mm Lock Washers
1	Passenger/Right Middle Mounting Bracket	12	8mm Hex Nuts
1	Driver/Left Rear Mounting Bracket	6	8mm Double Bolt Plates
1	Passenger/Right Rear Mounting Bracket		



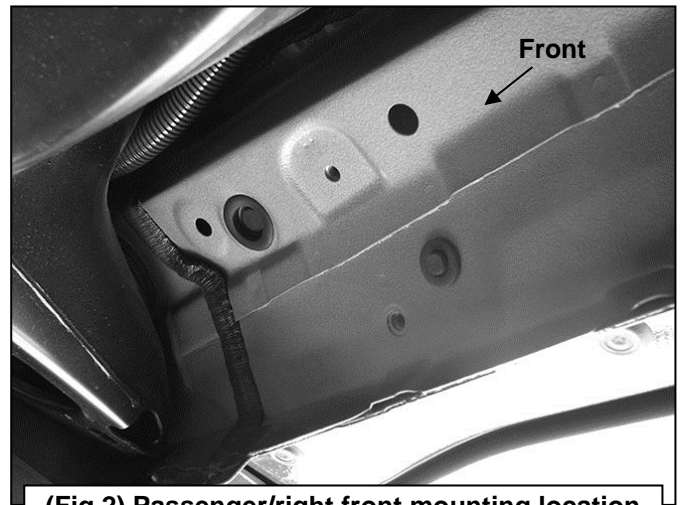
INSTALLATION PROCEDURE:

USE ILLUSTRATION TO IDENTIFY BRACKETS AND RUNNING BOARDS.

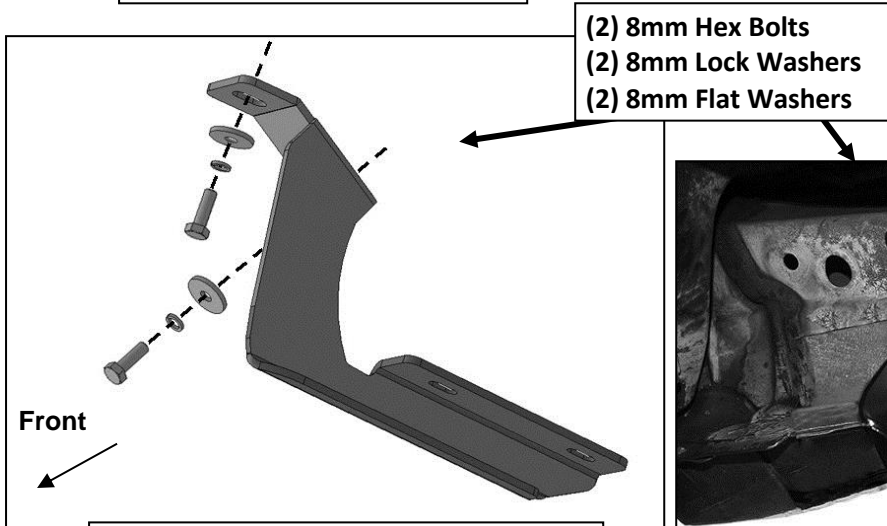
1. Starting on the passenger side, front of the vehicle, remove the plastic plugs or hex bolts covering the (2) threaded holes in the body panel, **(Figures 1 & 2)**. Select the passenger side front Mounting Bracket, **(Figure 3)**. Attach the Bracket to the vehicle using the included (2) 8mm Hex Bolts, (2) 8mm Lock Washers and (2) 8mm Flat Washers, **(Figures 3 & 4)**. Do not tighten hardware at this time.



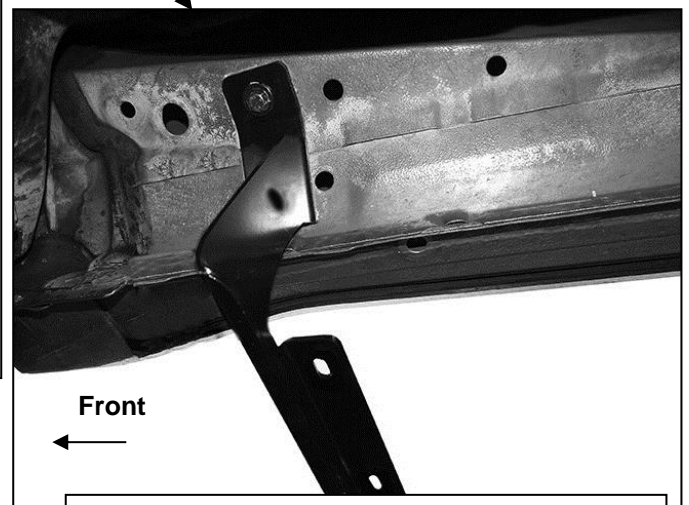
(Fig 1) Passenger/right front and center mounting location



(Fig 2) Passenger/right front mounting location

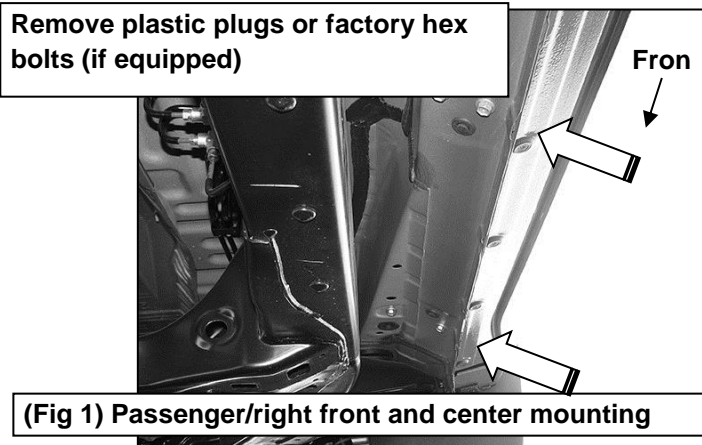


(Fig 3) Passenger/right front Bracket



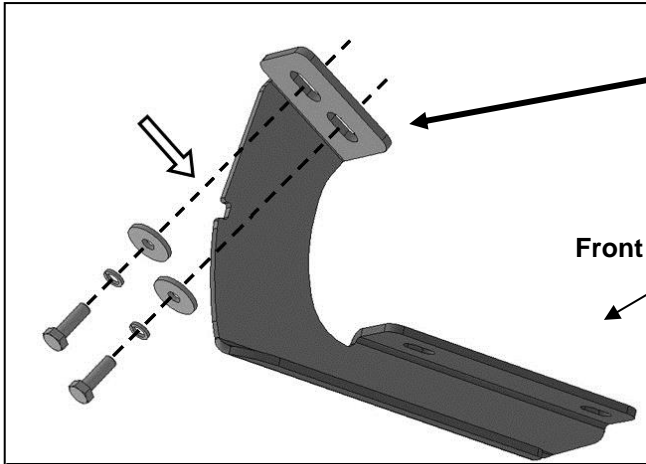
(Fig 4) Passenger/right front Bracket installed

2. Next, move to the next (2nd) mounting location, **(Figure 1)**. **NOTE:** The Tundra has (4) mounting locations along the bottom of the body. **Installation will use the 1st, 2nd and 4th** mounting locations only for the Running Board Brackets.



(Fig 1) Passenger/right front and center mounting

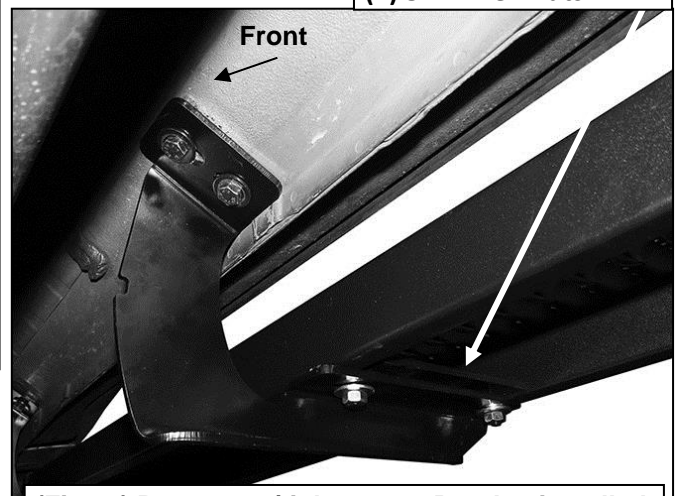
3. Select the passenger side center Mounting Bracket, **(Figure 5)**. **IMPORTANT:** The Center and Rear Brackets look similar but each one is unique. Use the picture on **Page 1** and **Figure 5** to help identify each Bracket. Repeat **Step 2** to install the center Mounting Bracket, **(Figures 5 & 12)**.



(2) 8mm Hex Bolts
(2) 8mm Lock Washers
(2) 8mm Flat Washers

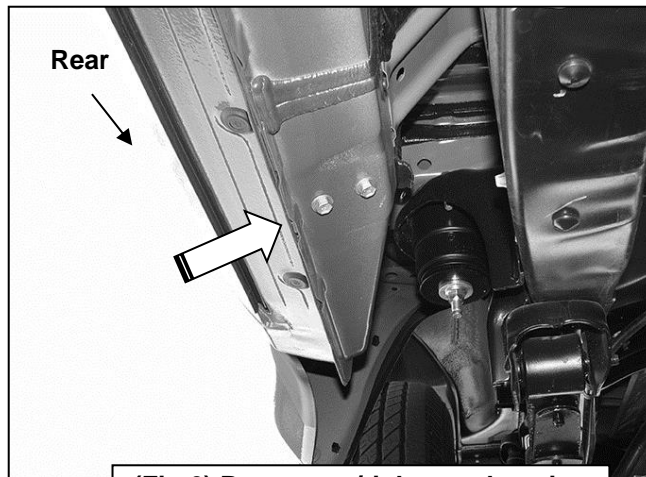
(2) 8mm Flat Washers
(2) 8mm Lock Washers
(2) 8mm Hex Nuts

(Fig 5) Passenger/right center Bracket-note notch on back of bracket to identify center brackets only

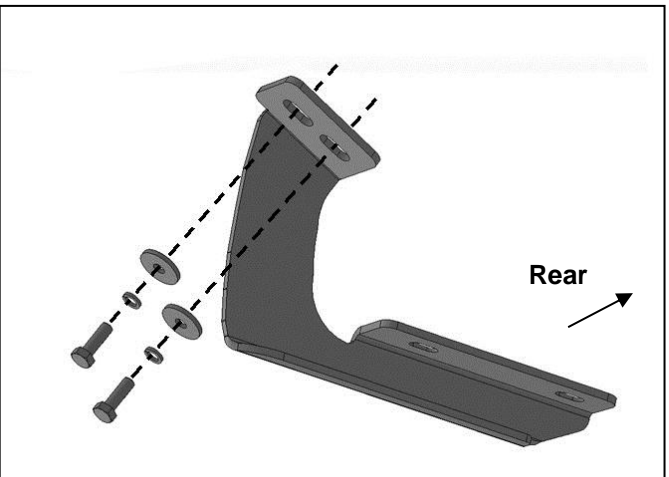


(Fig 12) Passenger/right center Bracket installed

4. Continue to the last mounting location at the back of the cab, **(Figure 6)**. Repeat **Step 2** to install the passenger side rear Bracket, **(Figures 7 & 13)**. When properly installed, the cradles for the Running Board will face toward the rear.

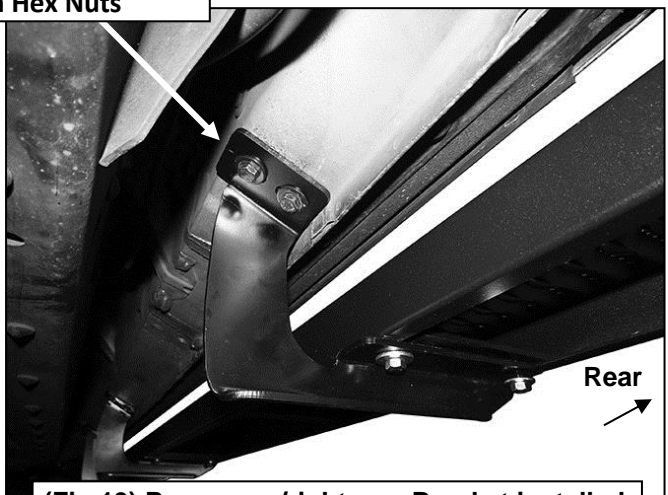


(Fig 6) Passenger/right rear location



(Fig 7) Passenger/right rear Bracket installed

(2) 8mm Flat Washers
(2) 8mm Lock Washers
(2) 8mm Hex Nuts

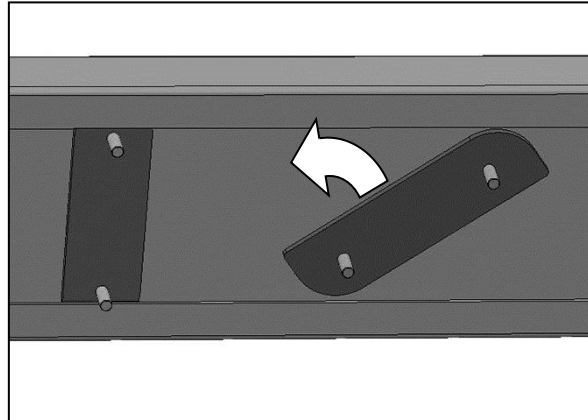


(Fig 13) Passenger/right rear Bracket installed

5. Once all (3) Brackets have been fully installed, carefully unwrap (1) Running Board. Place the Running Board on top of the (3) Brackets. Locate the channels in the bottom of the Running Board. Select (3) 8mm Double Bolt Plates, **(Figure 8)**. Insert the Bolt Plates into the channels in the bottom of the Running Board closest to the Brackets, **(Figure 9)**. Lift the Running Board up and guide the studs down through the Brackets.

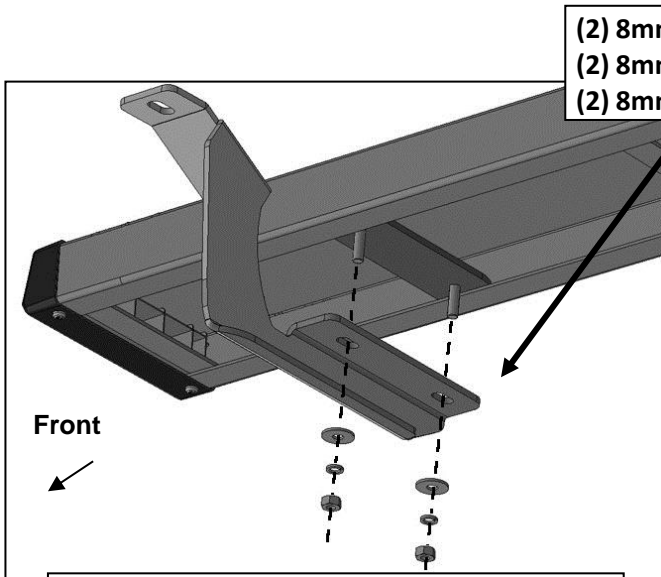


(Fig 8) 8mm Double Bolt Plate



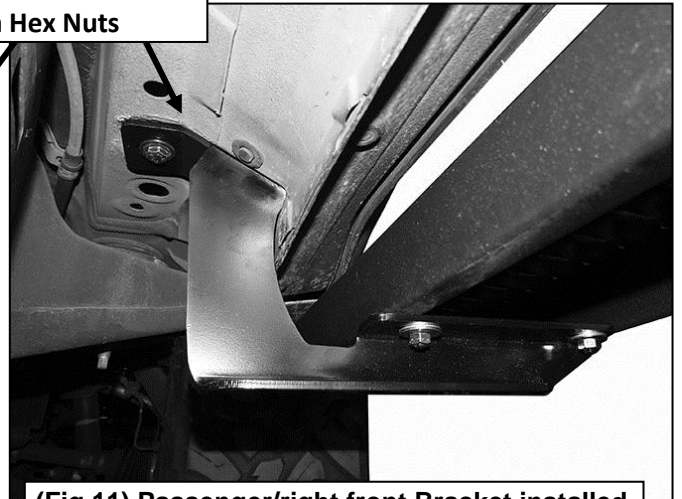
(Fig 9) Slide Double Bolt Plates into channels

6. Attach the Running Board to the Mounting Brackets with the included (6) 8mm Flat Washers, (6) 8mm Lock Washers and (6) 8mm Hex Nuts, **(Figures 10—13)**. Do not tighten at this time.

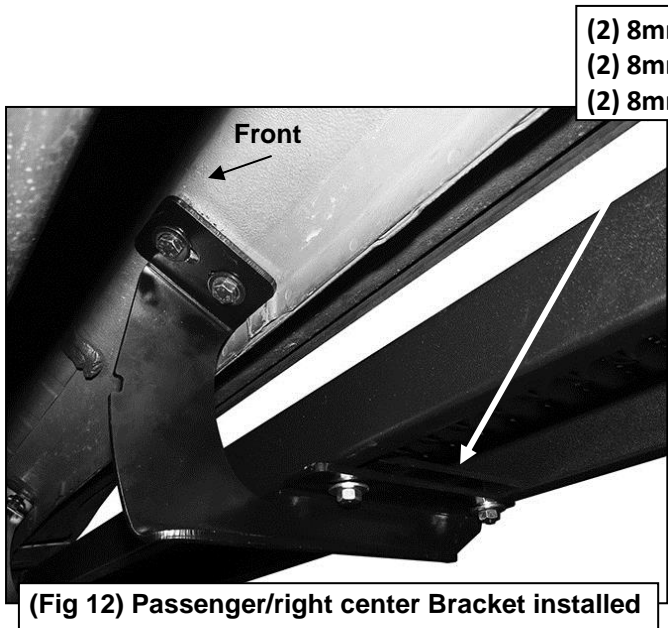


(Fig 10) Attach Running Board to Bracket

(2) 8mm Flat Washers
(2) 8mm Lock Washers
(2) 8mm Hex Nuts

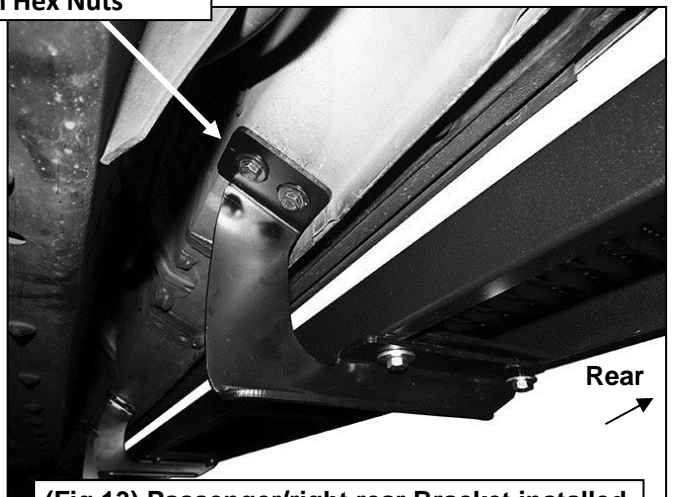


(Fig 11) Passenger/right front Bracket installed



(Fig 12) Passenger/right center Bracket installed

(2) 8mm Flat Washers
(2) 8mm Lock Washers
(2) 8mm Hex Nuts



(Fig 13) Passenger/right rear Bracket installed

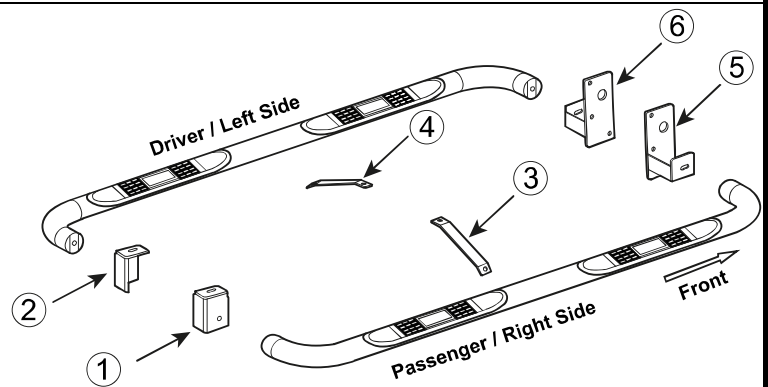
7. Level and adjust the Running Board as desired and tighten all hardware.
8. Repeat **Steps 2—8** for driver side Running Board installation.
9. Do periodic inspections to the installation to make sure that all hardware is secure and tight.



PARTS IDENTIFICATION GUIDE

Driver Side tube packed using "Green" color foam sheet. Passenger Side tube packed using "White" color foam sheet

No.	Parts Identification
1	Passenger / Right 'Rear' Bracket marked "PR"
2	Driver / Left 'Rear' Bracket marked "DR"
3	Passenger / Right 'Center' Bracket marked "PC"
4	Driver / Left 'Center' Bracket marked "DC"
5	Passenger / Right 'Front' Bracket marked "PF"
6	Driver / Left 'Front' Bracket marked "DF"



Note:

- > This guide is to identify the parts and not a reference for part count.
- > For part count, refer Parts List.
- > Product / Bracket image is representative and actual design may vary.

PRODUCT CARE

- Periodically check the product to ensure all fasteners are tight and components are intact.
- Regular waxing is recommended to protect the finish of the product.
- **Use ONLY Non-Abrasive automotive wax.** Use of any soap, polish or wax that contains an abrasive is detrimental and can scratch the finish leading to corrosion.
- Aluminum polish may be used to polish small scratches and scuffs for **Stainless Steel finish.**
- Mild soap may be used to clean the product for both **Stainless Steel and Black finish.**

FAQ's

1. Hardware's are not of correct size.

In GMC / Chevrolet truck model 2006 & up, customer needs to reuse the factory body bolts to install the bracket. If your vehicle is not GMC / Chevrolet 2006 & up, ensure that holes are not partially covered with any plastic grommet or rust? If it is, remove the plastic grommet & rust from the thread holes & re-try the installation.

2. Mounting Bracket are not getting Installed properly.

In some cases Illustration images shown in Installation manual may not be the exactly same as per actual vehicle images ,also if Driver / Passenger side mounting brackets are very identical in the design, suggest referring Parts Identification guide to avoid fitment issue.

3. Products are thumping / rattling after installation.

Ensure that all required mounting brackets / hardware's are installed & tighten correctly. Suggest using white lithium / regular grease between the metal to metal contact surfaces.

4. Side Bar is not aligning with vehicle / Step Pads are not aligning with vehicle doors.

Side bar may be interchanged or mounting brackets are not installed at the correct position in the vehicle. Refer Parts identification guide.

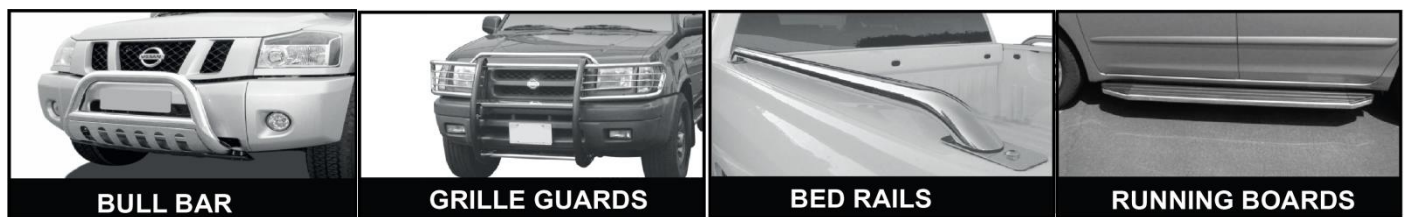
5. Missing / Excess Hardware.

Recheck hardware count as per the part list.

6. Product not installing properly.

Ensure make model year, cab length and bed size of your vehicle is listed in the application. All installation steps are followed correctly.

Check out these other TrailFX Products!!



Keystone Automotive Operations Inc. (KAO) warrants this product to be free of defects in material and workmanship at the time of purchase by the original retail consumer. KAO disclaims any other warranties, express or implied, including the warranty of fitness for a particular purpose or an intended use. If the product is found to be defective, KAO may replace or repair the product at our option, when the product is returned prepaid, with proof of purchase. Alteration to, improper installation, or misuse of this product voids the warranty. KAO's liability is limited to repair or replacement of products found to be defective, and specifically excludes liability for any incidental or consequential loss or damage.