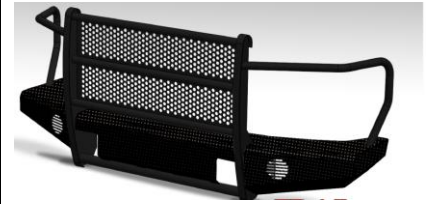




Replacement Bumper

Part No. FX3005



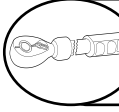
Fits: 2007 - 2010 Chevrolet Silverado 3500 HD



REMOVE CONTENTS FROM BOX. VERIFY ALL PARTS ARE PRESENT.



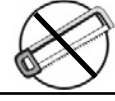
READ INSTRUCTIONS CAREFULLY BEFORE STARTING INSTALLATION.



DO NOT OVER TORQUE. STANDARD OPERATING LOAD FOR TIGHTEN BODY MOUNT NUTS & BOLTS VARIES FROM 45 TO 65 FOOT POUND.



60-120 min



Cutting Not Required



Drilling Not Required

PARTS LIST:

Qty	Part Description	Qty	Part Description
1	Replacement Bumper	1	

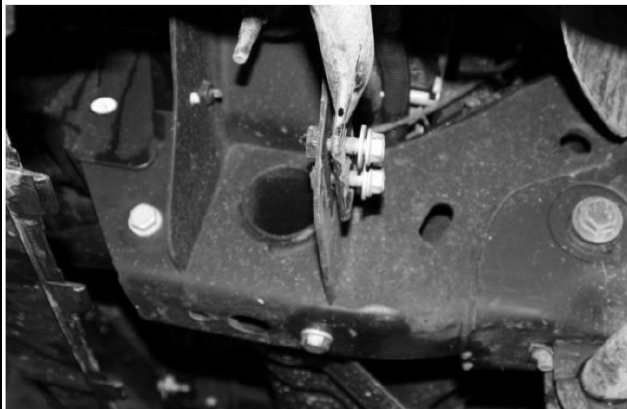
Tools Required

Socket Wrench With Extension	3/4" Socket
18mm Socket	3/8" . 7/16", 3/4" Box End Wrench
7/32" Socket	15mm Socket
Phillips Screwdriver	Hammer
10mm Socket	Floor jack and wood block

INSTALLATION PROCEDURE:

Vehicle Preparation

1. Disconnect the factory fog lamp connectors (If Applicable), zip tie harness to frame.
2. Remove bolts and swing outer bumper support tubes down and out of the way, using a 15mm socket. Two Bolts per side. See Image Below



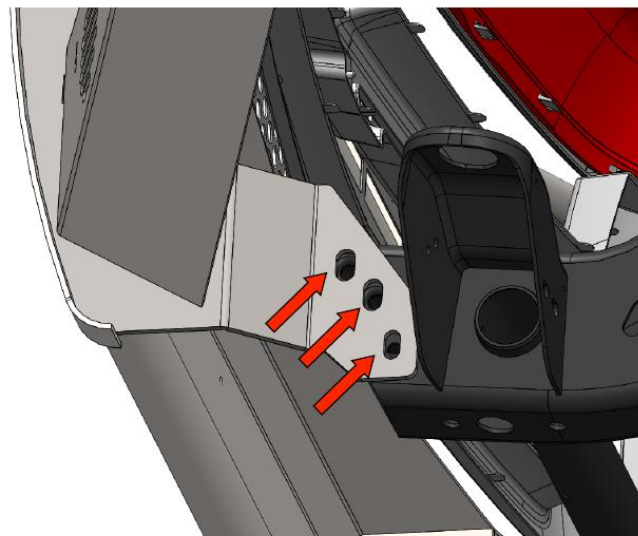
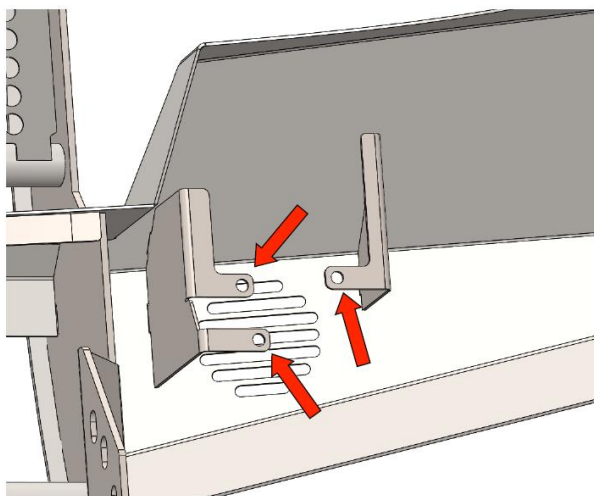
3. Remove the dart clips holding the rubber valance between the frame and the bumper
4. Remove 21mm nuts (2 Per Side) from the bolt strips holding the bumper brackets to the frame.

NOTE: SUPPORT BUMPER BEFORE REMOVING BOLT STRIPS! See Image Below.

5. With the bumper supported remove the bolts strip holding the bumper to the frame.
6. Pull outward slightly at the fender wells and remove the bumper from the front.
7. With Bumper removed from the truck, remove the 18mm bolts attaching the Factory Tow Hooks to the frame. Remove the tow hooks.

Bumper Installation

1. Remove the Bumper from the shipping carton. Lay all items out on a blanket to prevent damage to the powder coating.
2. **OPTIONAL:** If you wish to retain the stock fog lamps, remove the lights from the stock bumper and reinstall using OEM hardware in the provided brackets behind the protective mesh. It may be necessary to remove the adjuster screw prior to installation. With the fog light clipped in the bracket, reinstall the adjuster screw to clamp the light in place.



3. Lift bumper and slide bumper mounting flanges over the outside of the vehicle frame rails, aligning the slots in the mounts with the holes in the sides of the frame rails.
4. Reinsert factory mounting hardware and tow hooks through the mounts, but do not yet fully tighten.
5. Adjust the bumper to achieve good visual alignment.
6. Tighten all fasteners; beginning with frame mounts. Then tighten all mount to- bumper fasteners.
7. Trim inner-fender liners to match bumper if desired.



PRODUCT CARE

- Periodically check the product to ensure all fasteners are tight and components are intact.
- Regular waxing is recommended to protect the finish of the product.
- **Use ONLY Non-Abrasive automotive wax.** Use of any soap, polish or wax that contains an abrasive is detrimental and can scratch the finish leading to corrosion.
- Aluminum polish may be used to polish small scratches and scuffs for **Stainless Steel finish.**
- Mild soap may be used to clean the product for both **Stainless Steel and Black finish.**

FAQ's

1. Hardware's are not of correct size.

In GMC / Chevrolet truck model 2006 & up, customer needs to reuse the factory body bolts to install the bracket. If your vehicle is not GMC / Chevrolet 2006 & up, ensure that holes are not partially covered with any plastic grommet or rust? If it is, remove the plastic grommet & rust from the thread holes & re-try the installation.

2. Mounting Bracket are not getting Installed properly.

In some cases Illustration images shown in Installation manual may not be the exactly same as per actual vehicle images ,also if Driver / Passenger side mounting brackets are very identical in the design, suggest referring Parts Identification guide to avoid fitment issue.

3. Products are thumping / rattling after installation.

Ensure that all required mounting brackets / hardware's are installed & tighten correctly. Suggest using white lithium / regular grease between the metal to metal contact surfaces.

4. Side Bar is not aligning with vehicle / Step Pads are not aligning with vehicle doors.

Side bar may be interchanged or mounting brackets are not installed at the correct position in the vehicle. Refer Parts identification guide.

5. Missing / Excess Hardware.

Recheck hardware count as per the part list.

6. Product not installing properly.

Ensure make model year, cab length and bed size of your vehicle is listed in the application. All installation steps are followed correctly.