



Replacement Front Bumper

Part No. FX3000



Fits: 2011 - 2016

Ford Super Duty



ASSISTANCE IS RECOMMENDED.



60-180 min



Cutting Not Required



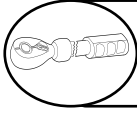
Drilling Not Required



REMOVE CONTENTS FROM BOX. VERIFY ALL PARTS ARE PRESENT.



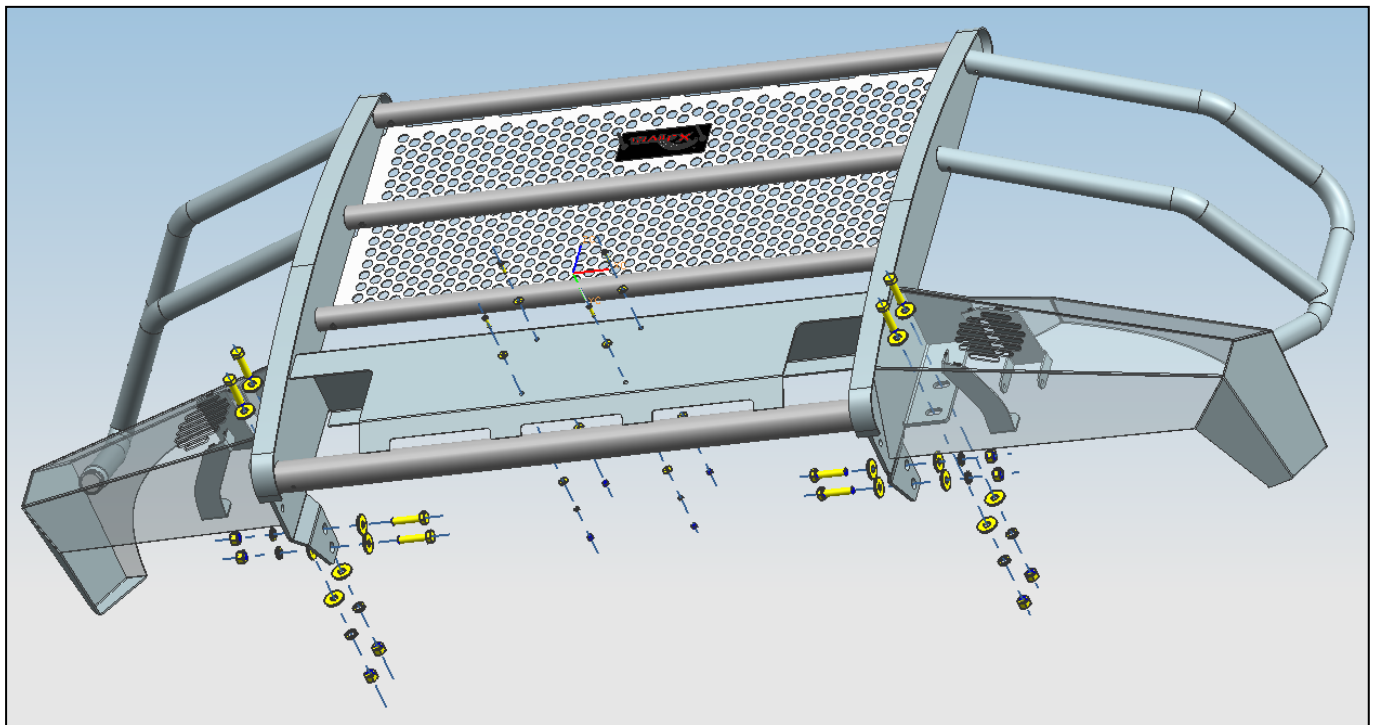
READ INSTRUCTIONS CAREFULLY BEFORE STARTING INSTALLATION.



DO NOT OVER TORQUE. STANDARD OPERATING LOAD FOR TIGHTEN BODY MOUNT NUTS & BOLTS VARIES FROM 45 TO 65 FOOT POUND.

PARTS LIST:

Qty	Part Description	Qty	Part Description
1	Replacement Bumper	8	5x15x1.2mm Flat Washers
4	5x20mm Phillips Screws	4	5mm Hex Nuts
4	5mm Lock Washers	16	12x32x3mm Flat Washers
8	12x50mm Hex Bolts	8	12mm Hex Nuts
8	12mm Lock Washers		

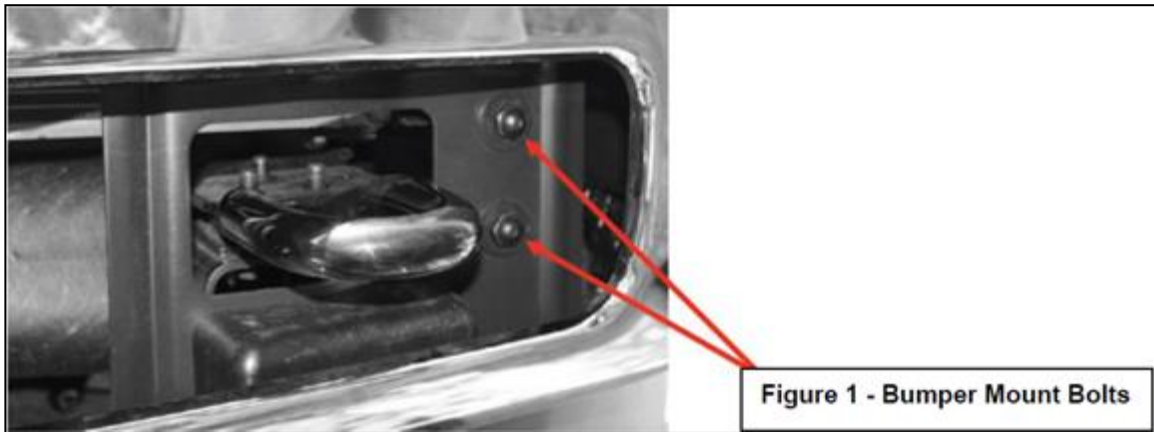


INSTALLATION PROCEDURE

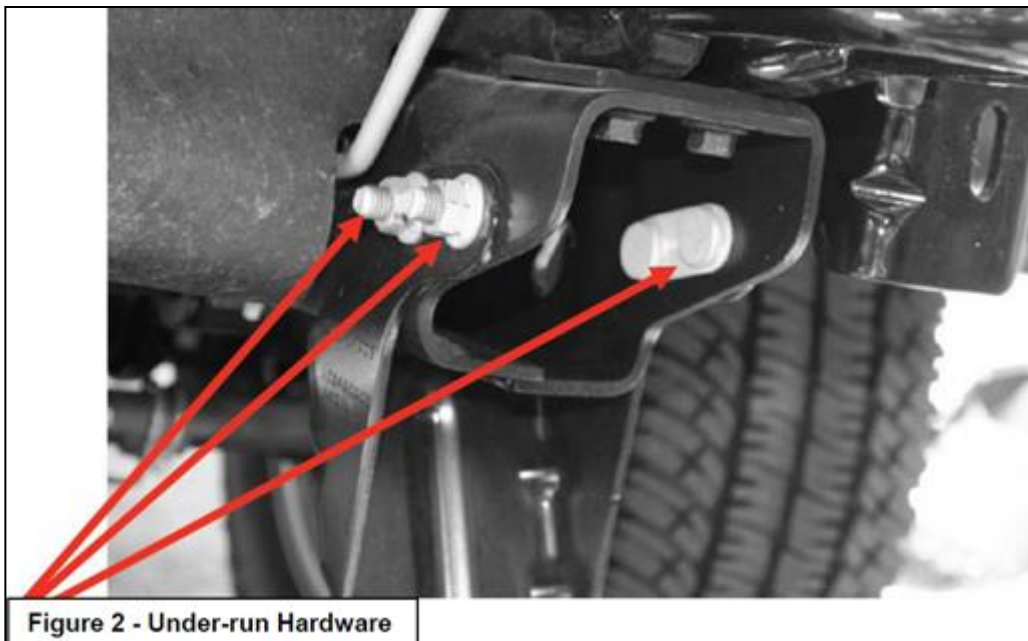
BUMPER IS HEAVY, ASSISTANCE IS HIGHLY RECOMMENDED TO AVOID POSSIBLE INJURY OR DAMAGE TO THE VEHICLE.

Vehicle Preparation

1. Disconnect factory fog lamp harness from the connector on the lower radiator core support.
2. Unclip the splash mat from the factory bumper and fold up out of the way.
3. Remove bumper support bracket screws from the body mount bracket behind the bumper with a 13mm wrench or socket.
4. While supporting the bumper, unscrew the main bumper mounting bolts from the front face of the bumper (**Fig 1**). The bolts will remain captive in the bumper.

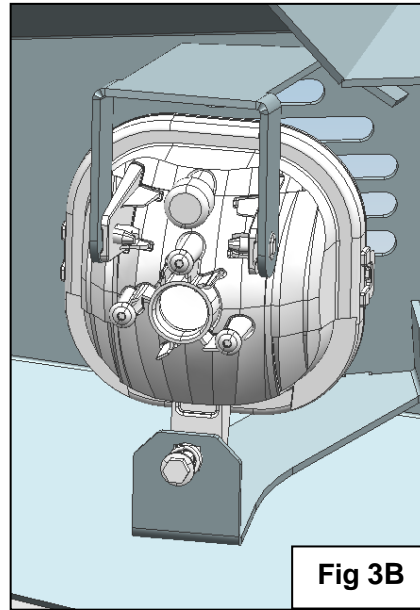
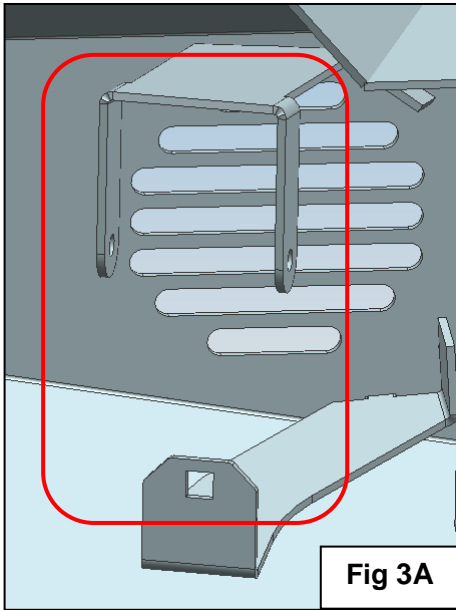


5. Remove OEM bumper assembly and set aside.
6. Remove the under-run guards from both frame rails with an 18mm Socket (**Fig 2**).

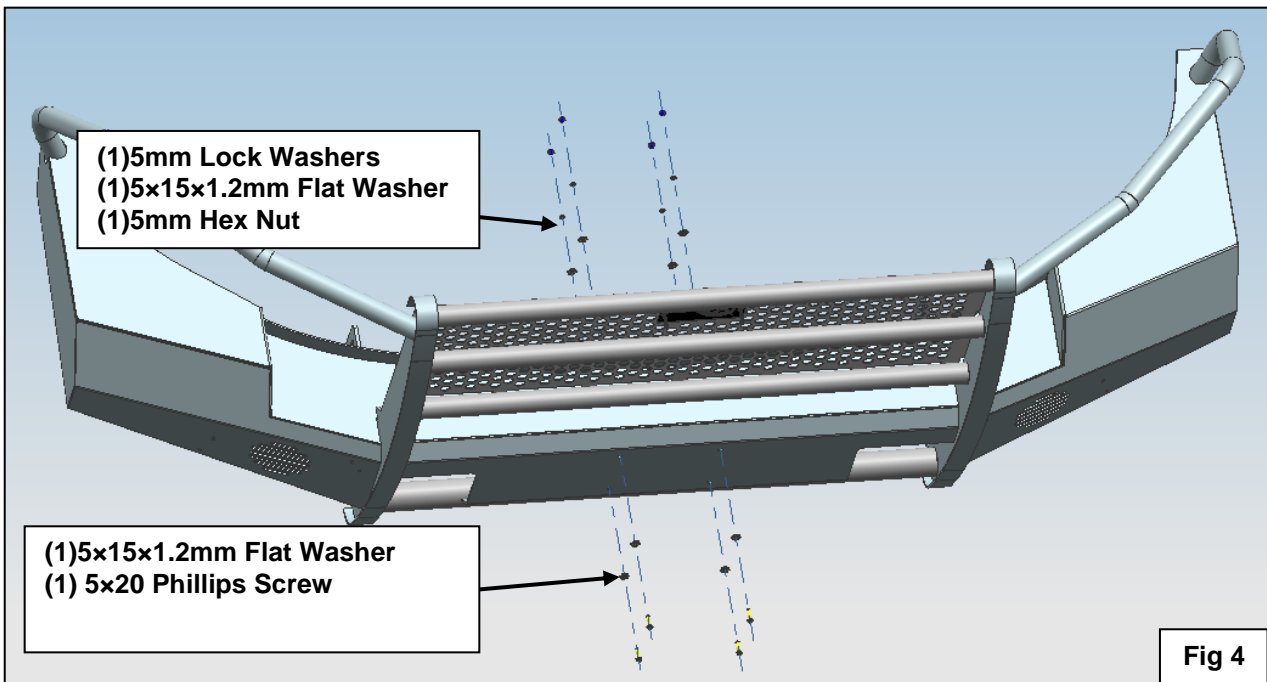


Bumper Installation

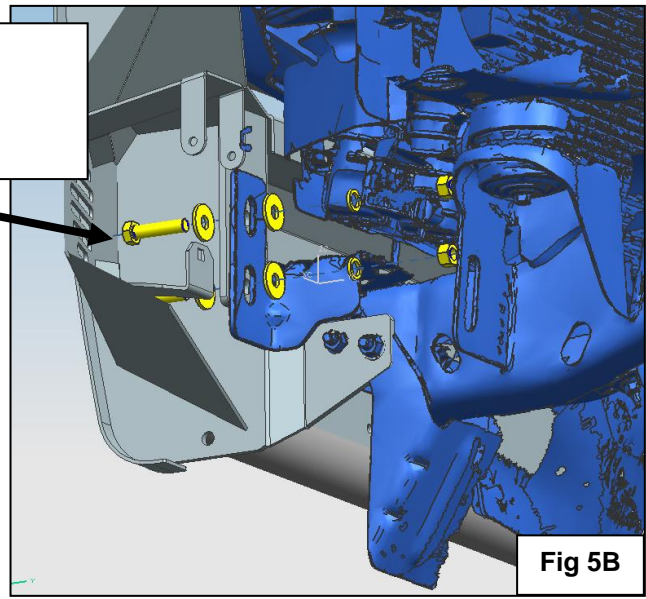
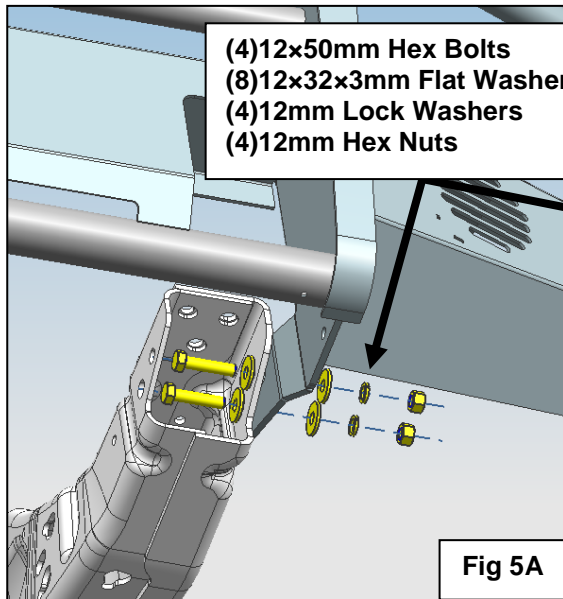
1. Remove the fog light from the vehicle. Use the OEM screws and nut plates to fasten the fog light to the bumper (**Fig 3A & 3B**).



2. Attach the license plate to the Replacement Bumper (**Fig 4**). Fasten the license plate with the hardware.



3. Attach the Bumper to the frame with the hardware (**Fig 5A & 5B**).



4. Reinstall the factory wiring harness to the fog light.
5. Level and adjust the bumper, make sure that all hardware is secure and tight.
6. Installation is finished, pick up all tools.