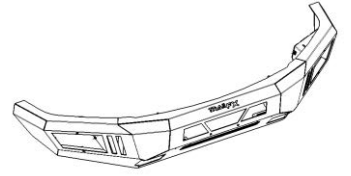




LD Front Bumper

Part No. FLDB002TI



Fits: 2015 - 2016

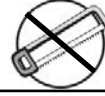
Ford F150 (Incl. EcoBoost engine model)



ASSISTANCE IS RECOMMENDED.



60-180 min



Cutting not Required



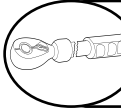
Drilling Not Required



REMOVE CONTENTS FROM BOX. VERIFY ALL PARTS ARE PRESENT.



READ INSTRUCTIONS CAREFULLY BEFORE STARTING INSTALLATION.



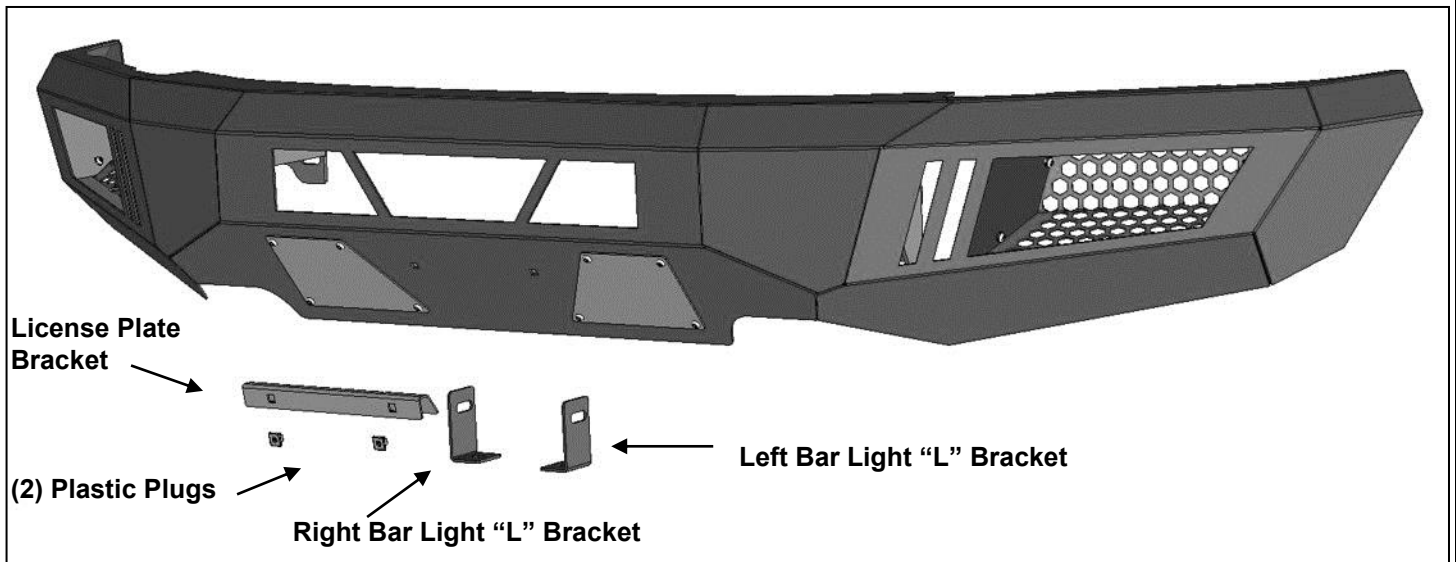
DO NOT OVER TORQUE. STANDARD OPERATING LOAD FOR TIGHTEN BODY MOUNT NUTS & BOLTS VARIES FROM 45 TO 65 FOOT POUND.



POLISHED STAINLESS STEEL – LIMITED LIFETIME
POWDER COATED BLACK – 3 YEARS

PARTS LIST:

Qty	Part Description	Qty	Part Description
1	Front Bumper Assembly	4	8mm Lock Washers
1	Driver/left "L" Bracket (center LED light)	2	8mm Hex Nuts
1	Passenger/right "L" Bracket (center LED light)	2	6mm x 20mm Button Head Bolts
1	License Plate Bracket	4	6mm x 18mm x 1.6 Flat Washers
2	Plastic Plugs for license plate mount	2	6mm Nylon Lock Nuts
2	8-1.25mm x 25mm Hex Bolts	1	Wrench
2	8-1.25mm x 16mm Hex Bolts (LED light bar)	10	Nylon Wire Ties
6	8mm x 24mm Flat Washers		



INSTALLATION PROCEDURE:

TO AVOID POSSIBLE INJURY OR DAMAGE TO THE VEHICLE.

1. Remove the license plate and bracket, **(Figure 1)**. Next, remove the plastic bumper pad assembly or on models with ecoboost, remove the (2) bumper pads from the bumper, **(Figure 2)**. **NOTE:** Pad is held in place with metal clips. Release the clips from back of bumper and pull the pad straight out to remove bumper pad. **NOTE:** It is easier to access bumper hardware with plastic air dam removed from bottom of bumper.



(Fig 1) Remove spoiler and pads from bumper

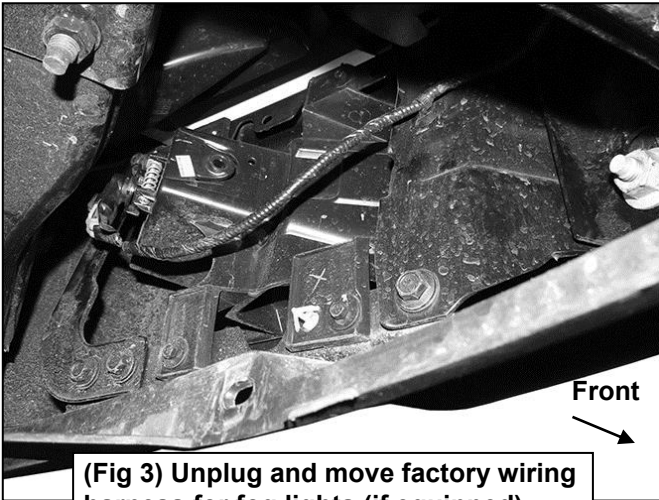


Front



(Fig 2) Remove license plate. From behind bumper, release metal clips attaching plastic bumper pad to the bumper

2. On models with factory fog lights, unplug both lights, (Figure 3). Release the wiring harness from the clips attached to the back of the bumper. Move harness away from bumper.

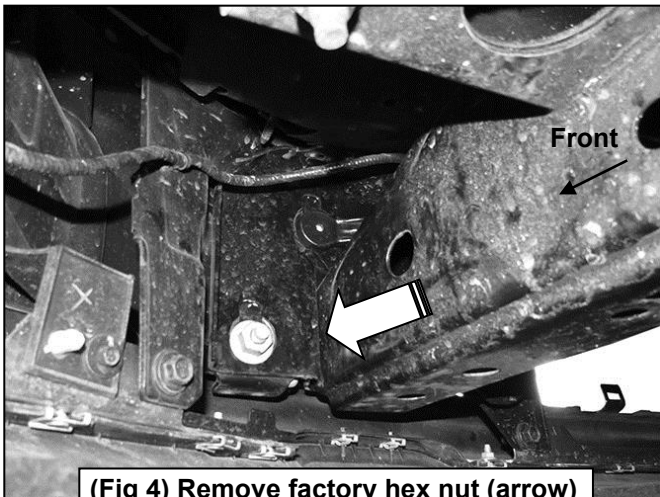


Front



(Fig 3) Unplug and move factory wiring harness for fog lights (if equipped)

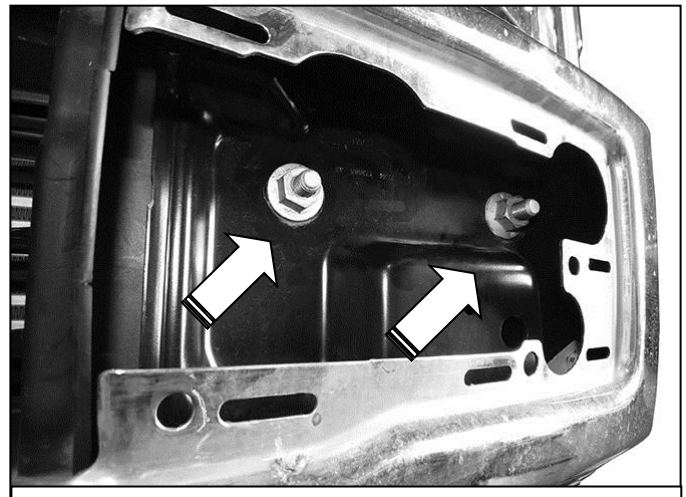
3. Place blocks or jack stands under the front bumper to support it during mounting bolt removal. Once the bumper has been safely supported, remove the large hex bolt and nut from the back of each bumper bracket, (Figure 4). Next, from the front of the bumper, remove the (2) factory hex nuts attaching the bumper to each bumper bracket, (Figure 5). **WARNING!** Assistance is required to hold the bumper in place during bolt removal to prevent the bumper from falling.



Front



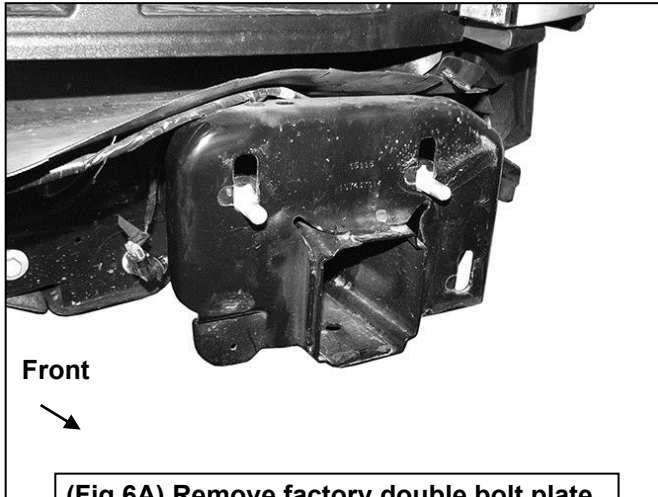
(Fig 4) Remove factory hex nut (arrow) from back of bumper bracket



(Fig 5) Remove (2) factory hex nuts from each side

4. Remove the double bolt plates from the top of the mounting flanges on the frame, **(Figure 6A & 6B)**.
5. With assistance, position the Bumper Assembly up to the mounting flanges on the frame. Temporarily support the weight of the Bumper. **WARNING:** To avoid possible injury or damage to the vehicle, do not proceed until the bumper is fully and safely supported.
6. Select (1) factory double bolt plate, **(Figure 6B)**. Insert the bolt plate into the driver side mounting plate on the back of the bumper and through the top holes in the bumper flange, **(Figure 7)**. Reuse the factory hex nuts to secure the Bumper to the bolt plate. Reuse the factory hex bolt and nut to attach the lower mounting hole on the bumper to the lower hole in the frame mounting flange, **(Figure 8)**.

WARNING! Do not remove bumper bolts unless the bumper is properly supported on blocks or stands or the bumper may fall.

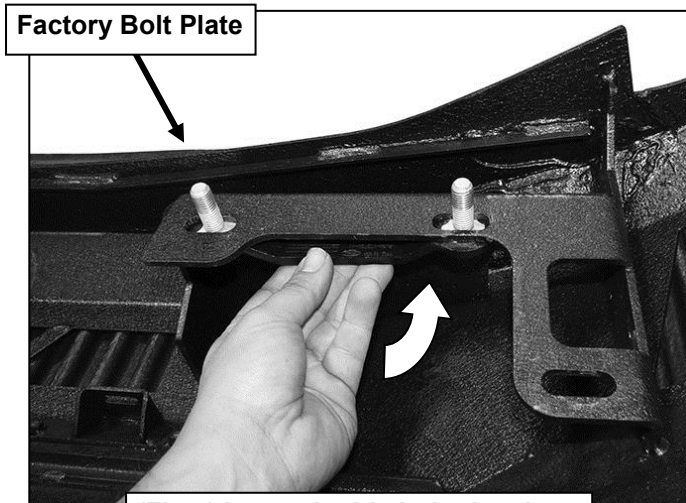


(Fig 6A) Remove factory double bolt plate



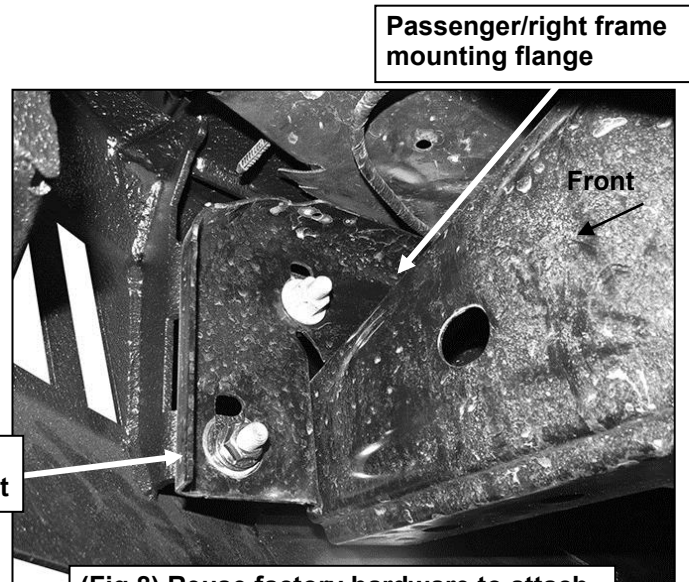
(Fig 6B) factory double bolt plate

WARNING! Do not crawl under bumper unless the bumper is properly supported on blocks or stands or the bumper may fall.



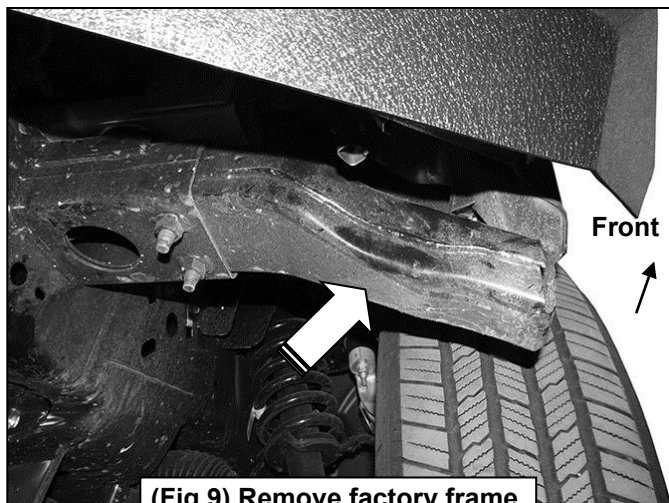
(Fig 7) Insert double bolt plate into mounting plate on back of Bumper

Reuse factory bumper bolt and nut



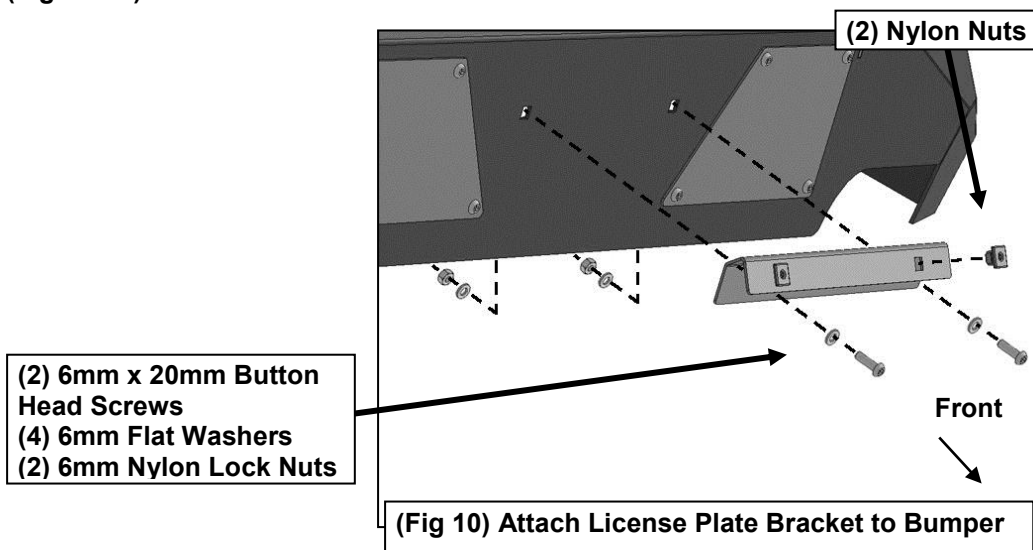
(Fig 8) Reuse factory hardware to attach Bumper to frame mounting flange

7. Repeat **Step 6** to attach the passenger side of the bumper to the end of the frame with the factory bumper hardware. Do not fully tighten hardware at this time.
8. Level and adjust the bumper and fully tighten all hardware.
9. On models with bolt on frame extensions, remove the extensions from outside of frame, (**Figure 9**).



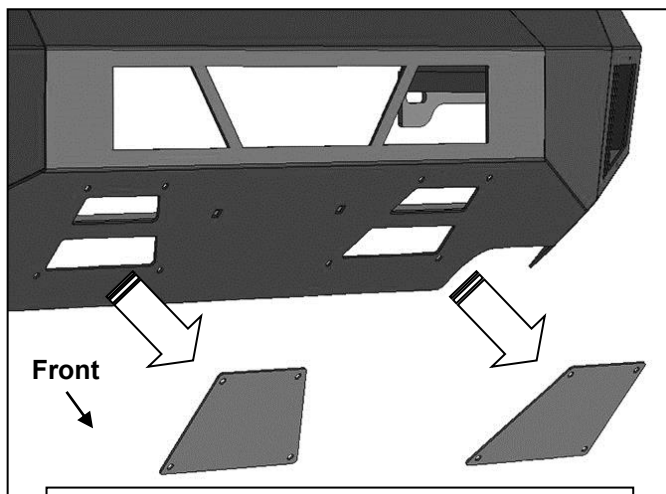
(Fig 9) Remove factory frame extension (if equipped)

10. If front license plate is required, attach the License Plate Bracket to the holes in the bumper with the included (2) 6mm x 20mm Button Head Screws, (4) 6mm Flat Washers and (2) 6mm Nylon Lock Nuts. Insert (2) Plastic Plugs into the square holes in the Bracket. Reuse the factory screws to attach the license plate to the plastic plugs, (**Figure 10**).



(Fig 10) Attach License Plate Bracket to Bumper

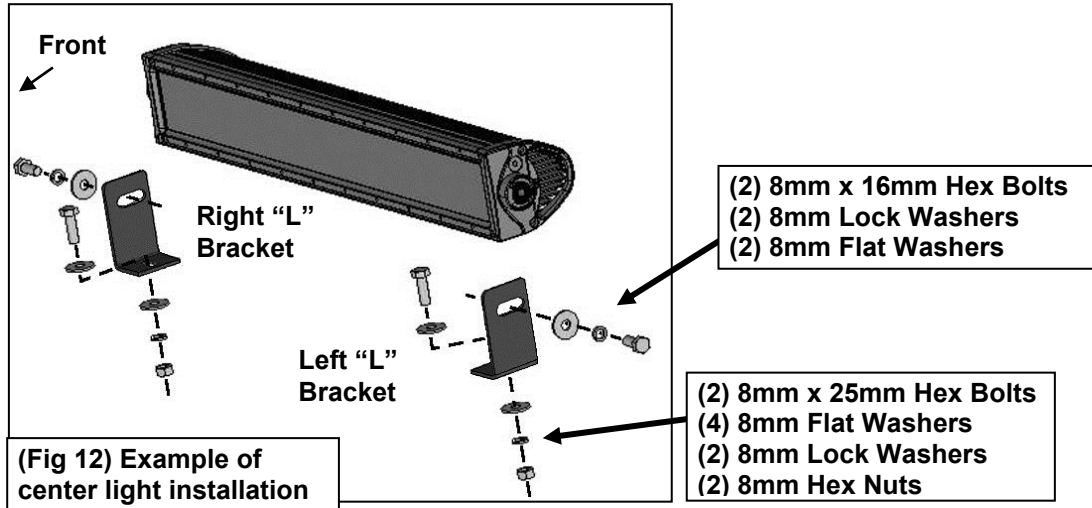
11. On Ecoboost models, remove the (2) flat covers from the bottom of the bumper, (**Figure 11**).



(Fig 11) Remove block off plates if desired- highly recommended for ecoboost models

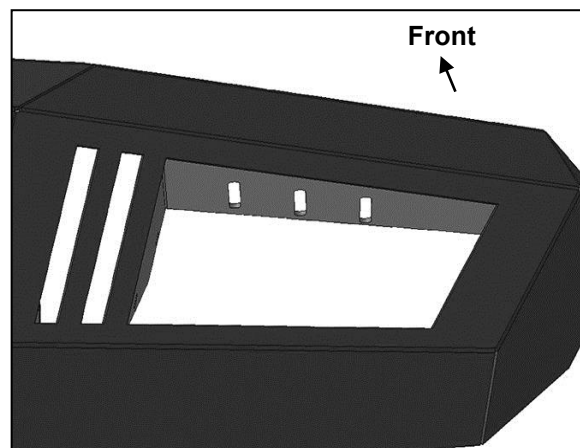
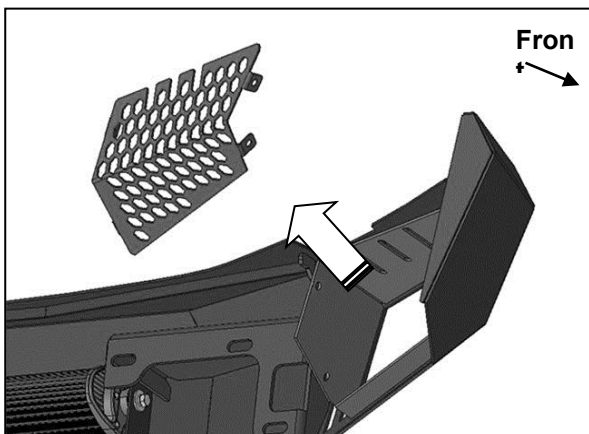
12. Center LED light installation as supplied with bumper or sold separately.

- a. Select the L/R "L" Brackets, (**Figure 12**). Attach the Brackets to the top of the (2) mounting tabs welded onto the back of the bumper with the included 8mm x 25mm Hex Bolts, (4) 8mm Flat Washers, (2) 8mm Lock Washers and (2) 8mm Hex Nuts. Leave loose at this time.
- b. Attach the LED light assembly to the "L" Brackets with the included (2) 8mm x 16mm Hex Bolts, (2) 8mm Lock Washers and (2) 8mm Flat Washers. Do not fully tighten hardware at this time. **IMPORTANT:** "L" Brackets are designed for 8mm light mounting hardware only. Modify "L" Brackets if necessary or use brackets supplied by your light manufacturer if possible to install hardware larger than 8mm.
- c. Follow light manufacturer's instructions to properly wire the light.



13. LED light installation at ends of bumper as supplied with bumper or sold separately.

- a. Insert light into opening and up to mounting slots. Check for clearance between front and back of light. If necessary, remove the screen from the back of the opening, (**Figure 13**).
- b. Follow the light manufacturer's instructions to attach (1) light to the center slot or (2) lights to the inner and outer slots in the top of the light opening, (**Figure 14**). **IMPORTANT:** On two light systems, attach the flood light to the outer slot and the spot light to the inner slot.
- c. Repeat the above steps for passenger side light installation.
- d. Follow light manufacturer's instructions to properly wire the light.



PRODUCT CARE

- Periodically check the product to ensure all fasteners are tight and components are intact.
- Regular waxing is recommended to protect the finish of the product.
- **Use ONLY Non-Abrasive automotive wax.** Use of any soap, polish or wax that contains an abrasive is detrimental and can scratch the finish leading to corrosion.
- Aluminum polish may be used to polish small scratches and scuffs for **Stainless Steel finish.**
- Mild soap may be used to clean the product for both **Stainless Steel and Black finish.**

FAQ's

1. Hardware's are not of correct size.

In GMC / Chevrolet truck model 2006 & up, customer needs to reuse the factory body bolts to install the bracket. If your vehicle is not GMC / Chevrolet 2006 & up, ensure that holes are not partially covered with any plastic grommet or rust? If it is, remove the plastic grommet & rust from the thread holes & re-try the installation.

2. Mounting Bracket are not getting Installed properly.

In some cases Illustration images shown in Installation manual may not be the exactly same as per actual vehicle images ,also if Driver / Passenger side mounting brackets are very identical in the design, suggest referring Parts Identification guide to avoid fitment issue.

3. Products are thumping / rattling after installation.

Ensure that all required mounting brackets / hardware's are installed & tighten correctly. Suggest using white lithium / regular grease between the metal to metal contact surfaces.

4. Side Bar is not aligning with vehicle / Step Pads are not aligning with vehicle doors.

Side bar may be interchanged or mounting brackets are not installed at the correct position in the vehicle. Refer Parts identification guide.

5. Missing / Excess Hardware.

Recheck hardware count as per the part list.

6. Product not installing properly.

Ensure make model year, cab length and bed size of your vehicle is listed in the application. All installation steps are followed correctly.

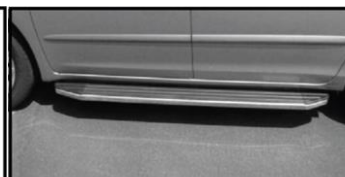
Check out these other TrailFX Products!!



SIDE BAR



HEADACHE RACKS



RUNNING BOARDS



ROCKER GUARDS

Keystone Automotive Operations Inc. (KAO) warrants this product to be free of defects in material and workmanship at the time of purchase by the original retail consumer. KAO disclaims any other warranties, express or implied, including the warranty of fitness for a particular purpose or an intended use. If the product is found to be defective, KAO may replace or repair the product at our option, when the product is returned prepaid, with proof of purchase. Alteration to, improper installation, or misuse of this product voids the warranty. KAO's liability is limited to repair or replacement of products found to be defective, and specifically excludes liability for any incidental or consequential loss or damage.