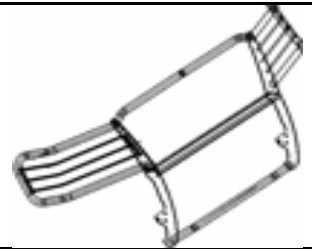




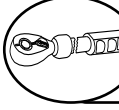
# Grille Guard

Part No. E0022S/B



Fits: 2015

Chevrolet Silverado 2500HD/3500



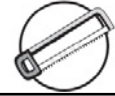
REMOVE CONTENTS FROM BOX. VERIFY ALL PARTS ARE PRESENT.

READ INSTRUCTIONS CAREFULLY BEFORE STARTING INSTALLATION.

DO NOT OVER TORQUE. STANDARD OPERATING LOAD FOR TIGHTEN BODY MOUNT NUTS & BOLTS VARIES FROM 45 TO 65 FOOT POUND.



60-180 min



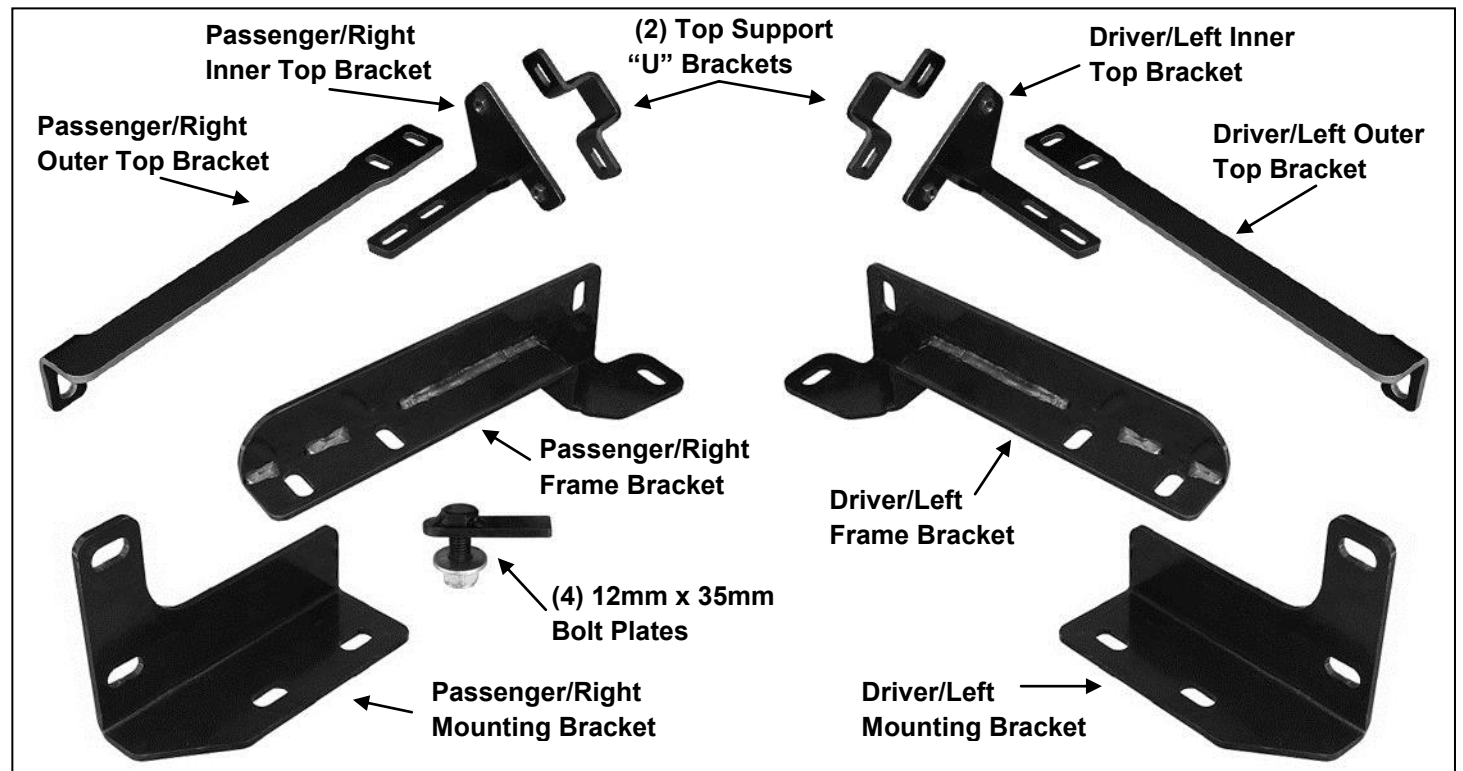
Cutting May Be Required



Drilling Not Required

### PARTS LIST:

Qty	Part Description	Qty	Part Description
1	Grille Guard Assembly	4	12-1.75mm Nylon Lock Nut
1	Driver/Left Frame Bracket	8	10-1.5mm x 30mm Button Head Bolt
1	Passenger/Right Frame Bracket	16	10mm x 24mm OD x 2.2mm Flat Washer
1	Driver/Left Grille Guard Mounting Bracket	8	10-1.5mm Nylon Lock Nut
1	Passenger/Right Grille Guard Mounting Bracket	2	8-1.25mm x 25mm Button Head Bolt
1	Driver/Left Top Bracket (Outer)	4	8-1.25mm x 25mm Hex Bolt
1	Driver/Left Top Bracket (Inner)	12	8mm x 22mm OD x 2mm Flat Washer
1	Passenger/Right Top Bracket (Outer)	6	8-1.25mm Nylon Lock Nut
1	Passenger/Right Top Bracket (Inner)	4	6-1.0mm x 25mm Hex Bolt
2	Top Support "U" Rear Plate	4	6mm x 18mm OD x 1.6mm Flat Washer
4	12-1.75mm x 35mm Bolt Plate	4	6mm Lock Washer
4	12mm x 32mm OD x 3mm Flat Washer		



## INSTALLATION PROCEDURE:

**DO NOT ATTEMPT INSTALLATION ALONE; PERSONAL INJURY OR DAMAGE TO THE VEHICLE MAY RESULT. CUTTING MAY BE REQUIRED. ASSISTANCE IS HIGHLY RECOMMENDED. GRILLE GUARD INSTALLATION MAY INTERFERE WITH FRONT MOUNTED SENSORS.**

1. Start installation at the front, passenger side of the vehicle. Determine if the vehicle is equipped with tow hooks, **(Figure 1)**.  
**Tow Hook equipped vehicles:**

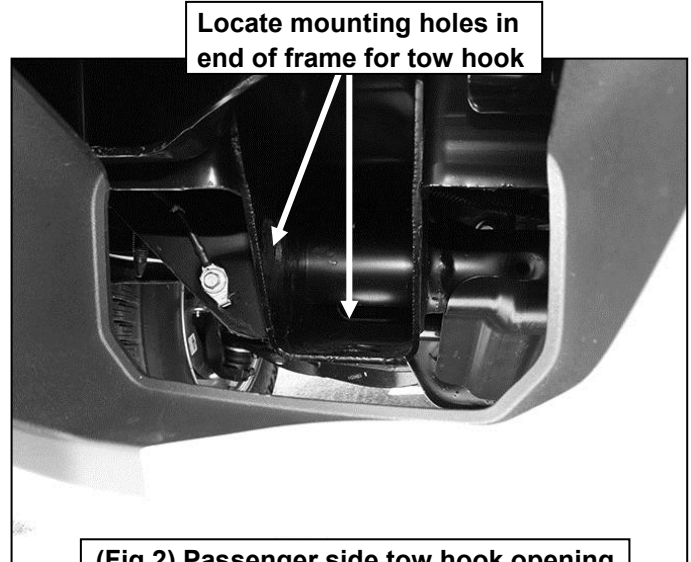
- a. Remove the factory tow hooks from the end of each frame channel, **(Figure 2)**. **NOTE:** Tow hooks cannot be reinstalled with the Grille Guard.

### Vehicles without tow hooks:

- a. Cut out the indented area in both sides of the plastic bumper to clear the Brackets only. **IMPORTANT:** Make several small cuts for best fit. .



**(Fig 1) Opening for tow hook pictured**

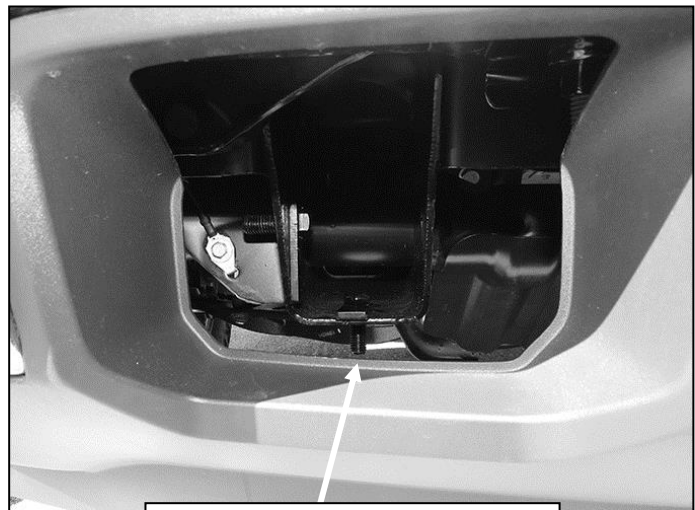


**(Fig 2) Passenger side tow hook opening**

2. Select (2) 12mm Bolt Plates, **(Figure 3A)**. Insert the Bolt Plates into the end of the frame channel and out through the holes in the bottom and outer side of the frame, **(Figure 3B)**.

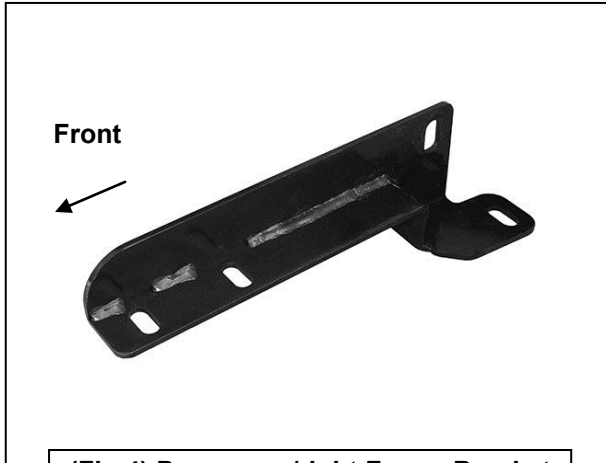


**(Fig 3A) 12mm Bolt Plate**



**(Fig 3B) Insert Bolt Plates through holes in end of frame**

3. Next, select the passenger side Frame Bracket, **(Figure 4)**. Insert the Bracket through the opening in the plastic bumper, **(Figure 5A)**. Line up the (2) holes in the Bracket with the Bolt Plates. Secure the Bracket to the Bolt Plates with (2) 12mm Flat Washers and (2) 12mm Nylon Lock Nuts, **(Figure 5B)**. Do not tighten hardware at this time.

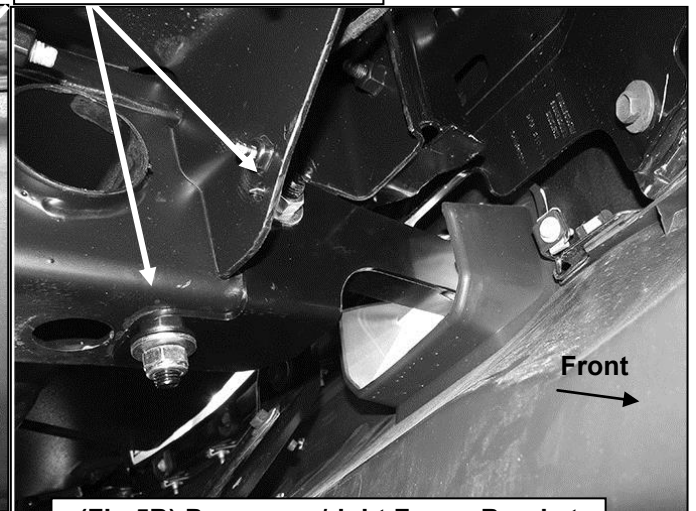


**(Fig 4) Passenger/right Frame Bracket**

(2) 12mm Bolt Plates  
(2) 12mm Flat Washers  
(2) 12mm Nylon Lock Nuts

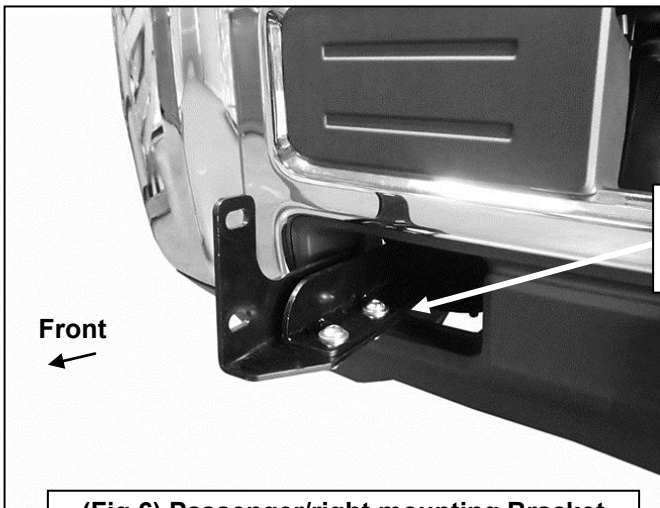


**(Fig 5A) Passenger/right Frame Bracket**



**(Fig 5B) Passenger/right Frame Bracket**

4. Next, select the passenger side Mounting Bracket. Bolt the Mounting Bracket to the bottom of the Frame Bracket with (2) 10mm x 30mm Button Head Bolts, (4) 10mm Flat Washers and (2) 10mm Nylon Lock Nuts, **(Figure 6)**. Do not tighten hardware at this time.



**(Fig 6) Passenger/right mounting Bracket**

(2) 10mm Button Head Bolts  
(4) 10mm Flat Washers  
(2) 10mm Nylon Lock Nuts

5. Repeat **Steps 2—4** to install the driver side Frame and Mounting Brackets.
6. Next, open the hood and remove the plastic cover between the top of the grille and the radiator, (**Figure 7A**). **NOTE:** Use a small flat head screw driver to pop up the center of the plastic clips. Remove the hardware securing the outer ends of the grille to the vehicle. Carefully pull the grille out to release it from the clips with the top of the grill tilted forward, (**Figure 7B**). It is not necessary to remove the grille, only tilt the top forward to access the area between the grille and the radiator.

Remove hardware securing grille to vehicle. Carefully pull the grille straight out from the vehicle. Tilt the top of the grille forward only to access the area behind the grille



**(Fig 7A) Remove plastic cover on top of grille**

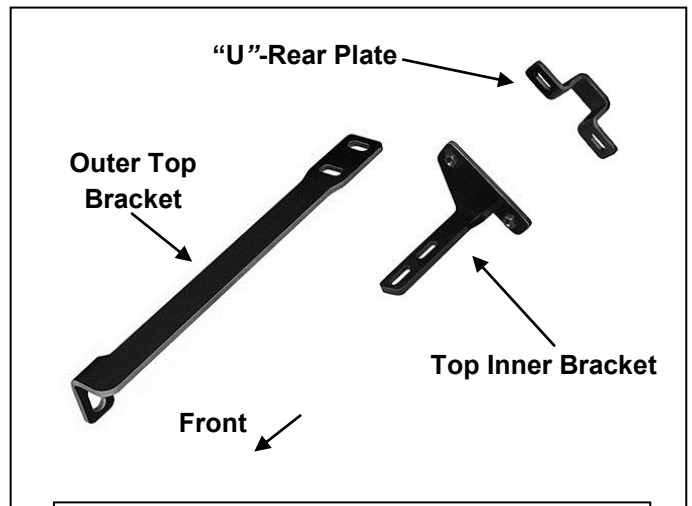


**Fig 7B**

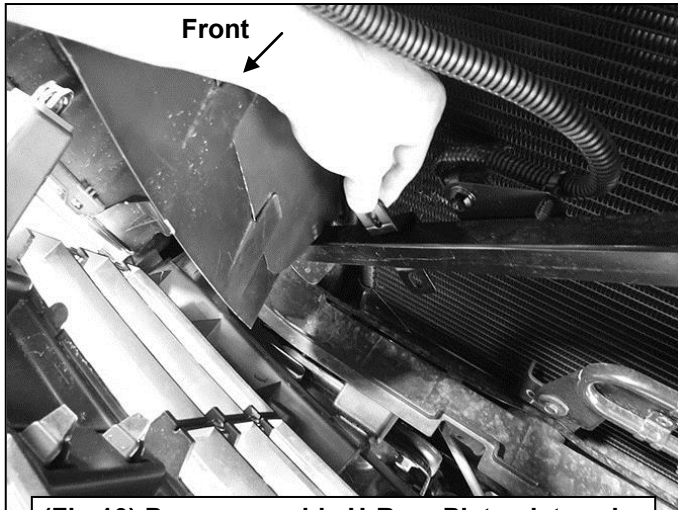
7. Locate the square tube support braces running up at an angle from the top of the frame channel to the bottom of the hood release mechanism, (**Figure 8**). Select the passenger side Inner Top Bracket and (1) "U" Backing Plate, (**Figure 9**). Hold the "U" Bracket up to and around the back of the square tube, (**Figure 10**). Bolt the Inner Top Bracket to the "U" Bracket with (2) 6mm x 25mm Hex Bolts, (2) 6mm Lock Washers and (2) 6mm Flat Washers, (**Figure 11**). Leave loose at this time.



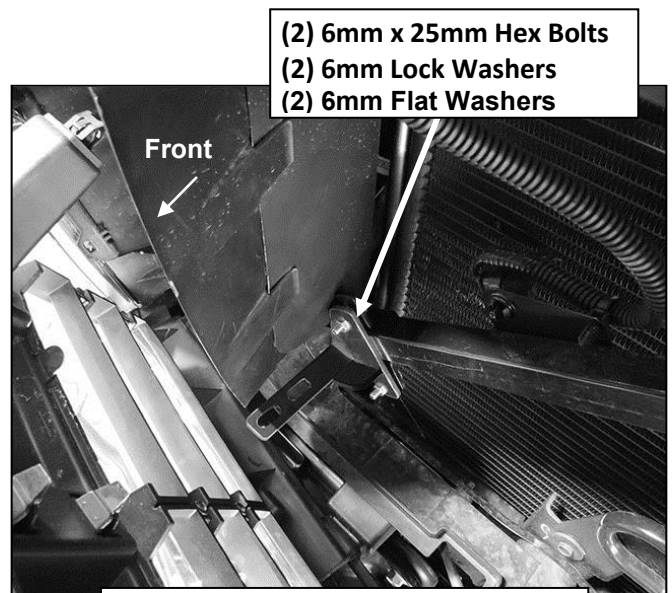
**Fig 8) Passenger side square tube support between grille and radiator pictured**



**Fig 9) Passenger side top Brackets pictured**



(Fig 10) Passenger side U-Rear Plate pictured



(Fig 11) Passenger side Top Inner Bracket and U Rear Plate pictured

8. Select the passenger side Outer Top Bracket, (Figure 9). Insert the Outer Bracket through the grille and up to the Inner Top Bracket assembly, (Figure 12). Bolt the Outer Bracket to the top of the Inner Bracket with (2) 8mm x 25mm Hex Bolts, (4) 8mm Flat Washers and (2) 8mm Nylon Lock Nuts. **NOTE:** Slide the Bracket assembly up or down the square tube to match up with the Outer Top Bracket. Leave hardware loose at this time.
9. Repeat **Steps 7 & 8** for driver side inner and outer Top Bracket installation.
10. With assistance, hold the Grille Guard up in position on the outside of the Mounting Brackets. Bolt the Grille Guard to the Brackets with (4) 10mm x 30mm Button Head Bolts, (8) 10mm Flat Washers and (4) 10mm Nylon Lock Nuts, (Figure 13). Do not tighten hardware at this time.

(2) 8mm x 25mm Hex Bolts  
(4) 8mm Flat Washers  
(2) 8mm Nylon Lock Nuts



(Fig 12) Passenger side Inner and Outer Bracket pictured

(2) 10mm Button Head Bolts  
(4) 10mm Flat Washers  
(2) 10mm Nylon Lock Nuts

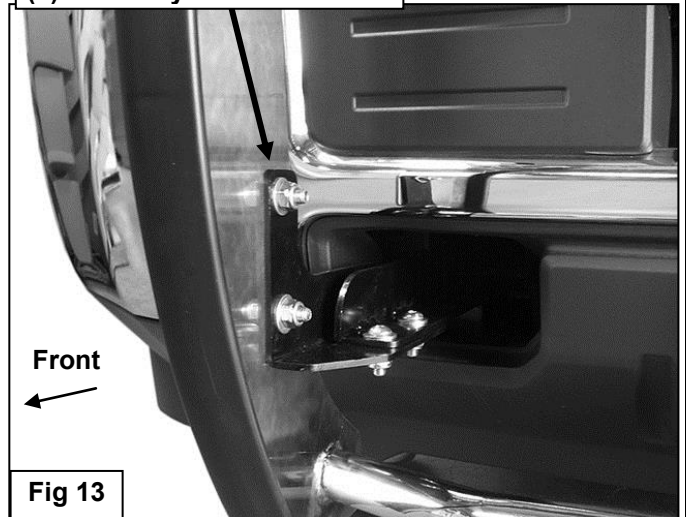
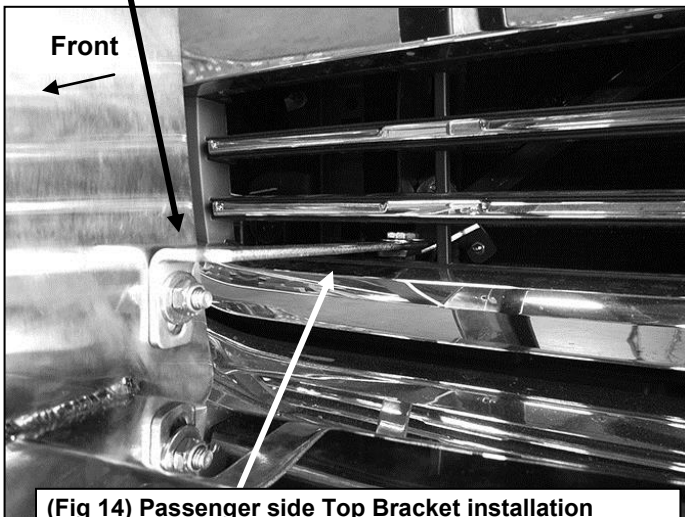


Fig 13

11. Line up the outer bent end of the Top Bracket with the hole in the Grille Guard upright. Bolt the Top Bracket to the upright with (1) 8mm x 25mm Button Head Allen Bolt, (2) 8mm Flat Washers and (1) 8mm Nylon Lock Nut, (Figure 14).
12. Level and adjust the Grille Guard and fully tighten all hardware. **IMPORTANT:** Adjust the position of the Top Brackets up or down as required so that they cannot come in contact with the plastic grille, (Figure 14).

**8mm x 25mm Button Head Bolt  
8mm Flat Washer  
8mm Nylon Lock Nut**



**(Fig 14) Passenger side Top Bracket installation pictured. Adjust position so that Bracket cannot come in contact with plastic grille**

13. Push the grille back into position and into the factory clips and secure with the factory hardware. Reinstall the top plastic cover using the factory hardware.
14. Do periodic inspections to the installation to make sure that all hardware is secure and tight.



## PRODUCT CARE

- Periodically check the product to ensure all fasteners are tight and components are intact.
- Regular waxing is recommended to protect the finish of the product.
- **Use ONLY Non-Abrasive automotive wax.** Use of any soap, polish or wax that contains an abrasive is detrimental and can scratch the finish leading to corrosion.
- Aluminum polish may be used to polish small scratches and scuffs for **Stainless Steel finish.**
- Mild soap may be used to clean the product for both **Stainless Steel and Black finish.**

### 1. **Hardware's are not of correct size.**

*In GMC / Chevrolet truck model 2006 & up, customer needs to reuse the factory body bolts to install the bracket. If your vehicle is not GMC / Chevrolet 2006 & up, ensure that holes are not partially covered with any plastic grommet or rust? If it is, remove the plastic grommet & rust from the thread holes & re-try the installation.*

### 2. **Mounting Bracket are not getting Installed properly.**

*In some cases Illustration images shown in Installation manual may not be the exactly same as per actual vehicle images ,also if Driver / Passenger side mounting brackets are very identical in the design, suggest referring Parts Identification guide to avoid fitment issue.*

### 3. **Products are thumping / rattling after installation.**

*Ensure that all required mounting brackets / hardware's are installed & tighten correctly. Suggest using white lithium / regular grease between the metal to metal contact surfaces.*

### 4. **Side Bar is not aligning with vehicle / Step Pads are not aligning with vehicle doors.**

*Side bar may be interchanged or mounting brackets are not installed at the correct position in the vehicle. Refer Parts identification guide.*

### 5. **Missing / Excess Hardware.**

*Recheck hardware count as per the part list.*

### 6. **Product not installing properly.**

*Ensure make model year, cab length and bed size of your vehicle is listed in the application. All installation steps are followed correctly.*