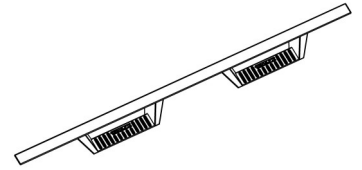




TrailFX Drop Down Step

Part No. DHS018B / DHS017B

Product image



Fits: 2019-2020 Ram 1500 Crew Cab / Quad Cab (excl. Classic)



TO AVOID BEING SCRATCHED, PLEASE PROTECT THE SURFACE OF THE TAILGATE VENT COVER CAREFULLY.



REMOVE CONTENTS FROM BOX. VERIFY ALL PARTS ARE PRESENT.



READ INSTRUCTIONS CAREFULLY BEFORE STARTING INSTALLATION.



ALIGN THE STEP BARS AS DESIRED AND TIGHTEN ALL M10 FASTENERS TO 30 ft. - lbs., AND THE M8 FASTENERS TO 15 ft.-lbs.



60 min



Cutting Not Required

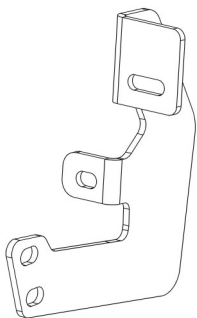


Drilling Not Required

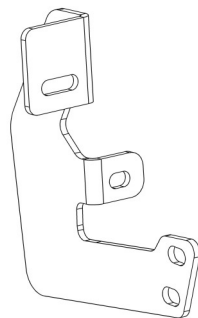
PARTS LIST:

Item	Qty	Part Description	Tools Needed
1	1	Step Bar Driver Side	13 MM SOCKET & WRENCH
2	1	Step Bar Passenger Side	14 MM SOCKET & WRENCH
3	1	Mounting Bracket Driver Side	15 MM SOCKET & WRENCH
4	1	Mounting Bracket Passenger Side	RATCHET
5	2	Mounting Bracket Center	TORQUE WRENCH
6	2	Mounting Bracket Rear	
7	6	Support Bracket	
8	12	M10 Flange Bolt	
9	12	M10 Flange Nut	
10	24	M8 Nut	
11	24	M8 Lock Washer	
12	24	M8 Flat Washer	
13	18	Plastic Retainer Square, M8	
14	6	Square Neck Bolt	

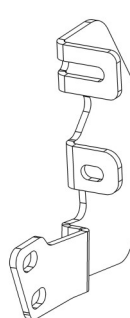
Mounting Kit Images



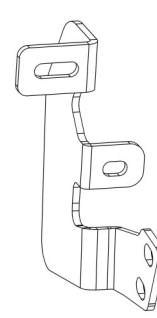
ITEM 3



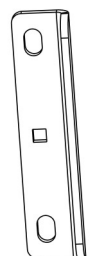
ITEM 4



ITEM 5

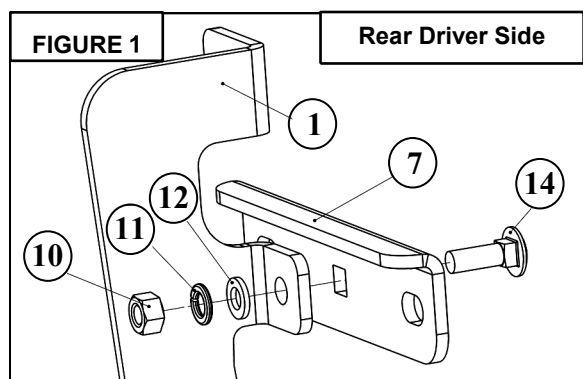
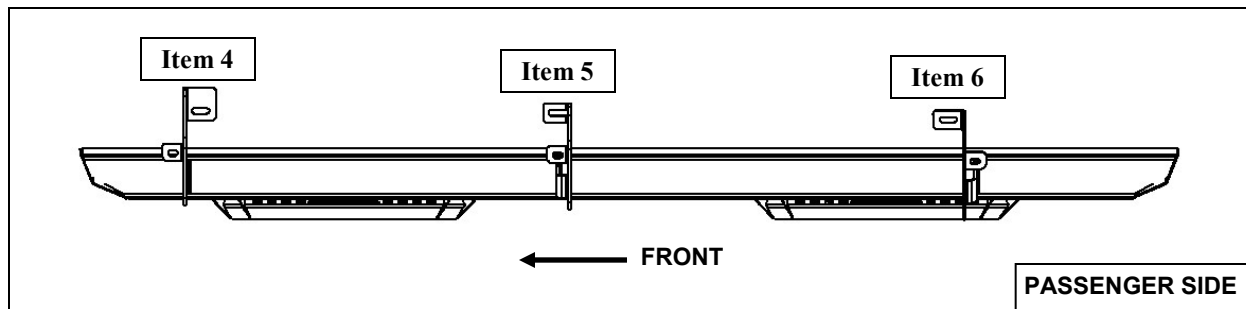


ITEM 6

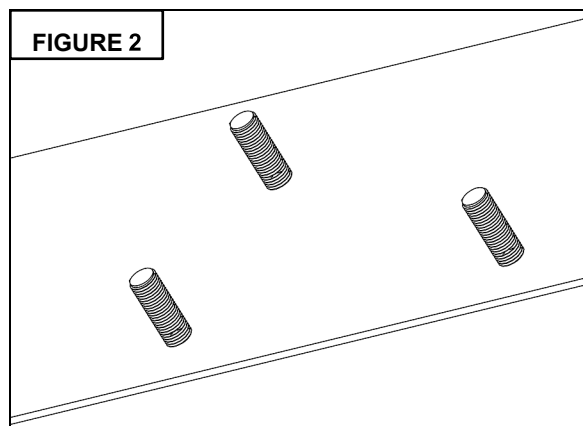


ITEM 7

INSTALLATION PROCEDURE



1. Preassemble the Mounting Brackets (3-7). Do not tighten hardware at this time. Assemble loosely. See **Figure 1**.

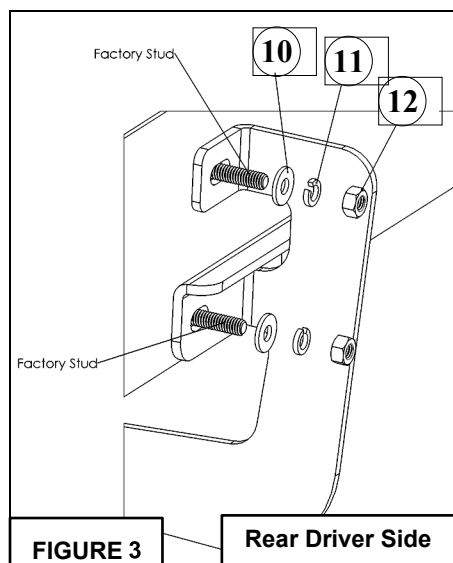


2. Starting on the driver side of the vehicle, locate the 3 mounting locations on the rocker panel.

Note A: The rear mounting location is shown in **Figure 2**. Other mounting locations are similar.

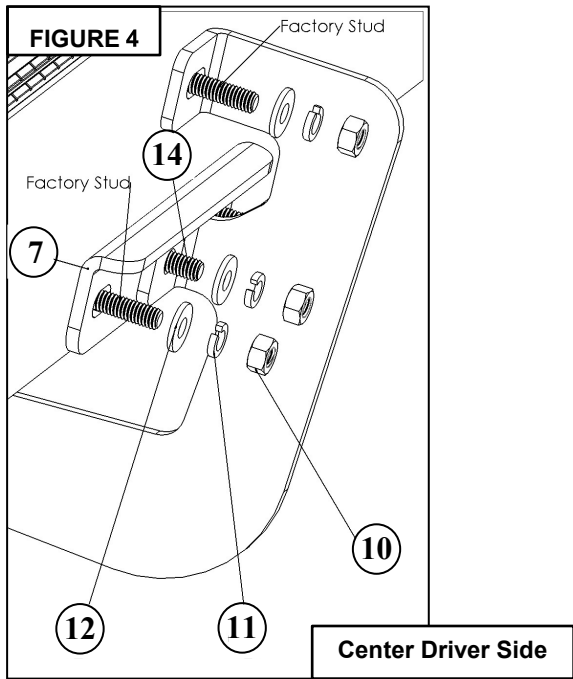
Note B: The lower two studs on the rocker panel have a thick coat of paint on them. When installing the M8 hex nuts, apply extra pressure to start. If necessary, back M8 hex nuts off the studs to clear build up.

See **Figure 2**.

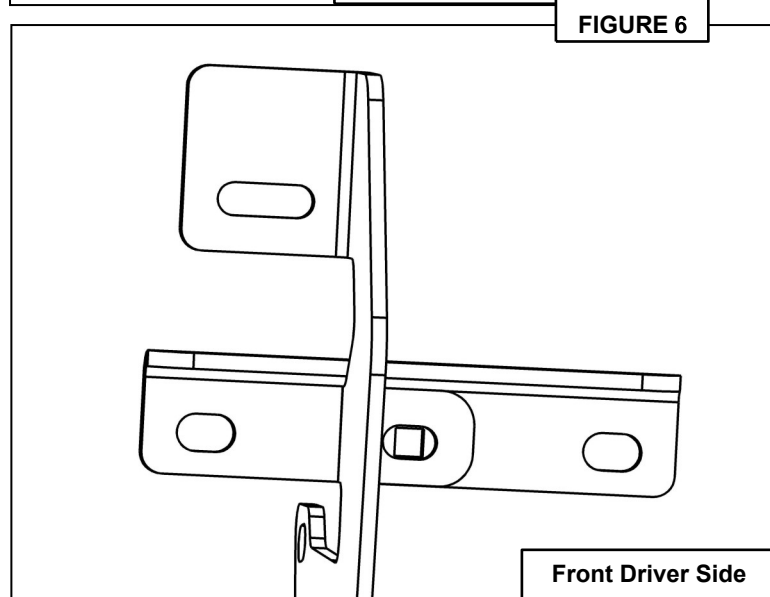
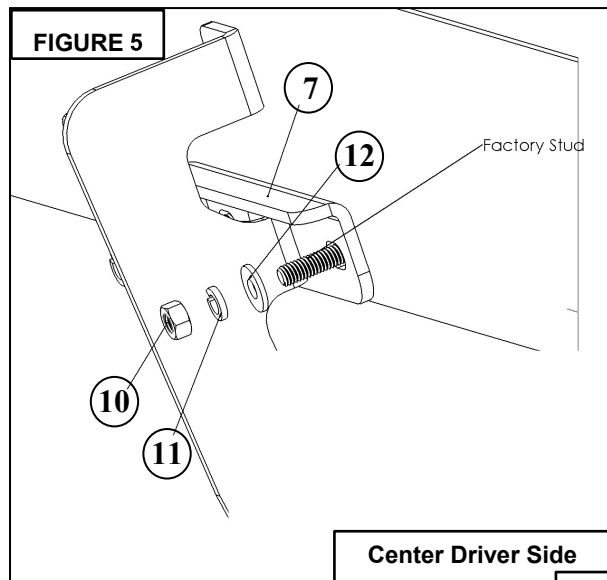


3. At the rear mounting location, loosely install Rear Mounting Bracket (6) with preassembled Universal Bracket (7) using the supplied M8 hardware. See **Figures 3 & 4**. Repeat for passenger side.

INSTALLATION PROCEDURE



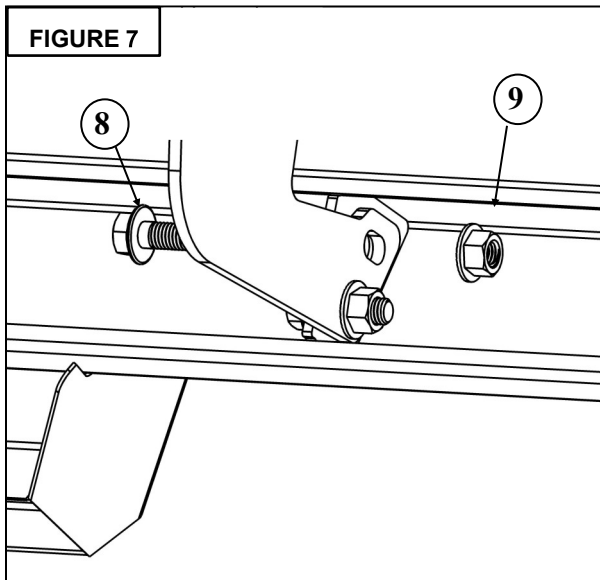
4. At the center driver mounting location, loosely install Center Mount Bracket (5) with preassembled Universal Bracket (7) using the supplied M8 hardware. See **Figures 4 & 5**.



5. At the front driver mounting location, loosely install Front Mounting Bracket (3) with preassembled Universal Mounting Bracket (7). *Note:* Installation is similar to Rear Mounting Bracket
6. Repeat **Steps 3-5** on the passenger side of the vehicle.

INSTALLATION PROCEDURE

FIGURE 7



7. Loosely install step bars respectively to either side using the M10 hardware provided with the step bars. See **Figure 7**.
8. Align and adjust the step bars as needed and fully tighten all hardware. Torque all M8 hardware to 15 ft.-lbs and all M10 hardware to 30 ft.-lbs.

COMPLETE INSTALLATION



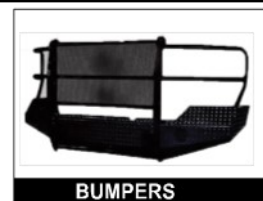
PRODUCT CARE

1. Periodically check the product to ensure all fasteners are tight and components are intact.
2. Mild soap may be used to clean the product.

FAQ's

1. **Mounting bracket are not getting Installed properly.**
In some cases Illustration images shown in Installation manual may not be the exactly same as per actual vehicle images ,also if Driver / Passenger side mounting brackets are very identical in the design, suggest referring Parts Identification guide to avoid fitment issue.
2. **Products are thumping / rattling after installation.**
Please ensure that all required mounting brackets / hardware's are installed & tighten correctly. Suggest using white lithium / regular grease between the metal to metal contact surfaces.
3. **Missing / Excess Hardware.**
Recheck hardware count as per the part list.
4. **Product not installing properly.**
Ensure make model year, cab length and bed size of your vehicle is listed in the application. All installation steps are followed correctly.

Check out these other TrailFX Products!!



Keystone Automotive Operations Inc. (KAO) warrants this product to be free of defects in material and workmanship at the time of purchase by the original retail consumer. KAO disclaims any other warranties, express or implied, including the warranty of fitness for a particular purpose or an intended use. If the product is found to be defective, KAO may replace or repair the product at our option, when the product is returned prepaid, with proof of purchase. Alteration to, improper installation, or misuse of this product voids the warranty. KAO's liability is limited to repair or replacement of products found to be defective, and specifically excludes liability for any incidental or consequential loss or damage.