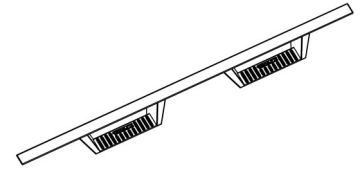




TrailFX Drop Down Step

Part No. DHS015B / DHS016B

Product image



Fits: 2009-2018 Ram 1500 Crew Cab / Quad Cab (Incl. Classic) 2010-2019 Ram 2500/3500 Crew Cab / Quad Cab



TO AVOID BEING SCRATCHED, PLEASE PROTECT THE SURFACE OF THE TAILGATE VENT COVER CAREFULLY.



REMOVE CONTENTS FROM BOX. VERIFY ALL PARTS ARE PRESENT.



READ INSTRUCTIONS CAREFULLY BEFORE STARTING INSTALLATION.



ALIGN THE STEP BARS AS DESIRED AND TIGHTEN ALL M10 FASTENERS TO 30 ft. - lbs., THE M8 FASTENERS TO 15 ft.-lbs., AND THE M6 FASTNERS TO 7 ft.-lbs.



60 min



Cutting Not Required

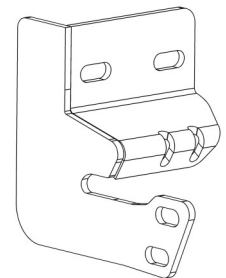
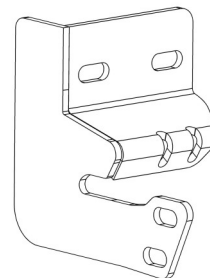
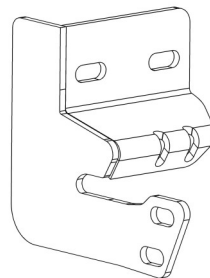
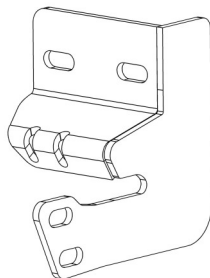
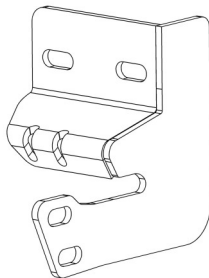
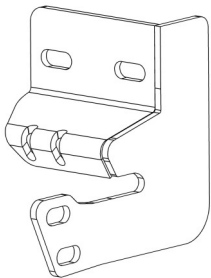


Drilling Required

PARTS LIST:

Item	Qty	Part Description	Tools Needed
1	1	Step Bar Driver Side	10 MM SOCKET & WRENCH
2	1	Step Bar Passenger Side	13 MM SOCKET & WRENCH
3	1	Mounting Bracket Left	14 MM SOCKET & WRENCH
4	1	Mounting Bracket Right	15 MM SOCKET & WRENCH
5	8	M8 Riv-Nut	ALLEN KEY SET
6	12	M8 Bolt	RATCHET
7	12	M8 Lock Washer	TORQUE WRENCH
8	6	M8 Flat Washer Big	
9	6	M8 Flat Washer Small	
10	12	M6 Flange Nut	
11	12	M6 Flat Washer	
12	12	M6 Button Head Bolt	
13	12	M10 Flange Bolt	
14	12	M10 Flange Nut	
15	6	M8 Nut Plate	
16	6	M10 Plastic Retainer	
17	1	Long M8 Bolt	

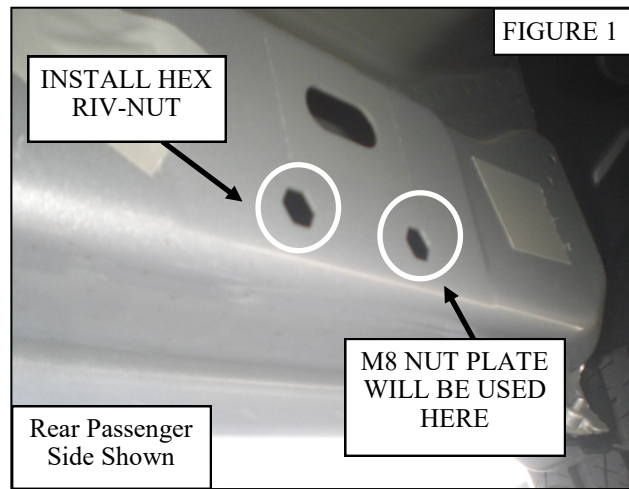
Mounting Kit Images



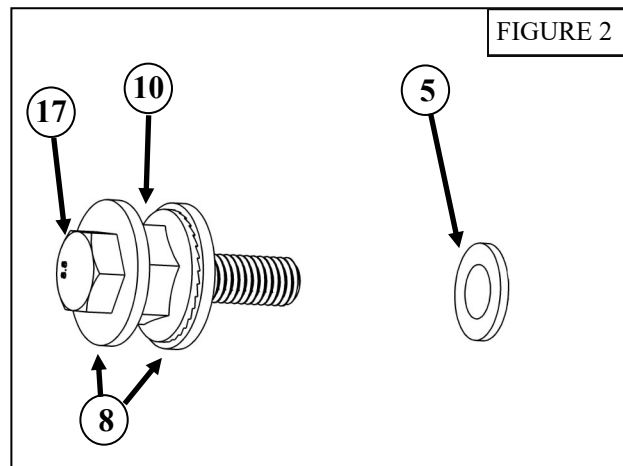
ITEM 3

ITEM 4

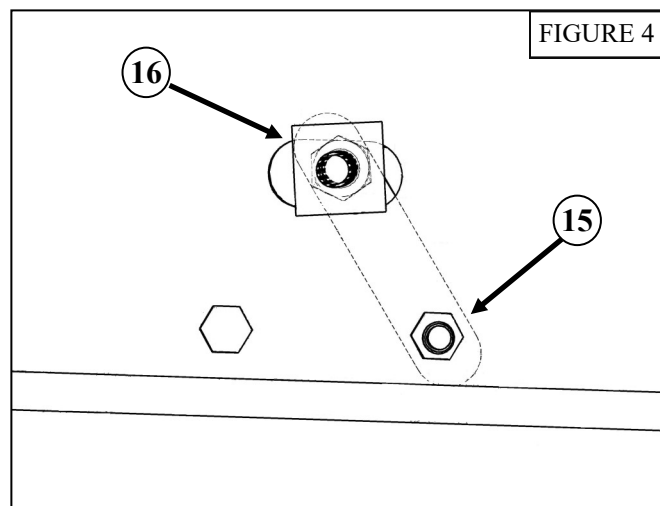
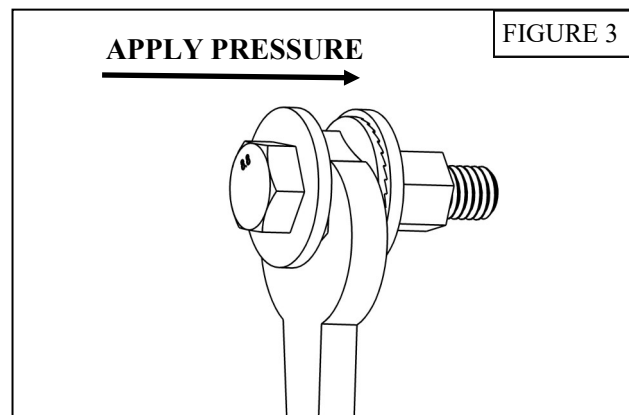
INSTALLATION PROCEDURE



1. If factory riv-certs are present, skip to step 3. If no factory riv-nuts are present, **skip to step 2.**

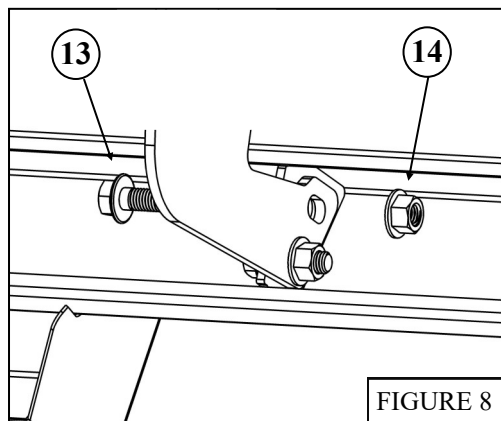
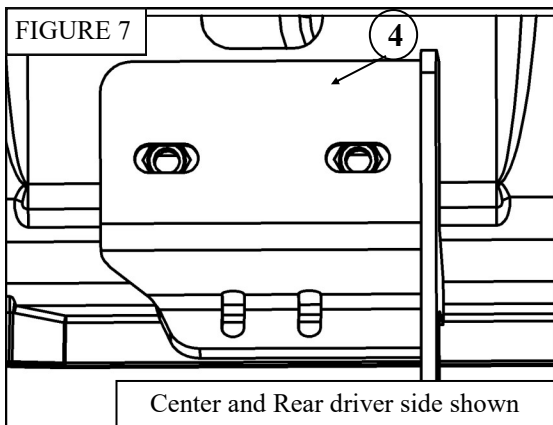
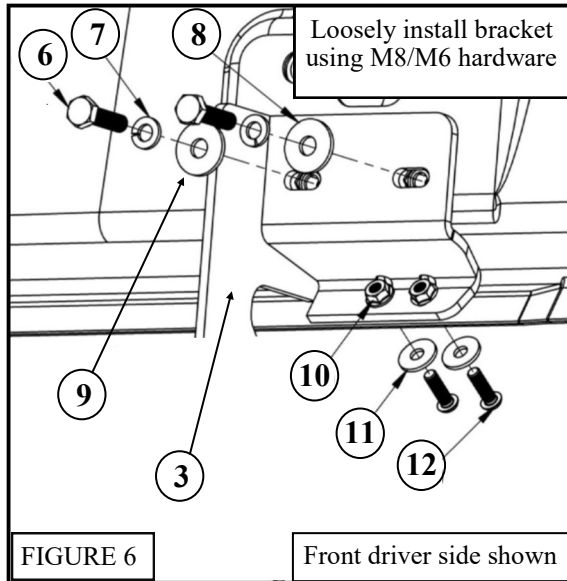
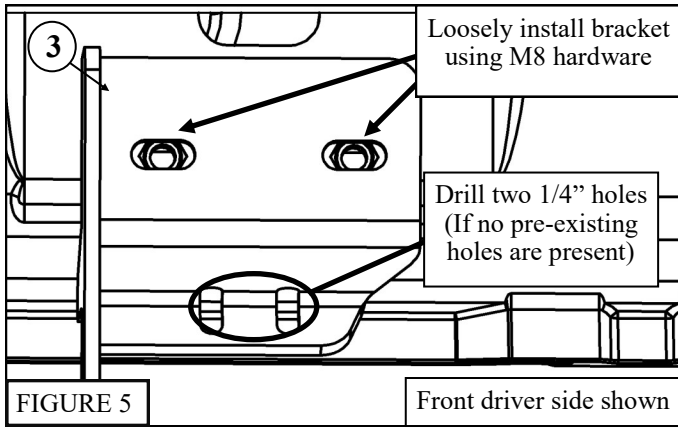


2. Install 1 hex riv-nut onto rocker panel using 2 washers an M10 flange nut and a long M8 bolt. Use a wrench to hold the M10 flange nut in place while you torque the bolt. Be sure to apply pressure while torquing the bolt to keep the riv nut from falling off of the rocker panel. Do this to all 6 mounting locations. **See Figure 1-3.**



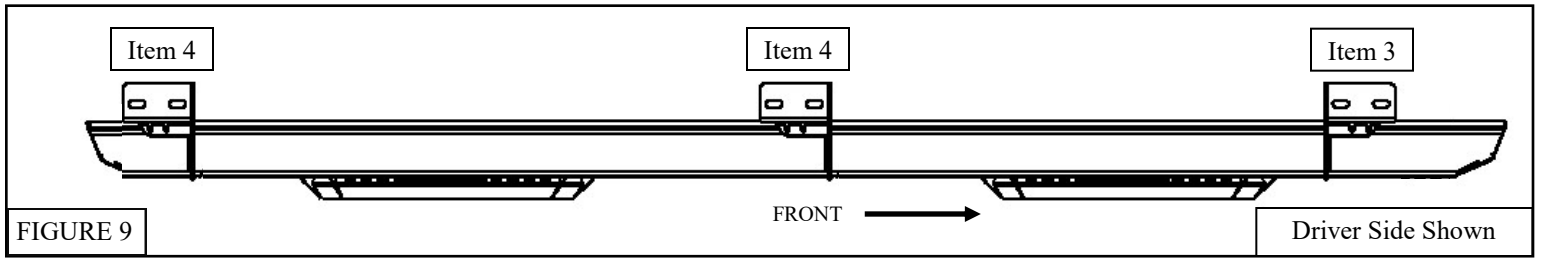
3. Grab a M8 nut plate and M10 plastic retainer and install to the rocker panel. The nut plate will be used for the mount location opposite of the riv-nut. **See Figure 4.**

INSTALLATION PROCEDURE



4. **Starting from the driver side:** Loosely install the front mounting bracket onto the rocker panel by using (2) long M8 hex cap screws, (2) M8 lock washers, (1) M8 big flat washers, and (1) small flat washers. For the pinch weld, attach bracket by using the provided black zinc M6 hardware. *Note:* Drilling of two 1/4" holes might be necessary on pinch weld if factory holes are not present. Before drilling place masking tape on drill surface to prevent paint chipping.) See **Figure 5 & 6.**

5. At the center and rear driver side location install similarly as the front driver. Repeat **Steps 3-4** on the passenger side of the vehicle. See **Figure 7.**
6. Loosely install step bars respectively to either side using the M10 hardware provided with the step bars. See **Figure 8.**
7. Align and adjust the step bars as needed and fully tighten all hardware.
8. See **Figure 9** for reference.



COMPLETE INSTALLATION



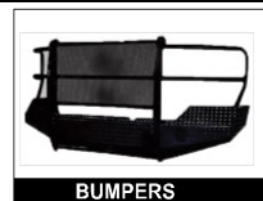
PRODUCT CARE

1. Periodically check the product to ensure all fasteners are tight and components are intact.
2. Mild soap may be used to clean the product.

FAQ's

1. **Mounting bracket are not getting Installed properly.**
In some cases Illustration images shown in Installation manual may not be the exactly same as per actual vehicle images ,also if Driver / Passenger side mounting brackets are very identical in the design, suggest referring Parts Identification guide to avoid fitment issue.
2. **Products are thumping / rattling after installation.**
Please ensure that all required mounting brackets / hardware's are installed & tighten correctly. Suggest using white lithium / regular grease between the metal to metal contact surfaces.
3. **Missing / Excess Hardware.**
Recheck hardware count as per the part list.
4. **Product not installing properly.**
Ensure make model year, cab length and bed size of your vehicle is listed in the application. All installation steps are followed correctly.

Check out these other TrailFX Products!!



Keystone Automotive Operations Inc. (KAO) warrants this product to be free of defects in material and workmanship at the time of purchase by the original retail consumer. KAO disclaims any other warranties, express or implied, including the warranty of fitness for a particular purpose or an intended use. If the product is found to be defective, KAO may replace or repair the product at our option, when the product is returned prepaid, with proof of purchase. Alteration to, improper installation, or misuse of this product voids the warranty. KAO's liability is limited to repair or replacement of products found to be defective, and specifically excludes liability for any incidental or consequential loss or damage.