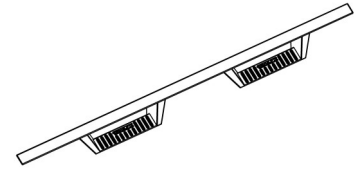




Product Description

Part No. DHS007B

Product image



Fits: F-150 SuperCrew 2009-2014



TO AVOID BEING SCRATCHED, PLEASE PROTECT THE SURFACE OF THE TAILGATE VENT COVER CAREFULLY.



REMOVE CONTENTS FROM BOX. VERIFY ALL PARTS ARE PRESENT.



READ INSTRUCTIONS CAREFULLY BEFORE STARTING INSTALLATION.



ALIGN THE STEP BARS AS DESIRED AND TIGHTEN ALL M10 FASTENERS TO 30 ft. - lbs., AND THE M8 FASTENERS TO 15 ft.-lbs.



60 min



Cutting Not Required

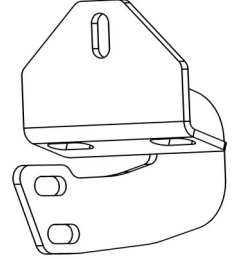
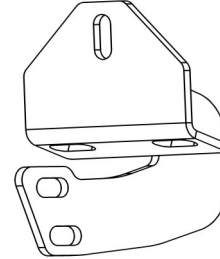
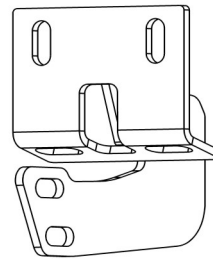
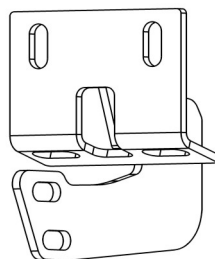
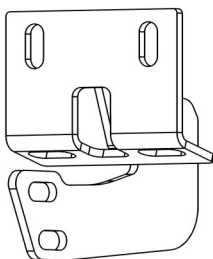
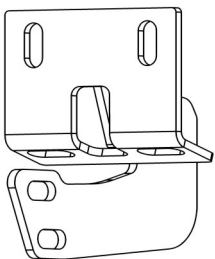


Drilling Not Required

PARTS LIST:

Item	Qty	Part Description	Tools Needed
1	1	Step Bar Driver Side	13 MM SOCKET & WRENCH
2	1	Step Bar Passenger Side	14 MM SOCKET & WRENCH
3	4	Mounting Bracket	15 MM SOCKET & WRENCH
4	2	Center Mounting Bracket	RATCHET
5	10	M10 Flange Nut	TORQUE WRENCH
6	10	M8 Extruded U Nut Clip	
7	22	M8 Button Head Bolt (Black)	
8	22	M8 Flat Washer (Black)	
9	12	M10 Flange Bolt	
10	12	M8 Hex Nut	
11	12	M8 Hex Bolt	
12	12	M8 Lock Washer	
13	12	M8 Flat Washer	

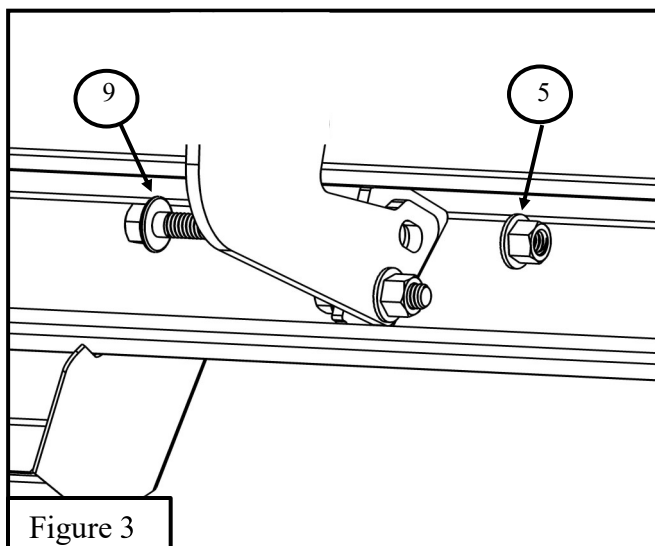
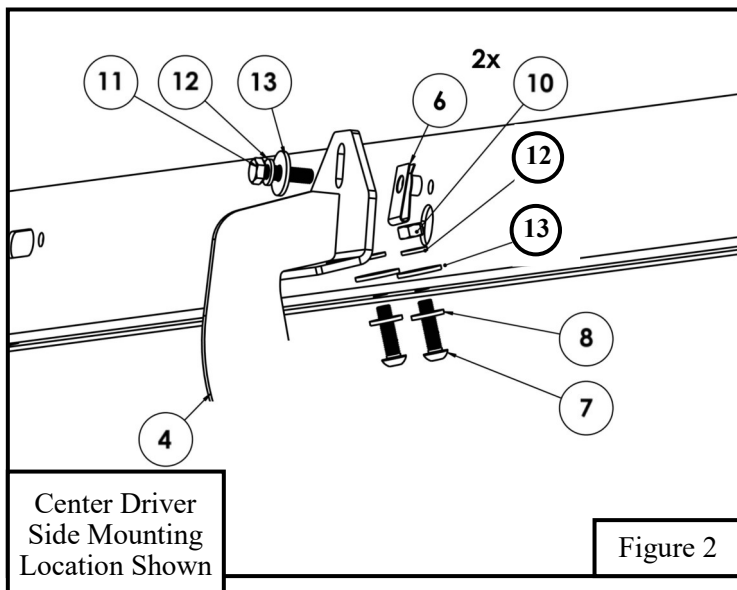
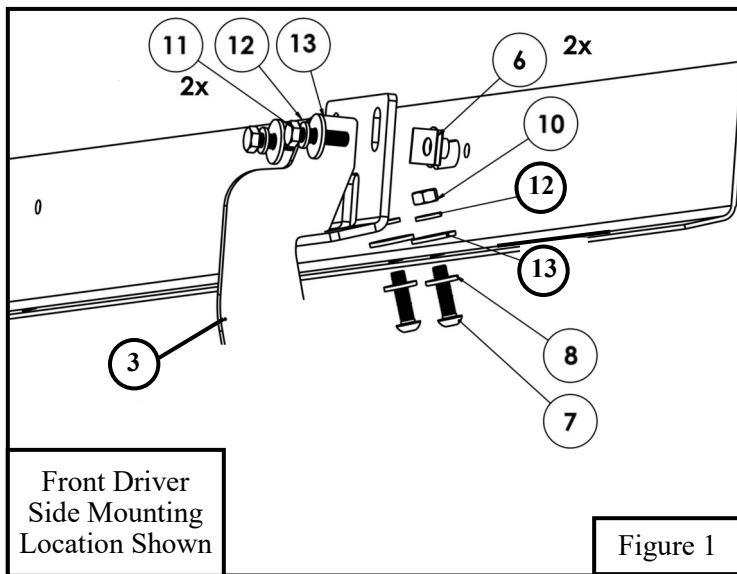
Mounting Kit Images



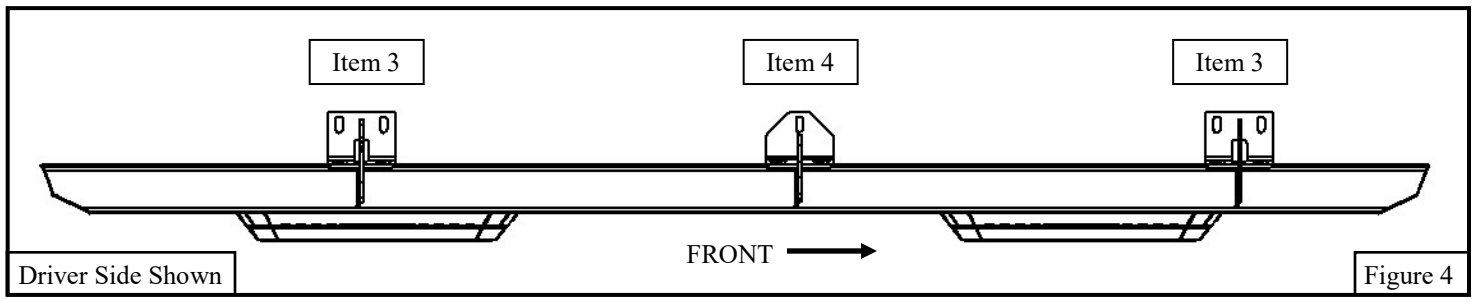
Item 3

Item 4

INSTALLATION PROCEDURE



1. Start installation on driver's side. Remove factory tape covering holes on the rocker panel. These holes will be where the M8 nut clips will be installed. See **Figure 1 and 2**.
2. Hold up mounting bracket and loosely install (2) M8 hex head cap screw, (2) M8 lock washer, and (2) M8 flat washer into previously installed M8 nut clips. Then loosely install M8 hardware to mounting bracket and holes in the pinch weld; (1) M8 hex nut, (2) lock washer, (2) M8 flat washers, and (2) M8 button head cap screw. Similar installation for center mounting bracket. See **Figure 1 and 2**.
3. Repeat steps 2-3 for all other mounting locations.
4. Grab Driver Side Bar and loosely install to mount brackets with (6) M10 Flange bolts and (6) Serrated Flange Nuts. See **Figure 3**.
5. Repeat for passenger side.
6. Align and adjust the step bars as needed and tighten all hardware.
7. See **Figure 4** for reference.



PRODUCT CARE

1. Periodically check the product to ensure all fasteners are tight and components are intact.
2. Regular waxing is recommended to protect the finish of the product.
3. **Use ONLY Non-Abrasive automotive wax.** Use of any soap, polish or wax that contains an abrasive is detrimental and can scratch the finish leading to corrosion.
4. Aluminum polish may be used to polish small scratches and scuffs for **Stainless Steel finish.**
5. Mild soap may be used to clean the product for both **Stainless Steel and Black finish.**

FAQ's

1. **Mounting bracket are not getting Installed properly.**
In some cases Illustration images shown in Installation manual may not be the exactly same as per actual vehicle images ,also if Driver / Passenger side mounting brackets are very identical in the design, suggest referring Parts Identification guide to avoid fitment issue.
2. **Products are thumping / rattling after installation.**
Please ensure that all required mounting brackets / hardware's are installed & tighten correctly. Suggest using white lithium / regular grease between the metal to metal contact surfaces.
3. **Missing / Excess Hardware.**
Recheck hardware count as per the part list.
4. **Product not installing properly.**
Ensure make model year, cab length and bed size of your vehicle is listed in the application. All installation steps are followed correctly.

Check out these other TrailFX Products!!



Keystone Automotive Operations Inc. (KAO) warrants this product to be free of defects in material and workmanship at the time of purchase by the original retail consumer. KAO disclaims any other warranties, express or implied, including the warranty of fitness for a particular purpose or an intended use. If the product is found to be defective, KAO may replace or repair the product at our option, when the product is returned prepaid, with proof of purchase. Alteration to, improper installation, or misuse of this product voids the warranty. KAO's liability is limited to repair or replacement of products found to be defective, and specifically excludes liability for any incidental or consequential loss or damage.