



A4 ALUMINIUM STEP BAR

Part No. AL4005B



Fits: 2019-2020 1500 CHEVY SILVERADO/GMC SIERRA DOUBLE CAB & 2020 SILVERADO/SIERRA 2500/3500 DOUBLE CAB



EXCLUDES 2019 SILVERADO 1500 LD & 2019 SIERRA 1500 LIMITED
INCLUDES DIESEL MODELS W/DEF



120 mins



Cutting Not Required



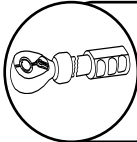
Drilling Not Required



REMOVE CONTENTS FROM BOX. VERIFY ALL PARTS ARE PRESENT.



READ INSTRUCTIONS CAREFULLY BEFORE STARTING INSTALLATION.



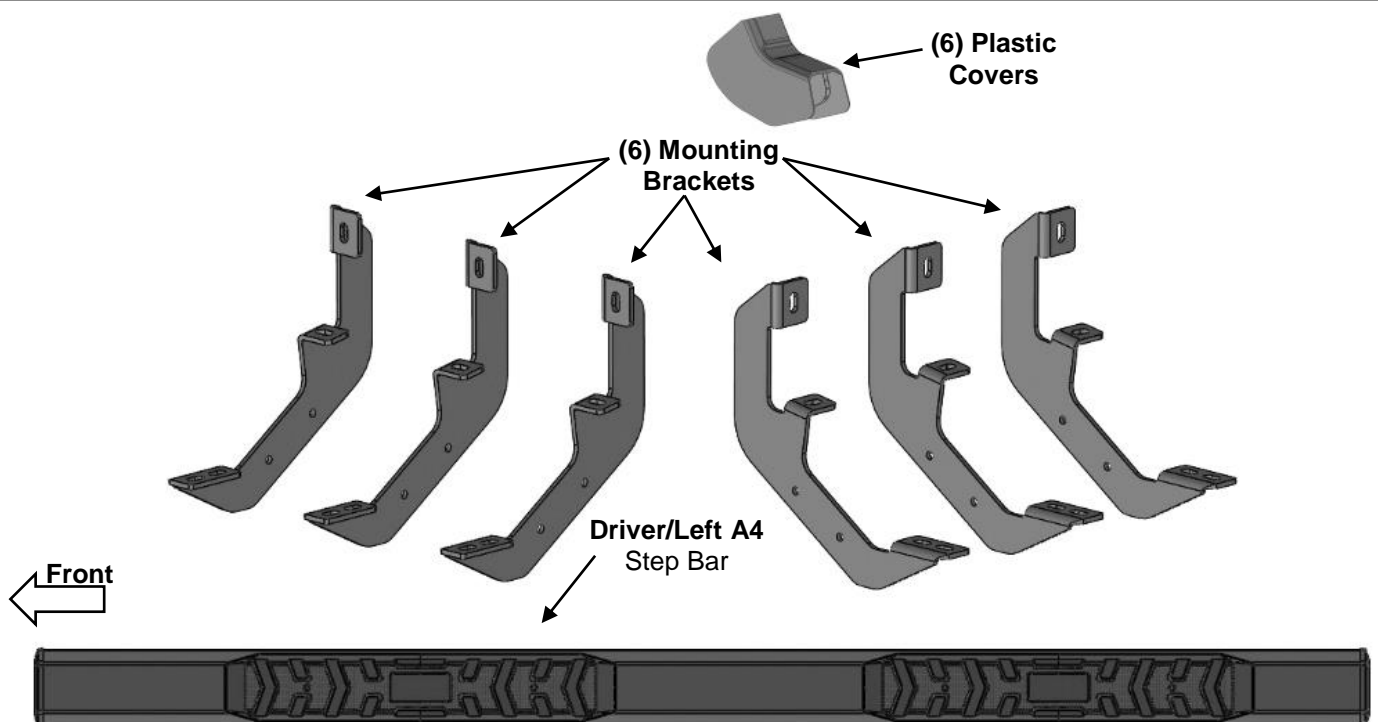
DO NOT OVER TORQUE. STANDARD OPERATING LOAD FOR TIGHTENING BODY MOUNT NUTS & BOLTS VARIES FROM 18 TO 20 FOOT POUND FOR M8 HARDWARE.

PARTS LIST:

Qty	Part Description	Qty	Part Description
1	Driver/Left A4 Step Bar	12	8mm x 30mm Hex Bolts
1	Passenger/Right A4 Step Bar	12	8mm x 20mm T-Bolts
6	Mounting Brackets	24	8mm Lock Washers
6	Plastic Cover	24	8mm x 24mm OD x 2mm Flat Washers
12	Plastic Clips	12	8mm Hex Nuts

REPLACEMENT PARTS LIST (NOT INCLUDED IN BOX)

1	Step Pad Pack (Includes clips) - G9029	1	End Caps Pack - G9030
1	Bracket Cover Pack - G9031		



PROCEDURE:

REMOVE CONTENTS FROM BOX. VERIFY ALL PARTS ARE PRESENT. READ INSTRUCTIONS CAREFULLY BEFORE STARTING INSTALLATION. ASSISTANCE IS RECOMMENDED.

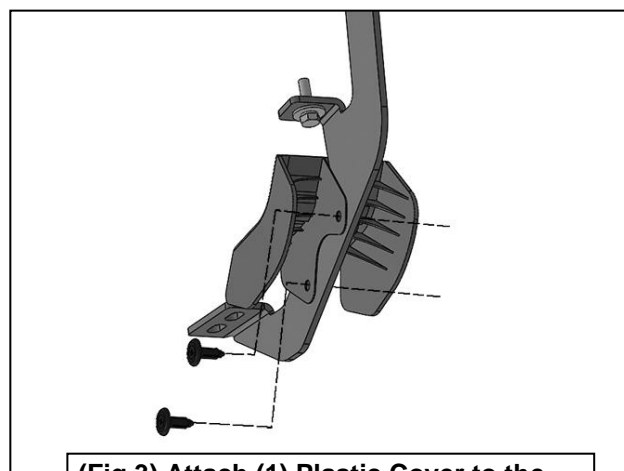
1. Start the installation under the Passenger/Right side of the vehicle. Locate the 4 plugs along the bottom edge of the body. Mounting Brackets will attach to the 1st, 2nd and 4th threaded mounting holes, **(Figures 1, 4 & 5)**. Remove the plastic plugs from each mounting location. Directly above each threaded hole is a top mounting location on the side of the body panel. Hold a Bracket up in place to help determine the mounting holes to use along the body. **NOTE:** Thread an 8mm Hex Bolt into the threaded holes to clear paint as required.
2. Select (1) Mounting Bracket. Attach the Mounting Bracket to the factory threaded holes with (2) 8mm Hex Bolts, (2) 8mm Lock Washers and (2) 8mm Flat Washers, **(Figure 2)**. Do not tighten hardware.
3. Select (1) Plastic Cover. Attach the Cover to the Mounting Bracket with (2) Plastic Clips, **(Figure 3)**.
4. Move along the body to the next mounting location. Repeat **Steps 1—3** to attach a Mounting Bracket to the 2nd (center) and rear mounting locations.
5. Select the Passenger/Right A4 Step Bar. Insert (6) T-Bolts into the channels in the bottom of the Sidebar, (3) per channel, **(Figure 6)**. Attach the Sidebar to the Mounting Brackets with (6) 8mm Flat Washers, (6) 8mm Lock Washers and (6) 8mm Hex Nuts, **(Figure 7)**.
6. Level and adjust the Sidebar and fully tighten all hardware.
7. Repeat **Steps 1—6** to attach the Driver/Left Sidebar.
8. Do periodic inspections to the installation to make sure that all hardware is secure and tight.

To protect your investment. Do not use any type of polish or wax that may contain abrasives that could damage the finish. Mild soap may be used also to clean Sidebars.

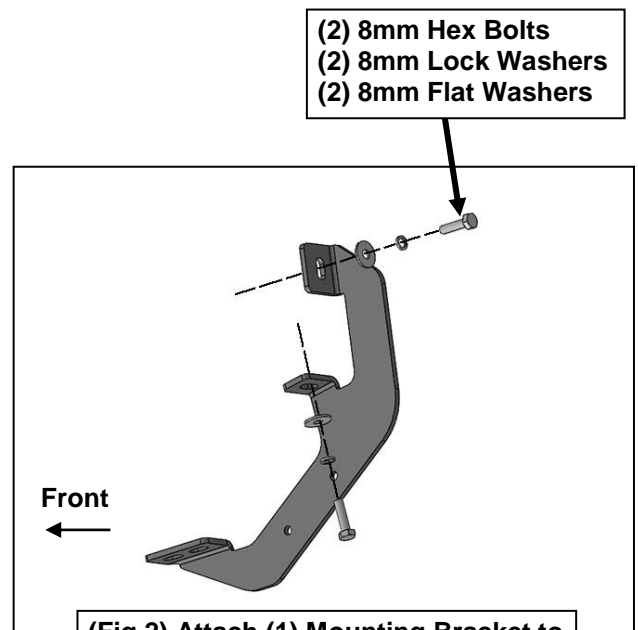
Passenger/Right side Installation Pictured



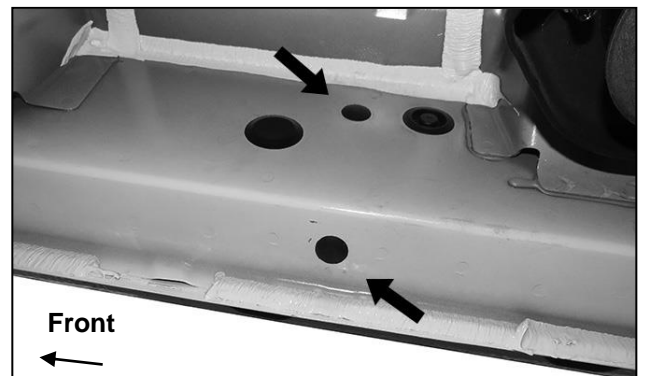
(Fig 1) Remove plastic plugs (arrows) to uncover threaded holes in floor



(Fig 3) Attach (1) Plastic Cover to the Mounting Bracket with (2) Plastic Clips



(Fig 2) Attach (1) Mounting Bracket to the Passenger/Right front location

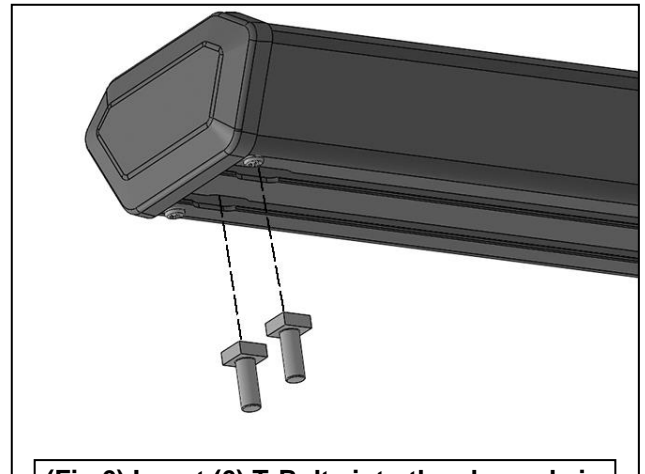


(Fig 4) Passenger/right 2nd (center) mounting location

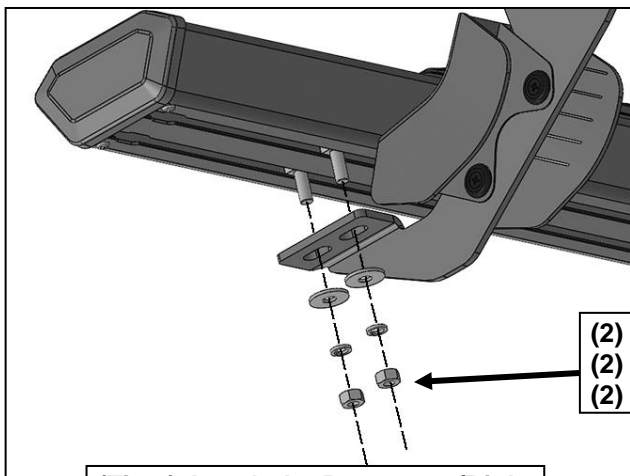
Passenger/Right side Installation Pictured



(Fig 5) Passenger/right rear mounting location



(Fig 6) Insert (6) T-Bolts into the channels in the bottom of the Sidebar, (3) per channel



- (2) 8mm Flat Washers
- (2) 8mm Lock Washers
- (2) 8mm Hex Nuts

(Fig 7) Attach the Passenger/Right Sidebar to the Mounting Brackets

PRODUCT CARE

- Periodically check the product to ensure all fasteners are tight and components are intact.
- For cleaning, use mild soap and warm water with a soft cloth or brush to prevent scratching.

FAQ's

1. Hardware and mounting brackets are not aligning properly

Ensure that hardware is being used on the correct side of the vehicle. In some cases, the hardware may appear same for driver or passenger side but may alter the alignment of mounting location. Check mounting brackets for both sides.

2. Step Bar is not aligning with vehicle / doors

Step bars may be interchanged or reversed (Driver / Passenger Side). Check step bar for each side as well ensure the proper hardware has been used for each side.

3. Products are thumping / rattling after installation.

Ensure that all required mounting brackets / hardware's are installed & tighten correctly. Suggest using white lithium / regular grease between metal to metal contact.

4. Missing / Excess Hardware.

Recheck hardware count as per the part list.

5. Product not installing properly.

Ensure the Year / Make / Model as well as cab and bed dimensions are correct for the application. Review all steps for installation to ensure they were followed correctly.

Check out these other TrailFX Products!



HOOD PROTECTOR



FENDER FLARES



TONNEAU COVER



BED LINERS

Keystone Automotive Operations Inc. (KAO) warrants this product to be free of defects in material and workmanship at the time of purchase by the original retail consumer. KAO disclaims any other warranties, express or implied, including the warranty of fitness for a particular purpose or an intended use. If the product is found to be defective, KAO may replace or repair the product at our option, when the product is returned prepaid, with proof of purchase. Alteration to, improper installation, or misuse of this product voids the warranty. KAO's liability is limited to repair or replacement of products found to be defective, and specifically excludes liability for any incidental or consequential loss or damage.