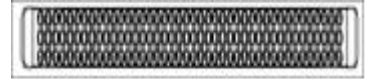




**Aggressive Hitch Step Board - 6" Drop Down**  
**Part No. AHS002B**



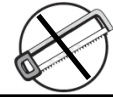
**Fits: Universal Application for 2" Receiver Hitch Tube**



EXCLUDES CLASS 1 & 2 RECEIVERS  
 ONLY FOR 2" RECEIVER HITCH



60-180 min



Cutting Not  
 Required



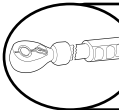
Drilling Not  
 Required



REMOVE CONTENTS FROM BOX. VERIFY ALL PARTS ARE PRESENT.



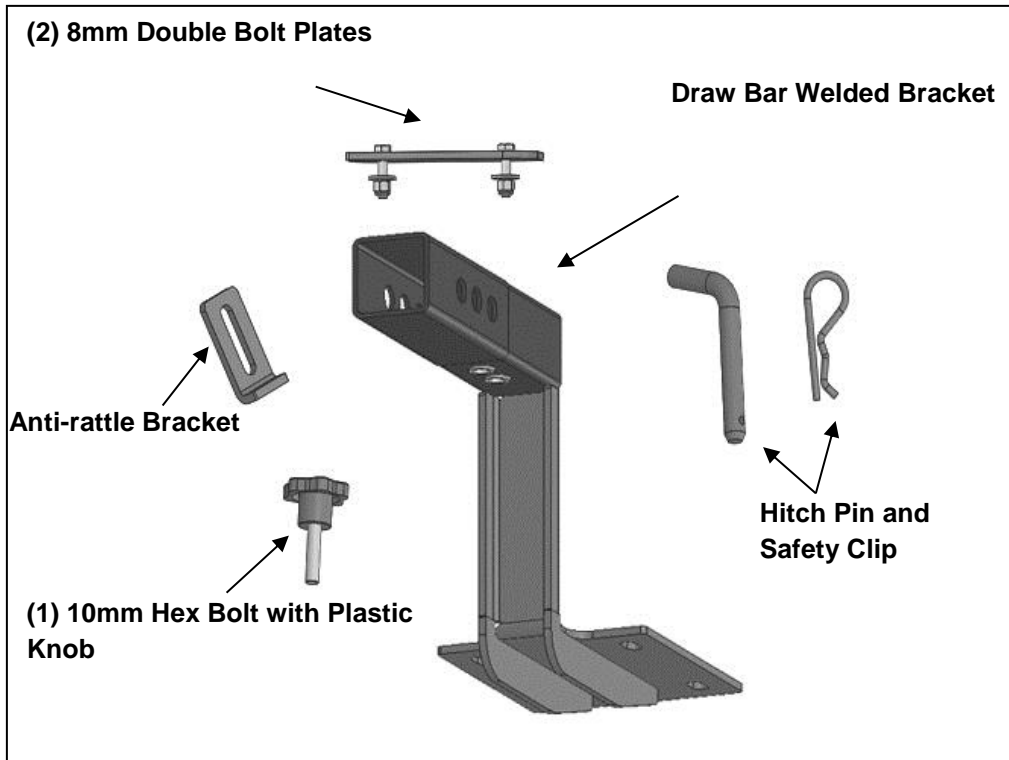
READ INSTRUCTIONS CAREFULLY BEFORE STARTING INSTALLATION.



DO NOT OVER TORQUE. STANDARD OPERATING LOAD FOR TIGHTEN  
 BODY MOUNT NUTS & BOLTS VARIES FROM **45** TO **65** FOOT POUND.

**PARTS LIST:**

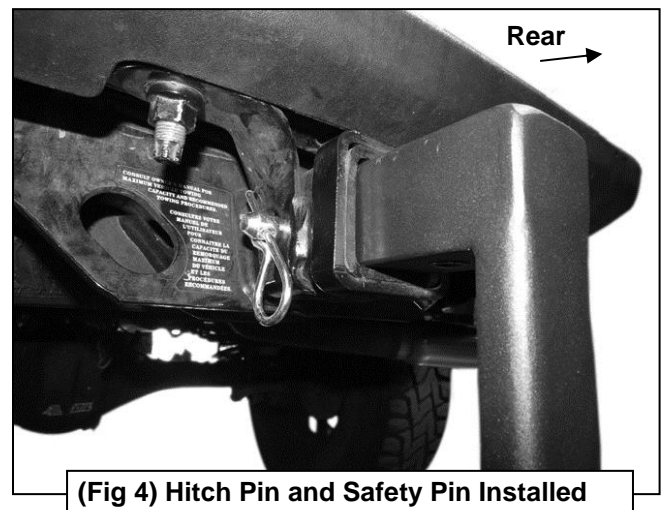
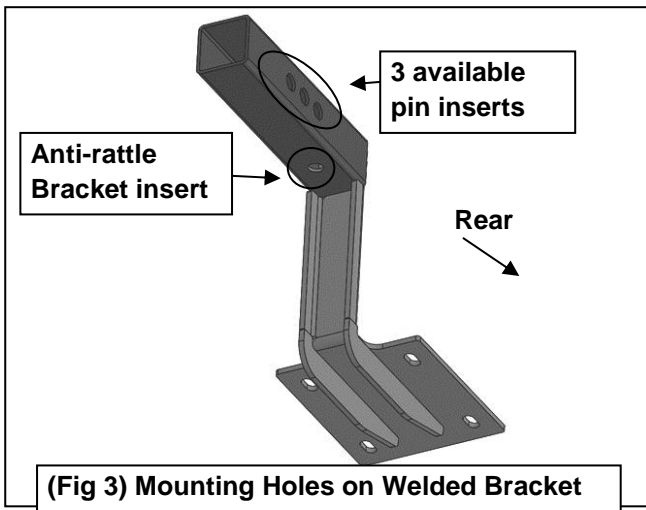
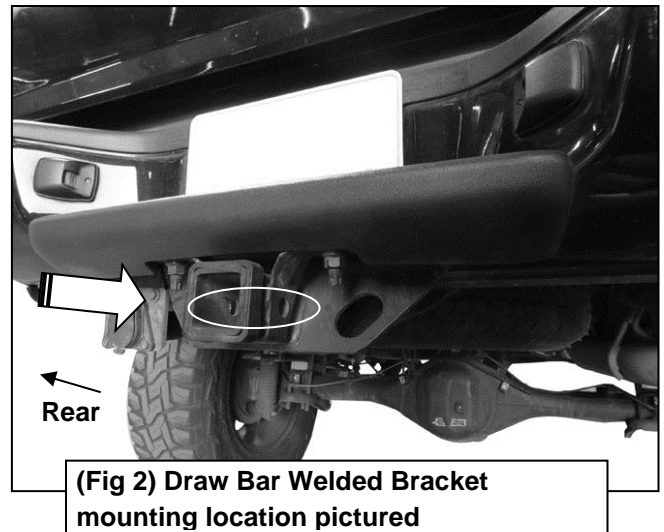
Qty	Part Description	Qty	Part Description
1	Aggressive Hitch Step Board (26")	1	10mm x 30mm x 2mm Flat Washer
1	Draw Bar Welded Bracket, 6" Drop	1	Hitch Pin
2	8mm Double Bolt Plates	1	Hitch Pin Safety Clip
1	Anti-rattle Bracket	4	8-1.25mm Nylon Lock Nuts
1	10-1.5mm Hex Bolt with Plastic Knob	4	8mm x 24mm x 2mm Flat Washers



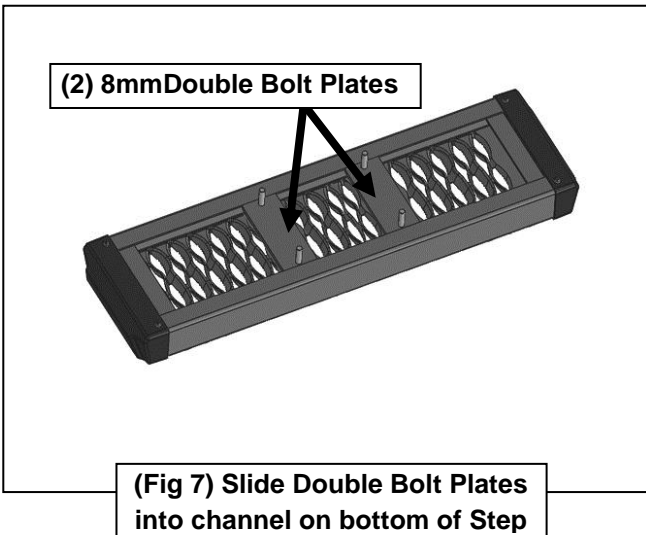
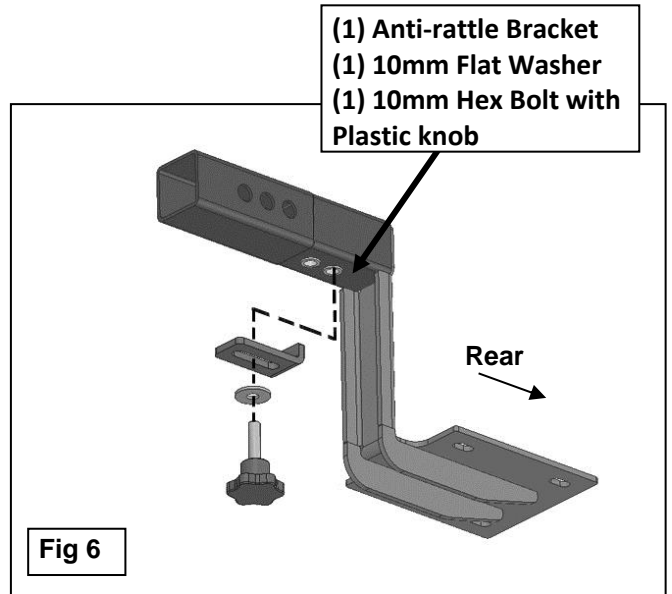
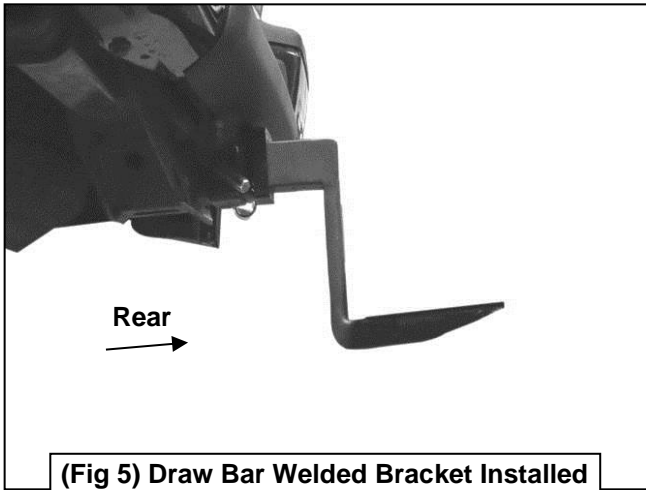
## INSTALLATION PROCEDURE:

1. Locate the tow hitch in the rear side of the vehicle for mounting location, **(Figure 1)**. Next, locate the holes in the hitch receiver tube, **(Figure 2)**. Select (1) Draw Bar Welded Bracket. Insert the Bracket into the hitch receiver tube and align the holes in the receiver tube with the mounting holes on the Bracket, **(Figures 2 & 3)**. **NOTE:** 3 mounting holes are available for pin adjustment.
2. Insert (1) Hitch Pin through the receiver tube and Bar Welded Bracket pin holes. Use (1) Hitch Pin Safety Clip to secure Hitch Pin, **(Figures 4 & 5)**.
3. Locate the (2) holes underneath the Bar Welded Bracket, **(Figure 3)**. Line up the anti-rattle Bracket with the best fit insert hole on the Bar Welded Bracket. Attach the anti-rattle Bracket to the Bar Welded Bracket using (1) 10mm Flat Washer and (1) 10mm Hex Bolt with Plastic Knob, **(Figure 6)**. **NOTE:** The cradle on the anti-rattle Bracket must be closer to the rear side of the vehicle and facing upward. Do not fully tighten hardware at this time.
4. Select the Hitch Step Board and (2) 8mm Double Bolt Plates. Insert the Bolt Plates up and into the channels in the bottom of the Hitch Step, **(Figure 7)**. Raise the Step up and slide the Bolt Plates down through the slots in the Welded Bracket.
5. Attach the Step to the Bracket with (4) 8mm Flat Washers and (4) 8mm Nylon Lock Nuts, **(Figure 8)**. Do not fully tighten hardware at this time.
6. Center and adjust the Hitch Step to the Bar Welded Bracket as necessary and fully tighten all hardware.
7. Do periodic inspections of the installation to make sure that all hardware is secure and tight.

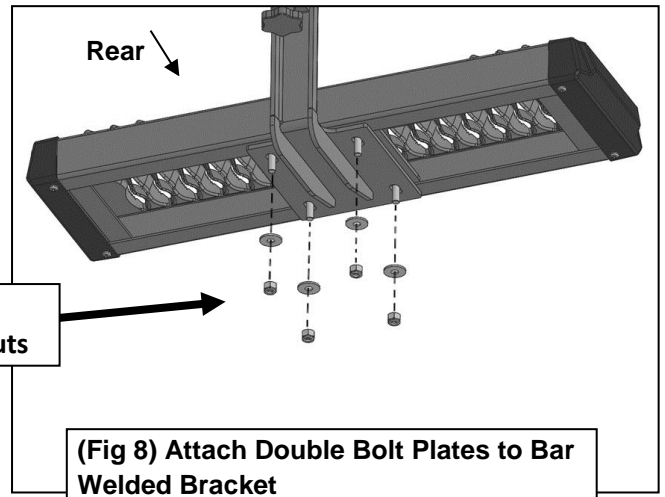
### Rear Step Installation Pictured



## Rear Step Installation Pictured



NOTE: Make sure to center the Bar Welded Bracket to the hitch step.



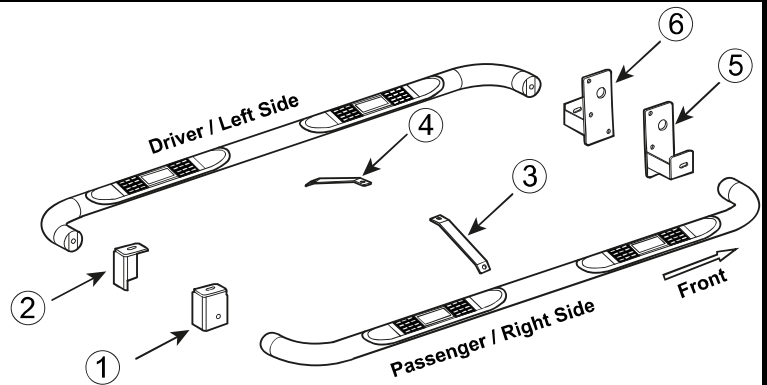
## PARTS IDENTIFICATION GUIDE

**Driver Side tube packed using "Green" color foam sheet. Passenger Side tube packed using "White" color foam sheet**

No.	Parts Identification
1	Passenger / Right 'Rear' Bracket marked "PR"
2	Driver / Left 'Rear' Bracket marked "DR"
3	Passenger / Right 'Center' Bracket marked "PC"
4	Driver / Left 'Center' Bracket marked "DC"
5	Passenger / Right 'Front' Bracket marked "PF"
6	Driver / Left 'Front' Bracket marked "DF"

### Note:

- This guide is to identify the parts and not a reference for part count.
- For part count, refer Parts List.
- Product / Bracket image is representative and actual design may vary.



## PRODUCT CARE

- Periodically check the product to ensure all fasteners are tight and components are intact.
- Regular waxing is recommended to protect the finish of the product.
- **Use ONLY Non-Abrasive automotive wax.** Use of any soap, polish or wax that contains an abrasive is detrimental and can scratch the finish leading to corrosion.
- Aluminum polish may be used to polish small scratches and scuffs for **Stainless Steel finish.**
- Mild soap may be used to clean the product for both **Stainless Steel and Black finish.**

## FAQ's

### 1. Hardware's are not of correct size.

*In GMC / Chevrolet truck model 2006 & up, customer needs to reuse the factory body bolts to install the bracket. If your vehicle is not GMC / Chevrolet 2006 & up, ensure that holes are not partially covered with any plastic grommet or rust? If it is, remove the plastic grommet & rust from the thread holes & re-try the installation.*

### 2. Mounting Bracket are not getting Installed properly.

*In some cases Illustration images shown in Installation manual may not be the exactly same as per actual vehicle images ,also if Driver / Passenger side mounting brackets are very identical in the design, suggest referring Parts Identification guide to avoid fitment issue.*

### 3. Products are thumping / rattling after installation.

*Ensure that all required mounting brackets / hardware's are installed & tighten correctly. Suggest using white lithium / regular grease between the metal to metal contact surfaces.*

### 4. Side Bar is not aligning with vehicle / Step Pads are not aligning with vehicle doors.

*Side bar may be interchanged or mounting brackets are not installed at the correct position in the vehicle. Refer Parts identification guide.*

### 5. Missing / Excess Hardware.

*Recheck hardware count as per the part list.*

### 6. Product not installing properly.

*Ensure make model year, cab length and bed size of your vehicle is listed in the application. All installation steps are followed correctly.*

## Check out these other TrailFX Products!!



**BULL BAR**



**GRILLE GUARDS**



**BED RAILS**



**RUNNING BOARDS**

Keystone Automotive Operations Inc. (KAO) warrants this product to be free of defects in material and workmanship at the time of purchase by the original retail consumer. KAO disclaims any other warranties, express or implied, including the warranty of fitness for a particular purpose or an intended use. If the product is found to be defective, KAO may replace or repair the product at our option, when the product is returned prepaid, with proof of purchase. Alteration to, improper installation, or misuse of this product voids the warranty. KAO's liability is limited to repair or replacement of products found to be defective, and specifically excludes liability for any incidental or consequential loss or damage.