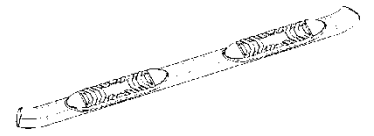




5" WTW Oval Straight Sidebar

Part No. A7095S /B



**Fits: 2019 DODGE RAM 1500 QUAD CAB 6.5FT BED
(EXCL. 2019 RAM 1500 CLASSIC)**



60-180 min

Cutting Not Required

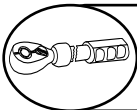
Drilling Not Required



REMOVE CONTENTS FROM BOX. VERIFY ALL PARTS ARE PRESENT.



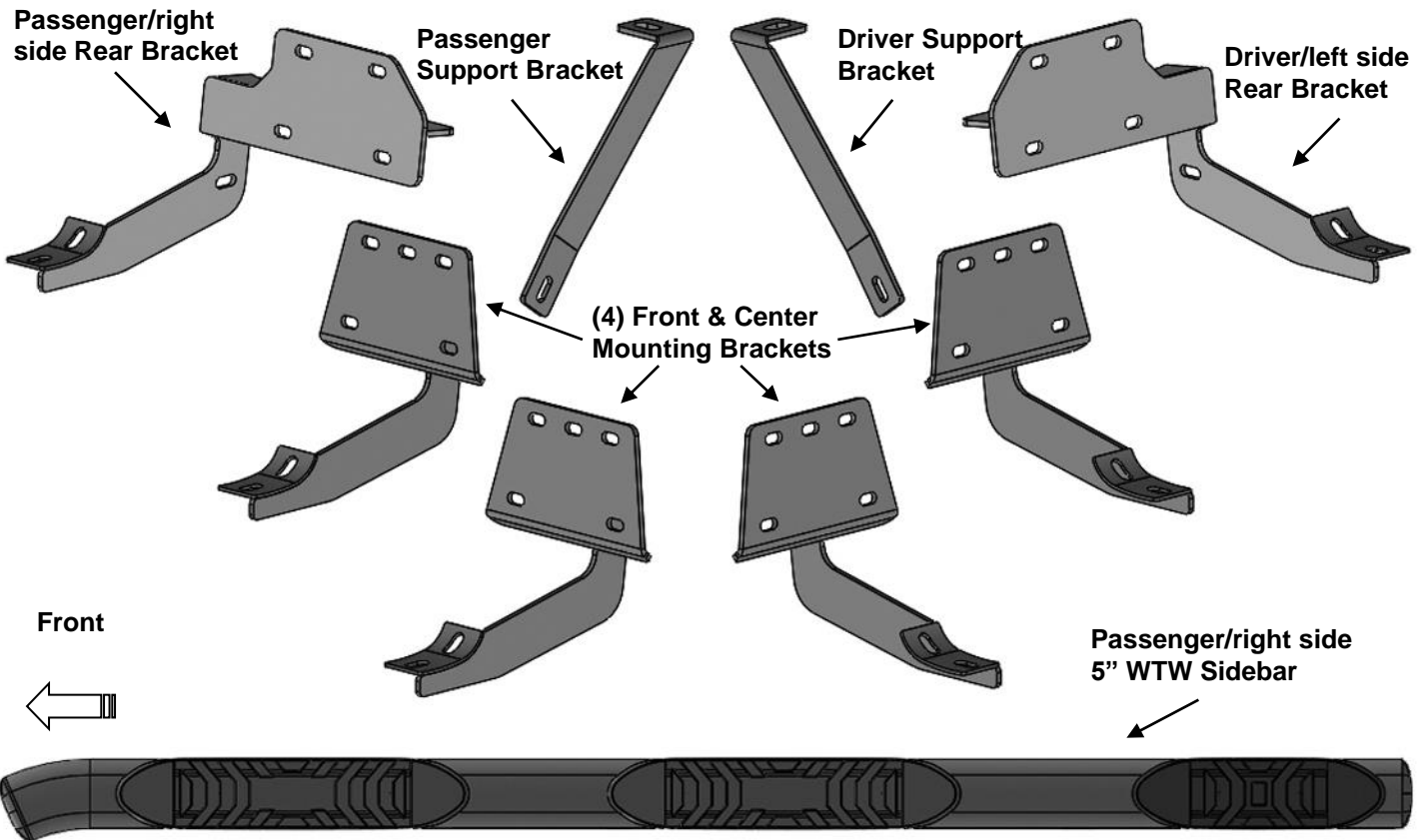
READ INSTRUCTIONS CAREFULLY BEFORE STARTING INSTALLATION.



DO NOT OVER TORQUE. STANDARD OPERATING LOAD FOR TIGHTEN BODY MOUNT NUTS & BOLTS VARIES FROM 45 TO 65 FOOT POUND.

PARTS LIST:

Qty	Part Description	Qty	Part Description
1	Driver/left Side 5in WTW Sidebar	1	Passenger/right Side Rear Support Bracket
1	Passenger/right Side 5in WTW Sidebar	2	8-1.25mm x 30mm Hex Bolts
4	Front & Center Brackets (use left or right)	12	8mm x 25mm Combo Bolts
1	Driver/left Side Rear Bracket	22	8mm x 24mm x 2mm Flat Washers
1	Passenger/right Side Rear Bracket	20	8mm Nylon Lock Nuts
1	Driver/left Side Rear Support Bracket		



PROCEDURE:

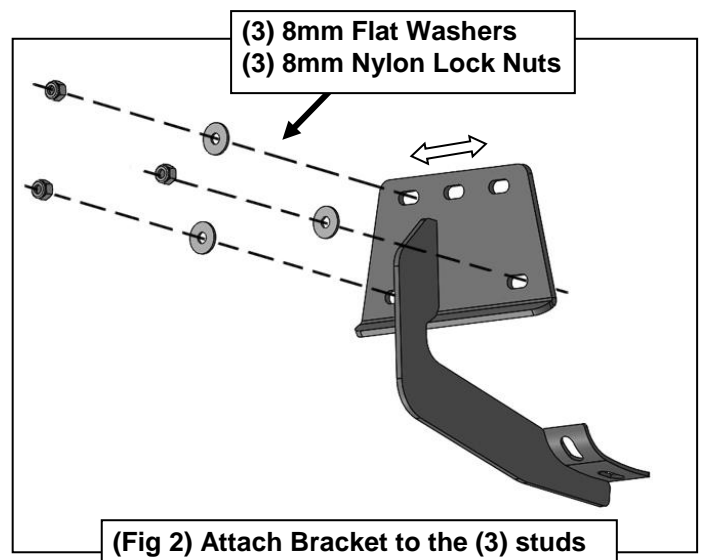
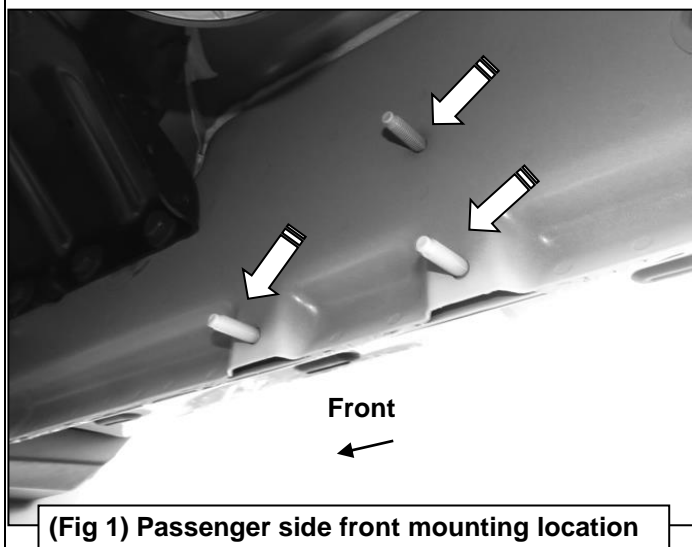
REMOVE CONTENTS FROM BOX. VERIFY ALL PARTS ARE PRESENT. READ INSTRUCTIONS CAREFULLY BEFORE STARTING INSTALLATION. ASSISTANCE IS RECOMMENDED.

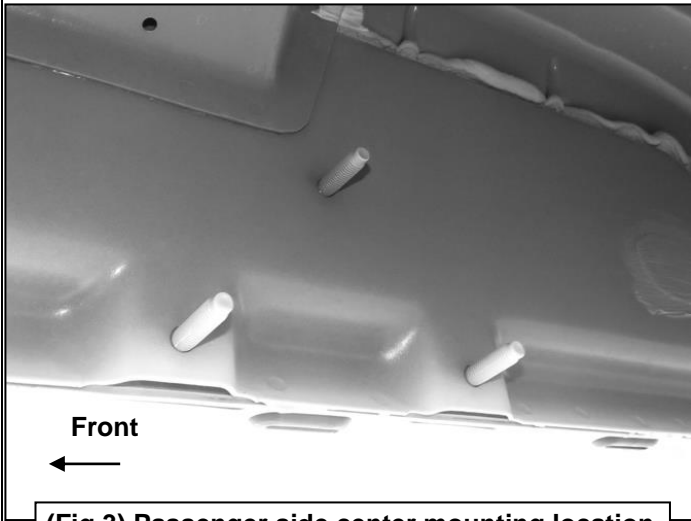
Start the installation under the passenger side of the vehicle. Locate the front (3) factory studs along the inner side of the body panel, **(Figure 1)**. **NOTE:** Use a wire brush or die to remove paint buildup on the threaded studs.

1. Select (1) Front & Center Bracket. **NOTE:** There are (4) Front & Center Brackets that will fit left or right side. Attach the Mounting Bracket to the (3) factory studs with (3) 8mm Flat Washers and (3) 8mm Nylon Lock Nuts, **(Figure 2)**. Leave brackets loose at this time.
2. Move to the center mounting location, **(Figure 3)**. Repeat **Steps 1 & 2** to install (1) Front/Center Bracket in the center mounting location.
3. Move to the rear mounting location, **(Figure 4)**. Select the Passenger/right side Rear Bracket. **NOTE:** Each Rear Bracket is unique. When installed properly, the Rear Bracket flanges will face towards the rear. See illustration above to help identify the correct Bracket.
4. Repeat **Steps 1 & 2** to install the Passenger/right side Rear Bracket in the rear mounting location, **(Figure 5)**.
5. Next, select the Passenger/right side Support Bracket. Use the illustration above and **Figure 6** to help determine the correct Support Bracket for each side.
6. Temporarily, remove the rear body bolt from the body mount, **(Figure 4)**. Reuse the factory body bolt to attach the top end of the Support Bracket to the body mount, **(Figure 7)**.
7. Next, attach the bottom end of the Support Bracket to the front side of the Rear Bracket with (1) 8mm x 30mm Hex Bolt, (2) 8mm Flat Washers and (1) 8mm Nylon Lock Nut, **(Figures 8 & 9)**. Do not tighten hardware at this time.
8. Carefully unwrap and select the Passenger/right Sidebar. Use the illustration above to help identify the correct Sidebar. Place the Sidebar on top of the Brackets. **IMPORTANT:** Do not slide, (front to back or rotate), the Sidebar on the Brackets or damage to the finish on the Sidebar may result.
9. Attach the Sidebar to the Brackets with (6) 8mm Combo Hex Bolts, **(Figures 10—13)**. Do not tighten hardware at this time.
10. Level the Sidebar to the vehicle and tighten all hardware at this time.
11. Repeat **Steps 1—11** for Driver/left Sidebar installation.
12. Do periodic inspections to the installation to make sure that all hardware is secure and tight.

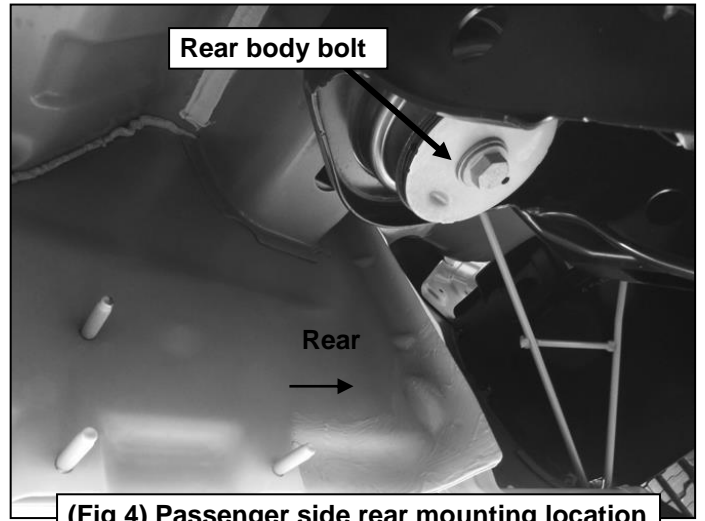
To protect your investment, wax this product after installing. Regular waxing is recommended to add a protective layer over the finish. Do not use any type of polish or wax that may contain abrasives that could damage the finish. Mild soap may be used also to clean the Sidebar.

Passenger/right Side Installation Pictured



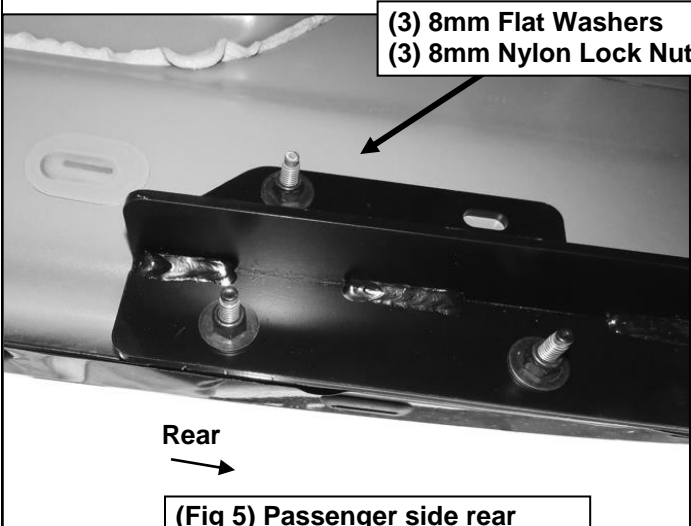


(Fig 3) Passenger side center mounting location



(Fig 4) Passenger side rear mounting location

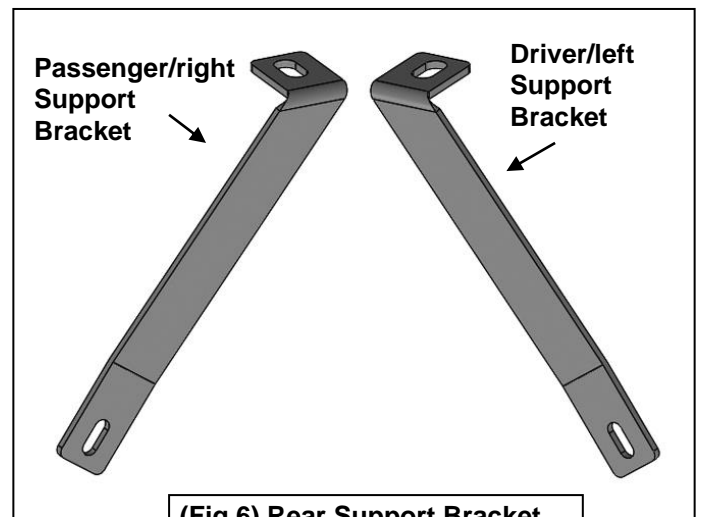
Passenger/right Side Installation Pictured



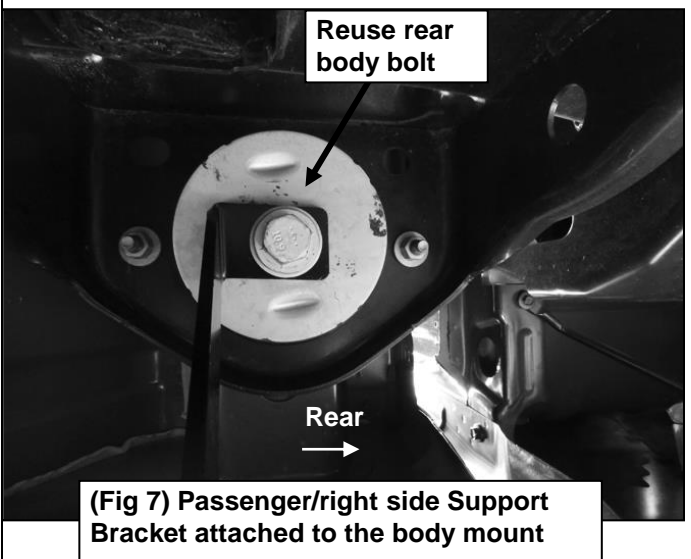
(3) 8mm Flat Washers
(3) 8mm Nylon Lock Nuts

(Fig 5) Passenger side rear Bracket attached to side panel

NOTE: Each Rear Bracket is unique. When installed properly, the flanges on the Bracket will face towards the rear.

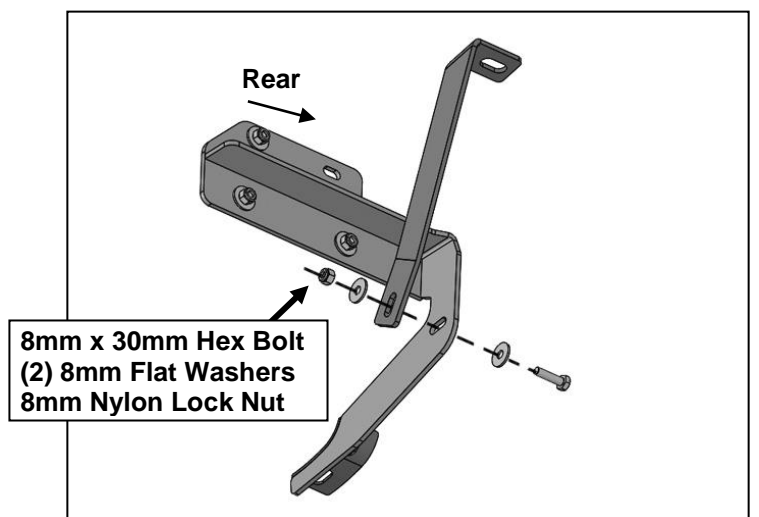


(Fig 6) Rear Support Bracket



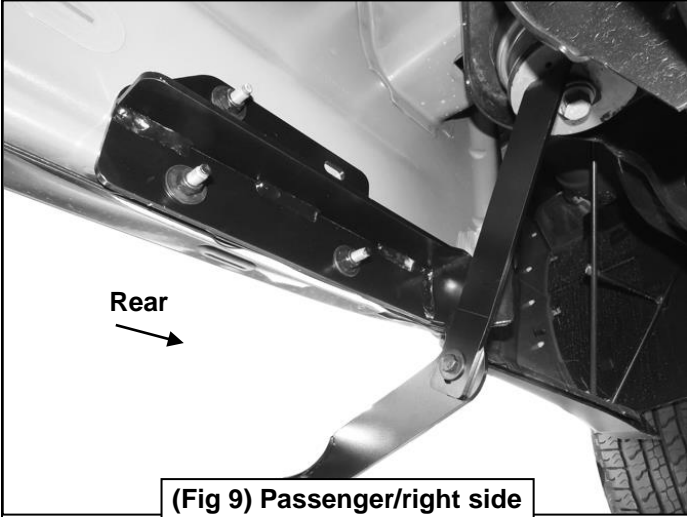
Reuse rear body bolt

(Fig 7) Passenger/right side Support Bracket attached to the body mount



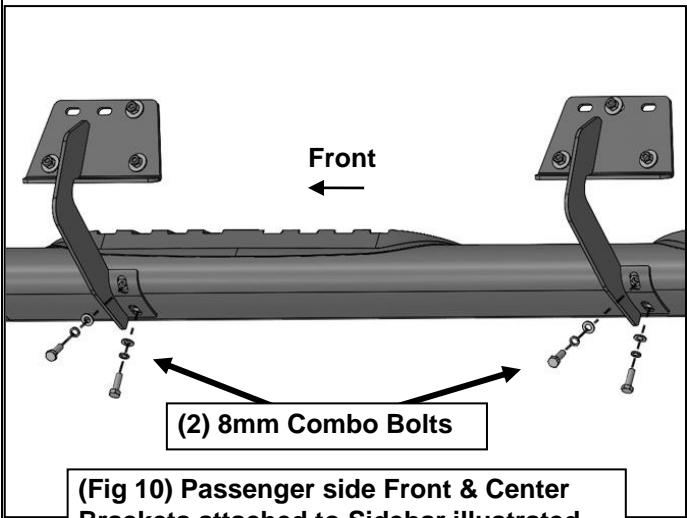
8mm x 30mm Hex Bolt
(2) 8mm Flat Washers
8mm Nylon Lock Nut

(Fig 8) Passenger side Support Bracket attached to the front of the Rear Bracket

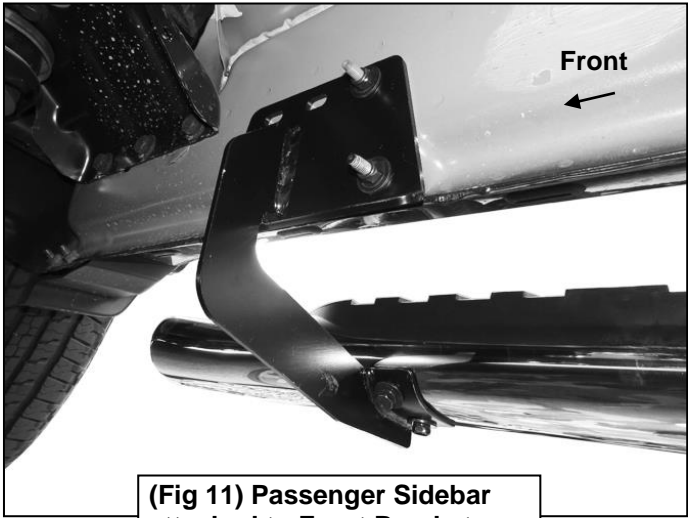


(Fig 9) Passenger/right side Support Bracket installed

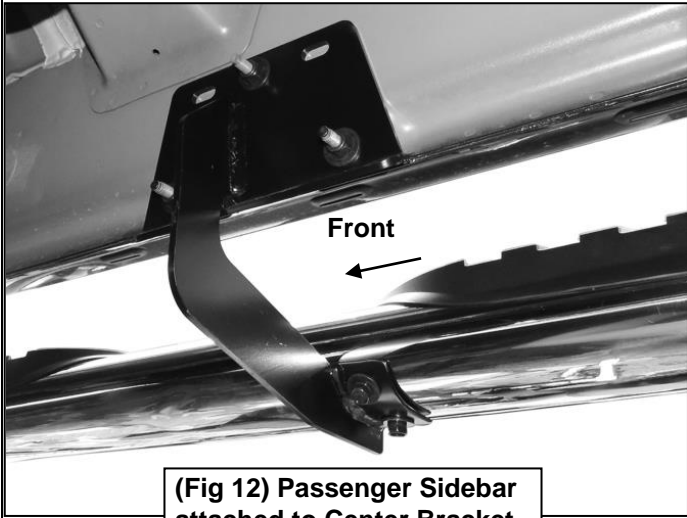
Passenger/right Side Installation Pictured



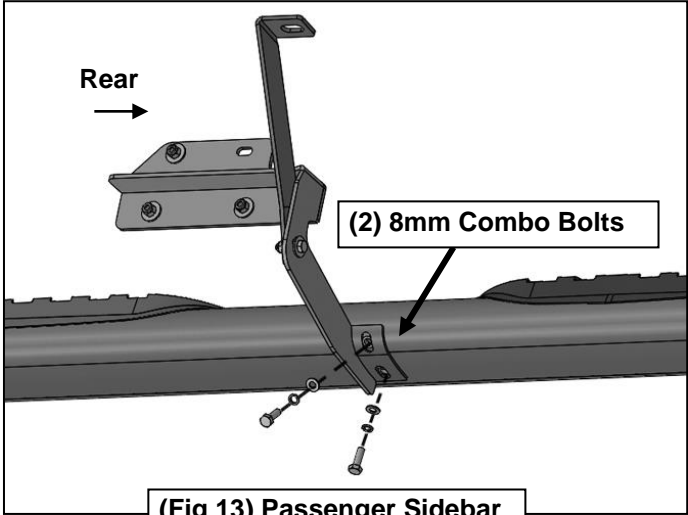
(Fig 10) Passenger side Front & Center Brackets attached to Sidebar illustrated



(Fig 11) Passenger Sidebar attached to Front Bracket



(Fig 12) Passenger Sidebar attached to Center Bracket

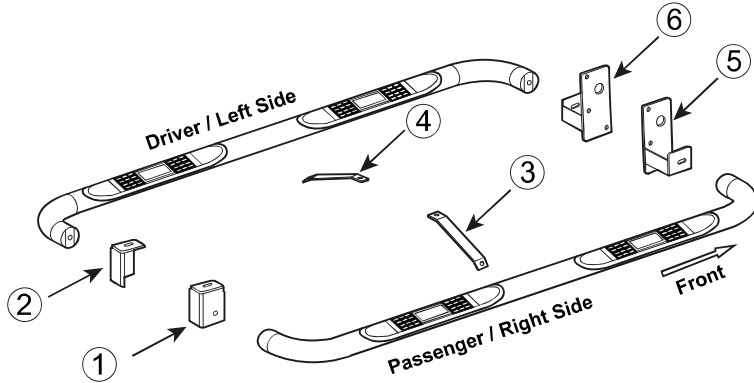


(Fig 13) Passenger Sidebar
attached to Rear Bracket

No.	Parts Identification
1	Passenger / Right 'Rear' Bracket marked "PR"
2	Driver / Left 'Rear' Bracket marked "DR"
3	Passenger / Right 'Center' Bracket marked "PC"
4	Driver / Left 'Center' Bracket marked "DC"
5	Passenger / Right 'Front' Bracket marked "PF"
6	Driver / Left 'Front' Bracket marked "DF"

Note:

- This guide is to identify the parts and not a reference for part count.
- For part count, refer Parts List.
- Product / Bracket image is representative and actual design may vary.



PRODUCT CARE

- Periodically check the product to ensure all fasteners are tight and components are intact.
- Regular waxing is recommended to protect the finish of the product.
- **Use ONLY Non-Abrasive automotive wax.** Use of any soap, polish or wax that contains an abrasive is detrimental and can scratch the finish leading to corrosion.
- Aluminum polish may be used to polish small scratches and scuffs for **Stainless Steel finish.**
- Mild soap may be used to clean the product for both **Stainless Steel and Black finish.**

FAQ's

1. Hardware's are not of correct size.

In GMC / Chevrolet truck model 2006 & up, customer needs to reuse the factory body bolts to install the bracket. If your vehicle is not GMC / Chevrolet 2006 & up, ensure that holes are not partially covered with any plastic grommet or rust? If it is, remove the plastic grommet & rust from the thread holes & re-try the installation.

2. Mounting Bracket are not getting Installed properly.

In some cases Illustration images shown in Installation manual may not be the exactly same as per actual vehicle images ,also if Driver / Passenger side mounting brackets are very identical in the design, suggest referring Parts Identification guide to avoid fitment issue.

3. Products are thumping / rattling after installation.

Ensure that all required mounting brackets / hardware's are installed & tighten correctly. Suggest using white lithium / regular grease between the metal to metal contact surfaces.

4. Side Bar is not aligning with vehicle / Step Pads are not aligning with vehicle doors.

Side bar may be interchanged or mounting brackets are not installed at the correct position in the vehicle. Refer Parts identification guide.

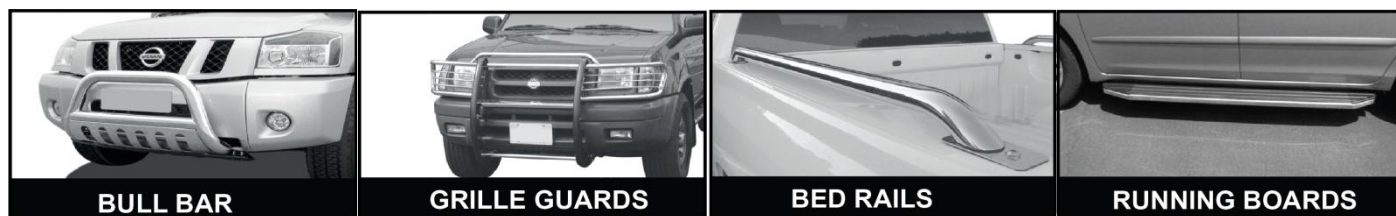
5. Missing / Excess Hardware.

Recheck hardware count as per the part list.

6. Product not installing properly.

Ensure make model year, cab length and bed size of your vehicle is listed in the application. All installation steps are followed correctly.

Check out these other TrailFX Products!!



Keystone Automotive Operations Inc. (KAO) warrants this product to be free of defects in material and workmanship at the time of purchase by the original retail consumer. KAO disclaims any other warranties, express or implied, including the warranty of fitness for a particular purpose or an intended use. If the product is found to be defective, KAO may replace or repair the product at our option, when the product is returned prepaid, with proof of purchase. Alteration to, improper installation, or misuse of this product voids the warranty. KAO's liability is limited to repair or replacement of products found to be defective, and specifically excludes liability for any incidental or consequential loss or damage.