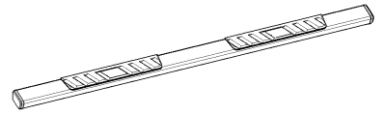




4" Side Bar

Part No. A4014S



Fits: 2002 - 2008
2003 - 2009

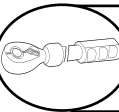
Dodge Ram 1500 Quad Cab
Dodge Ram 2500/3500 Quad Cab



REMOVE CONTENTS FROM BOX. VERIFY ALL PARTS ARE PRESENT.



READ INSTRUCTIONS CAREFULLY BEFORE STARTING INSTALLATION.



DO NOT OVER TORQUE. STANDARD OPERATING LOAD FOR TIGHTEN BODY MOUNT NUTS & BOLTS VARIES FROM 45 TO 65 FOOT POUND.



60-180 min



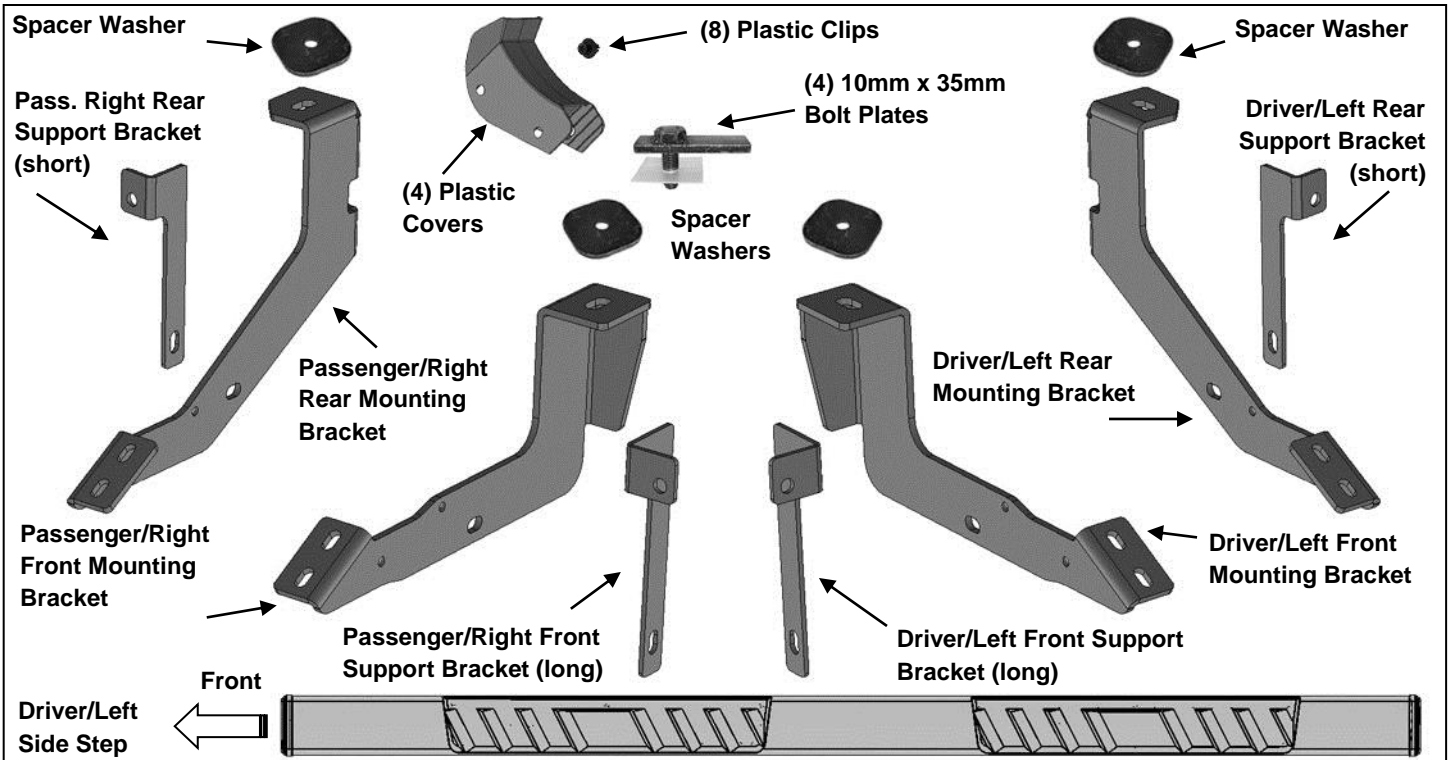
Cutting Not Required



Drilling Not Required

PARTS LIST

Qty	Part Description	Qty	Part Description
1	Driver/Left Side Step	8	Plastic Clip
1	Passenger/Right Side Step	4	14mm Square Spacer
1	Driver/Left Front Mounting Bracket	4	10mm Plastic Retainers
1	Passenger/Right Front Mounting Bracket	4	10mm x 35mm Bolt Plates
1	Driver/Left Rear Mounting Bracket	4	12-1.75mm x 120mm Gr.10.9 Hex Bolts
1	Passenger/Right Rear Mounting Bracket	4	12mm x 32mm OD x 3mm Flat Washers
1	Driver/Left Front Support Bracket (long)	4	12mm Lock Washers
1	PS/Right Front Support Bracket (long)	4	10-1.5mm x 30mm Hex Bolts
1	Driver/Left Rear Support Bracket (short)	12	10mm x 30mm OD x 2.5mm Flat Washers
1	PS/Right Rear Support Bracket (short)	8	10mm Lock Washers
4	Plastic Cover	8	10mm Hex Nuts
		8	8-1.25mm x 25mm Combo Hex Bolts



INSTALLATION PROCEDURE

1. Starting toward the front of the passenger side, remove the factory front body mount bolt with washer, **(Figure 1)**. Remove but do not discard the rubber bushing from the factory bolt.
2. Select the passenger side front Mounting Bracket, **(Figure 9)**. Insert (1) 12mm x 120mm Hex Bolt with (1) 12mm Flat Washer and (1) 12mm Lock Washer through the Mounting Bracket. Place (1) Large Spacer Washer, **(Figure 2 & 3)**, onto the Bolt then slides the rubber bushing onto the Hex Bolt against the Washer. Make sure that the Spacer Washer is between the Bracket and the factory rubber bushing, **(Figure 4)**.
3. Hold the Bracket and hardware up in place and attach to the factory body mount, **(Figure 4)**. Snug but do not tighten hardware at this time.

IMPORTANT: On 2005 and newer model years, the large washer on the factory body mount bolt may be removable, (do not discard-must reinstall), and the bolt is long enough to go through the Mounting Bracket and properly thread into the body mount. It is the installer's responsibility to check length and to determine whether to reuse the factory body bolt or the included replacement 12mm x 120mm Hex Bolt.

4. Remove the tape covering the factory hole in the back side of the lower body panel near the Mounting Bracket, **(Figure 4)**. Thread (1) Plastic Retainer part way onto (1) 10mm x 35mm Bolt Plate, **(Figure 5)**. Insert the Bolt Plate into the factory hole on the body panel, **(Figure 6)**. Hold the Bolt Plate in place with one hand and continue to thread the Plastic Retainer down against the sheet metal to hold the Bolt Plate in place, **(Figure 7)**.

IMPORTANT: The Plastic Retainer is designed to prevent the Bolt Plate from falling into the body panel and to aid in Bracket installation.

5. Select the passenger side front Support Bracket (long), **(Figure 8)**. Attach the Bracket to the Bolt Plate with (1) 10mm Flat Washer, (1) 10mm Lock Washer and (1) 10mm Hex Nut, **(Figure 9)**.

NOTE: Place the lower flat end of the Support Bracket against the front facing side of the Mounting Bracket. The bent tab on the top of the Support Bracket should face the **front** of the vehicle. Do not tighten hardware.

6. Attach the flat lower end of the front Support Bracket to the front of the Mounting Bracket with (1) 10mm x 30mm Hex Bolt, (2) 10mm Flat Washers, (1) 10mm Lock Washer and (1) 10mm Hex Nut, **(Figure 9 & 11)**. Do not tighten hardware at this time.
7. Select (1) Plastic Bracket Cover and (2) Retaining Clips, **(Figure 10)**. Slide the Cover over the front Bracket. Line up the mounting holes in the Cover with the holes in the Bracket. Insert (1) Clip into each hole and push center pin to expand Clip. Repeat this Step for all Cover installations.
8. Move to the rear body mount at the back of the cab. Select the passenger side rear Mounting Bracket. Repeat **Steps 2—4** for rear Mounting Bracket installation, **(Figures 12 & 14)**.
9. Remove the tape covering the hole in the inner rocker panel and install (1) Bolt Plate as described in **Step 5, (Figure 13)**. Select the passenger side rear Support Bracket, (short), **(Figure 8)**. Attach the bent end of the top of the Bracket to the Bolt Plate with (1) 10mm Flat Washer, (1) 10mm Lock Washer and (1) 10mm Hex Nut, **(Figures 13 & 14)**.

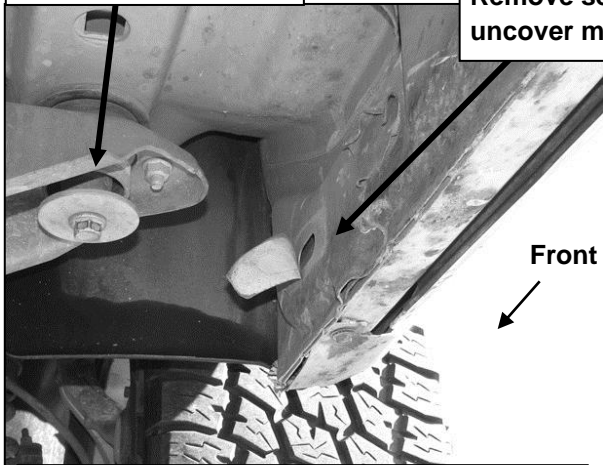
NOTE: Place Support Bracket against the front facing side of the Mounting Bracket. The bent tab on the top of the rear Support Bracket should face the **rear** of the vehicle.

10. Repeat **Step 7** to attach the flat lower end of the Support Bracket to the front of the rear Mounting Bracket, **(Figure 14)**. Snug but do not tighten hardware at this time.
11. Repeat **Step 8** to install the Plastic Cover over the Bracket, **(Figure 10)**.
12. Select the passenger/right Side Step. Carefully position the Side Step onto the (3) Brackets.
IMPORTANT: Do not slide, (front to back or rotate), the Side Step on the Brackets or damage to the finish may result. Attach the Side Step to the Brackets with (6) 8mm x 25mm Combo Hex Bolt assemblies, **(Figure 15)**. Do not tighten hardware.
13. Level and adjust the Side Step and tighten all hardware.
14. Repeat **Steps 2—14** for the driver/left Side Step installation.
15. Do periodic inspections to the installation to make sure that all hardware is secure and tight.

Passenger Side Installation Pictured

Remove body mount bolt and washer

Remove sealing tape to uncover mounting hole



(Fig 1) Passenger side front body mounts



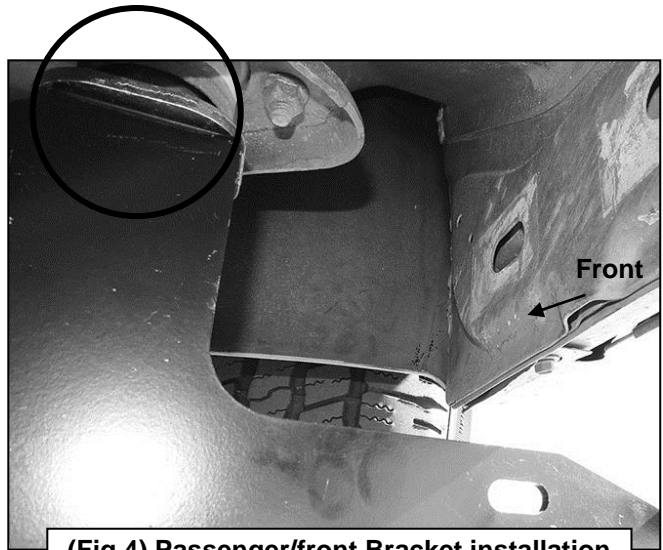
(Fig 2) Spacer Washer

Passenger Side Installation Pictured

IMPORTANT: Insert (1) Spacer Washer between each front and rear Mounting Bracket and factory rubber bushing (passenger side front Mounting Bracket pictured)



(Fig 3) Passenger/rear Bracket for example only



(Fig 4) Passenger/front Bracket installation



(Fig 5) Bolt Plate w/Retainer



Fig 7

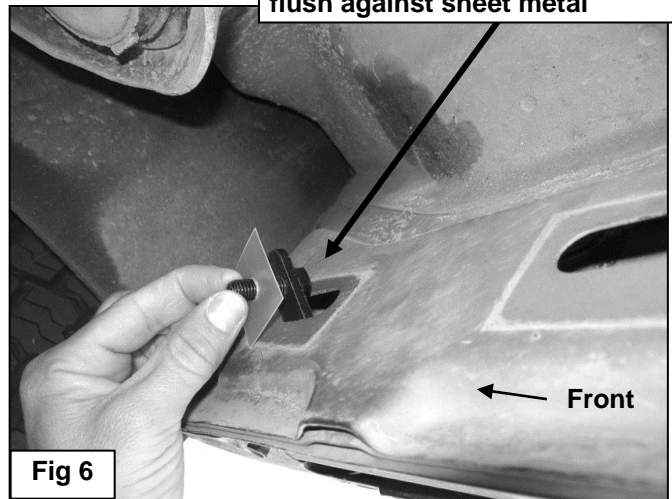


Fig 6

Insert Bolt Plate into oval hole.
Thread Plastic Retainer down
flush against sheet metal

Passenger Side Installation Pictured

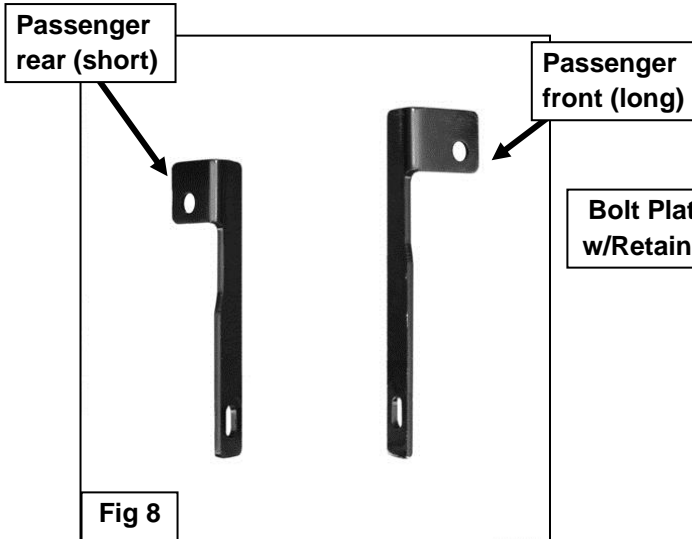


Fig 8

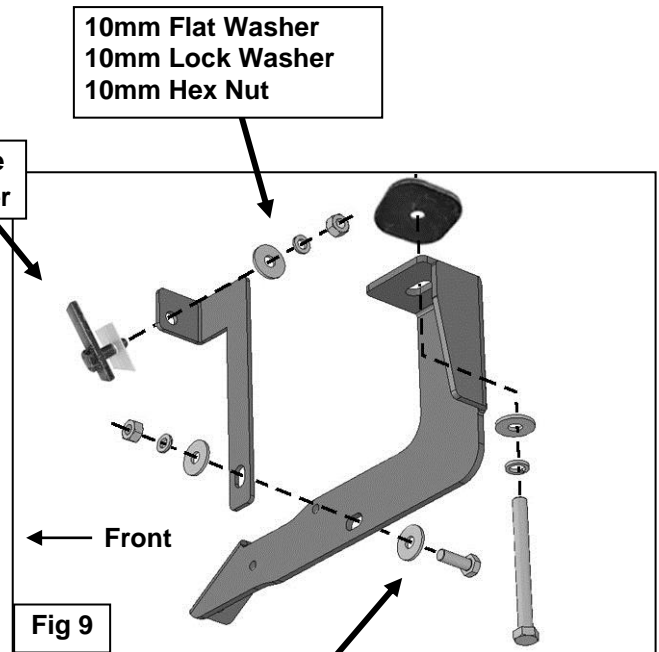
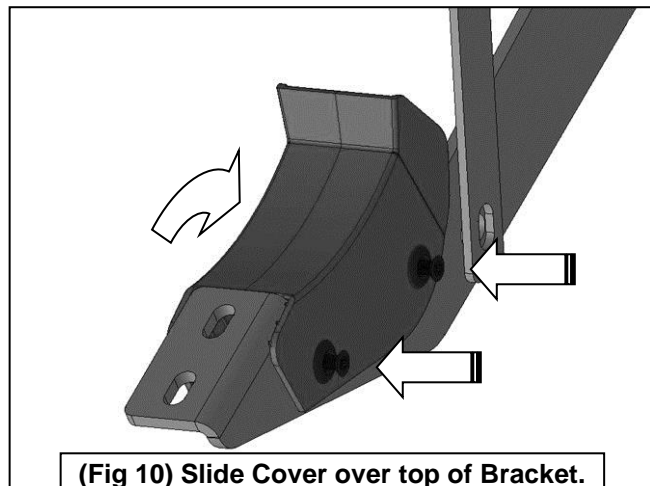


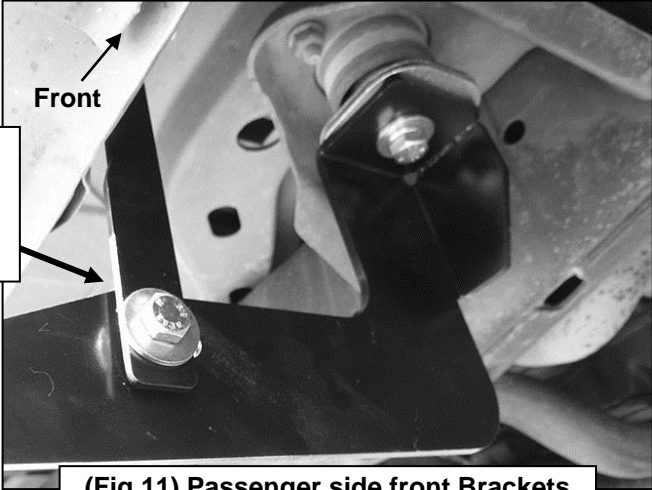
Fig 9

10mm Flat Washer
10mm Lock Washer
10mm Hex Nut

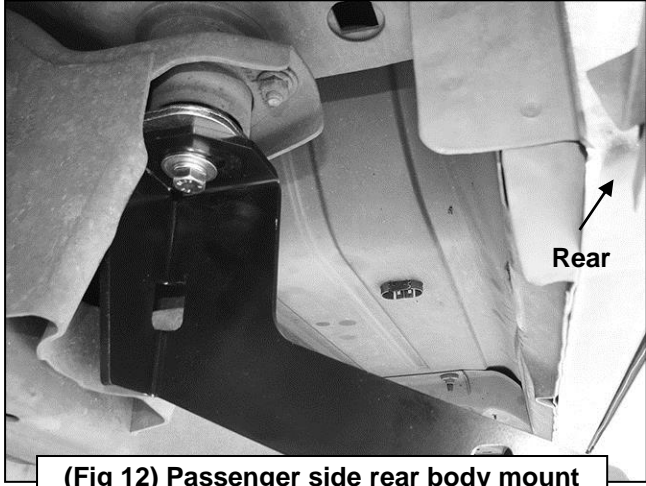


(Fig 10) Slide Cover over top of Bracket.
Push center pin in clip in to expand clip

10mm x 30mm Hex Bolt
(2) 10mm Flat Washers
10mm Lock Washer
10mm Hex Nut



(Fig 11) Passenger side front Brackets



(Fig 12) Passenger side rear body mount

Passenger Side Installation Pictured

10mm Flat Washer
10mm Lock Washer
10mm Hex Nut

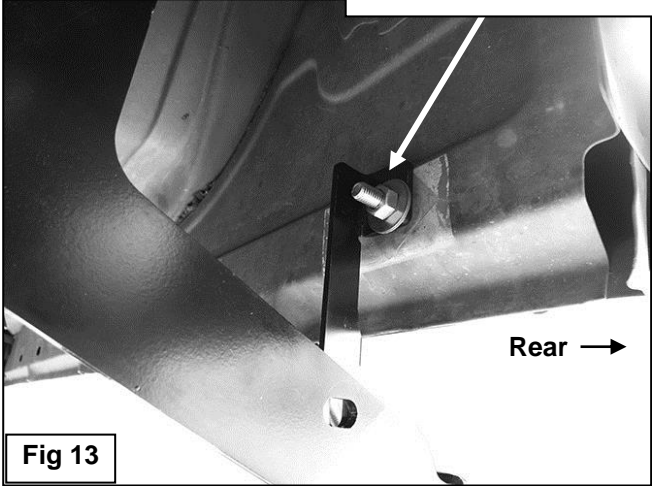


Fig 13

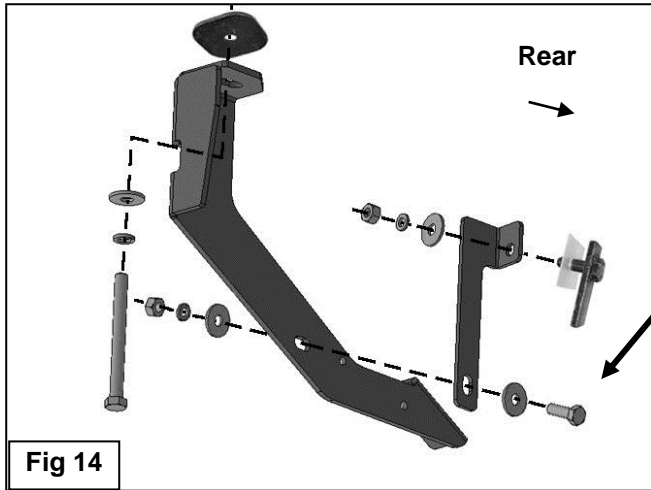


Fig 14

10mm x 30mm Hex Bolt
 (2) 10mm Flat Washers
 10mm Lock Washer
 10mm Hex Nut

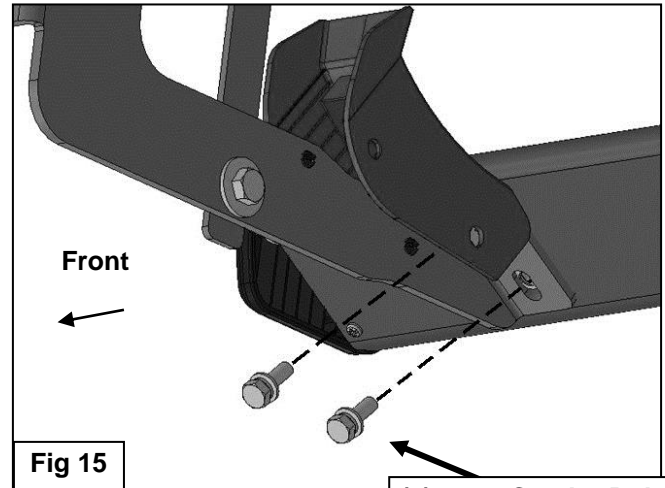
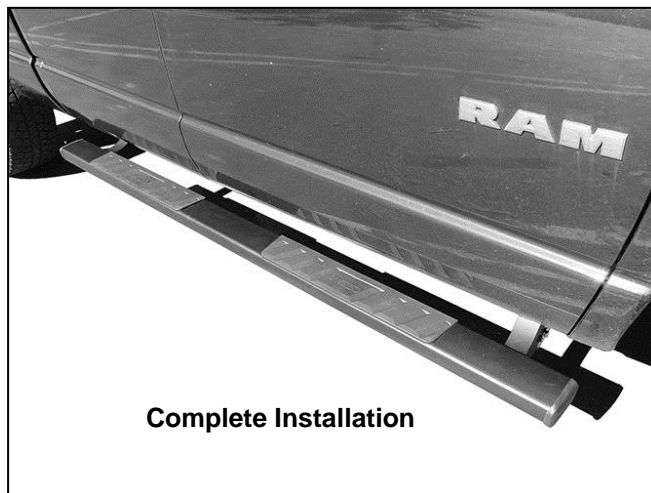


Fig 15

(2) 8mm Combo Bolts



Complete Installation

PARTS IDENTIFICATION GUIDE

Driver Side tube packed using "Green" color foam sheet. Passenger Side tube packed using "White" color foam sheet

No.	Parts Identification
1	Passenger / Right 'Rear' Bracket marked "PR"
2	Driver / Left 'Rear' Bracket marked "DR"
3	Passenger / Right 'Center' Bracket marked "PC"
4	Driver / Left 'Center' Bracket marked "DC"
5	Passenger / Right 'Front' Bracket marked "PF"
6	Driver / Left 'Front' Bracket marked "DF"

Note:

- This guide is to identify the parts and not a reference for part count.
- For part count, refer Parts List.
- Product / Bracket image is representative and actual design may vary.

PRODUCT CARE

- Periodically check the product to ensure all fasteners are tight and components are intact.
- Regular waxing is recommended to protect the finish of the product.
- **Use ONLY Non-Abrasive automotive wax.** Use of any soap, polish or wax that contains an abrasive is detrimental and can scratch the finish leading to corrosion.
- Aluminum polish may be used to polish small scratches and scuffs for **Stainless Steel finish.**
- Mild soap may be used to clean the product for both **Stainless Steel and Black finish.**

FAQ's

- 1. Hardware's are not of correct size.**
In GMC / Chevrolet truck model 2006 & up, customer needs to reuse the factory body bolts to install the bracket. If your vehicle is not GMC / Chevrolet 2006 & up, ensure that holes are not partially covered with any plastic grommet or rust? If it is, remove the plastic grommet & rust from the thread holes & re-try the installation.
- 2. Mounting Bracket are not getting Installed properly.**
In some cases Illustration images shown in Installation manual may not be the exactly same as per actual vehicle images ,also if Driver / Passenger side mounting brackets are very identical in the design, suggest referring Parts Identification guide to avoid fitment issue.
- 3. Products are thumping / rattling after installation.**
Ensure that all required mounting brackets / hardware's are installed & tighten correctly. Suggest using white lithium / regular grease between the metal to metal contact surfaces.
- 4. Side Bar is not aligning with vehicle / Step Pads are not aligning with vehicle doors.**
Side bar may be interchanged or mounting brackets are not installed at the correct position in the vehicle. Refer Parts identification guide.
- 5. Missing / Excess Hardware.**
Recheck hardware count as per the part list.
- 6. Product not installing properly.**
Ensure make model year, cab length and bed size of your vehicle is listed in the application. All installation steps are followed correctly.

Check out these other TrailFX Products!!



Keystone Automotive Operations Inc. (KAO) warrants this product to be free of defects in material and workmanship at the time of purchase by the original retail consumer. KAO disclaims any other warranties, express or implied, including the warranty of fitness for a particular purpose or an intended use. If the product is found to be defective, KAO may replace or repair the product at our option, when the product is returned prepaid, with proof of purchase. Alteration to, improper installation, or misuse of this product voids the warranty. KAO's liability is limited to repair or replacement of products found to be defective, and specifically excludes liability for any incidental or consequential loss or damage.