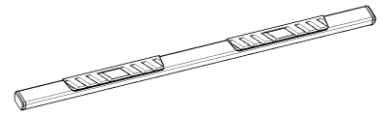




4" Side Bar

Part No. A4010S



Fits: 2015 - Current Chevy Colorado / GMC Canyon Extended Cab



60-180 min

Cutting Not Required

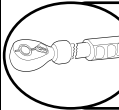
Drilling Not Required



REMOVE CONTENTS FROM BOX. VERIFY ALL PARTS ARE PRESENT.



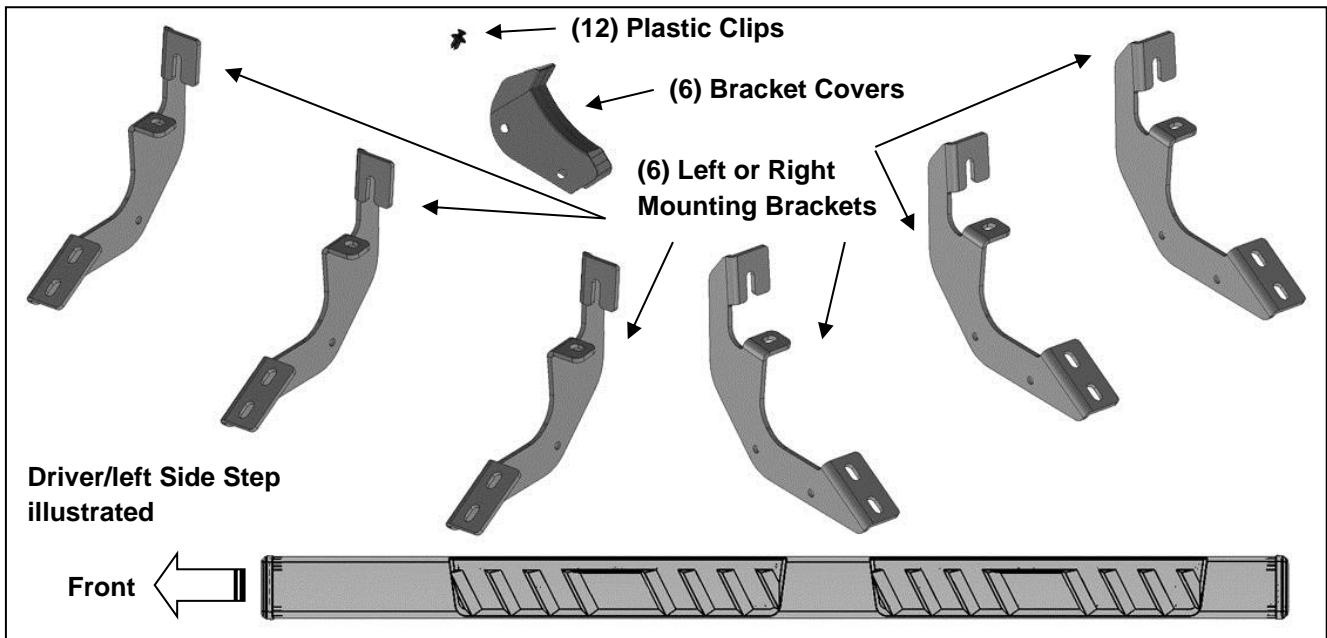
READ INSTRUCTIONS CAREFULLY BEFORE STARTING INSTALLATION.



DO NOT OVER TORQUE. STANDARD OPERATING LOAD FOR TIGHTEN BODY MOUNT NUTS & BOLTS VARIES FROM 45 TO 65 FOOT POUND.

PARTS LIST:

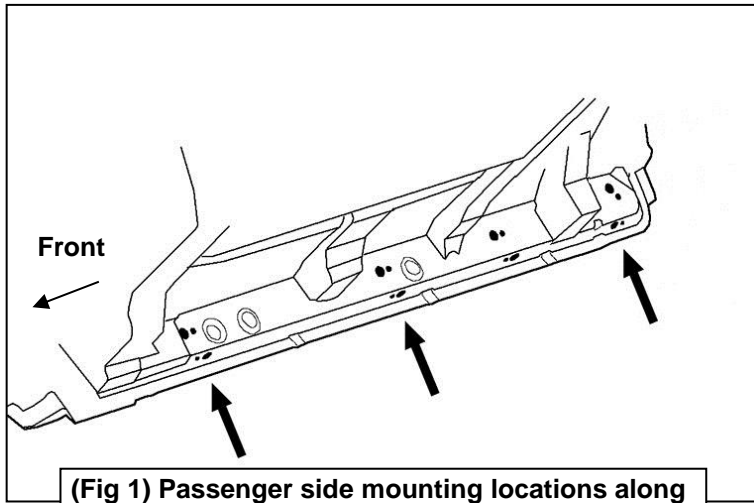
Qty	Part Description	Qty	Part Description
1	Driver/left Side Step	12	Plastic Clips
1	Passenger/right Side Step	12	8-1.25mm x 25mm Hex Bolts
6	Sidebar Brackets (use for left or right)	12	8mm x 24mm x 2mm Flat Washers
12	8-1.25mm Clip-On Nuts	12	8mm Lock Washers
6	Plastic Covers	12	8-1.25mm x 25mm Combo Bolts



INSTALLATION PROCEDURE:

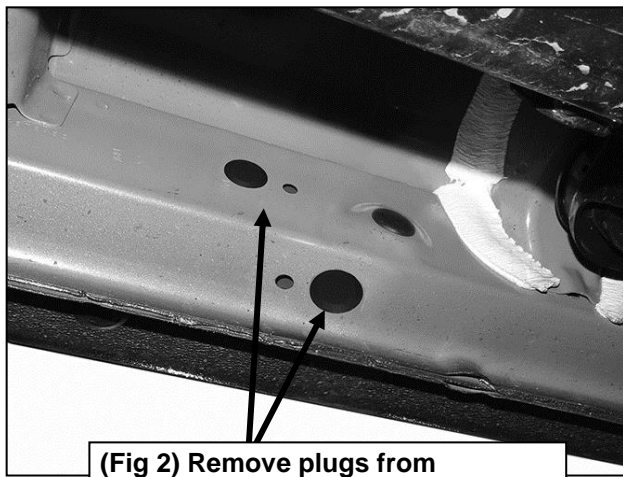
ASSISTANCE IS RECOMMENDED.

1. Start the installation under the passenger side of the vehicle. Locate the 4 factory running board mounting locations along the bottom and inner side of the body, **(Figure 1)**. Mounting Brackets will bolt to the 1st, 2nd and 4th mounting locations. **NOTE:** It may help to hold a Bracket up in place to help determine the mounting holes to use along the bottom and inner side of the body.

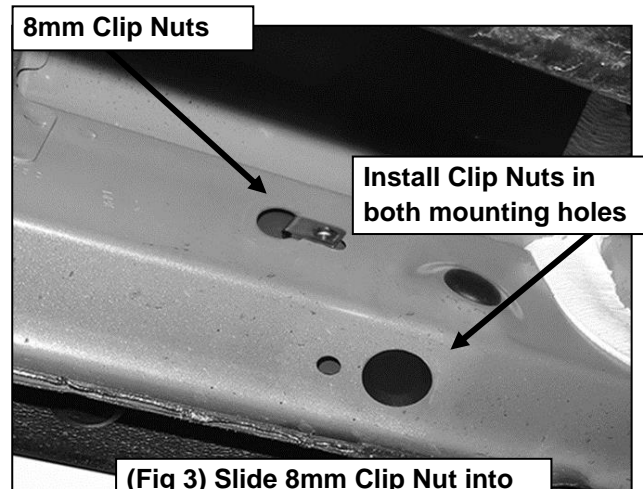


(Fig 1) Passenger side mounting locations along bottom and back of body panel illustrated

2. Remove rubber plugs as necessary from the (2) factory mounting holes, **(Figure 2)**. Select (1) 8mm Clip Nut. Slide the Clip Nut into the large hole and over the smaller hole next to it. Line up threaded nut on the Clip Nut with smaller hole in body panel, **(Figure 3)**. Repeat to install a 2nd Clip Nut in the remaining front mounting hole.

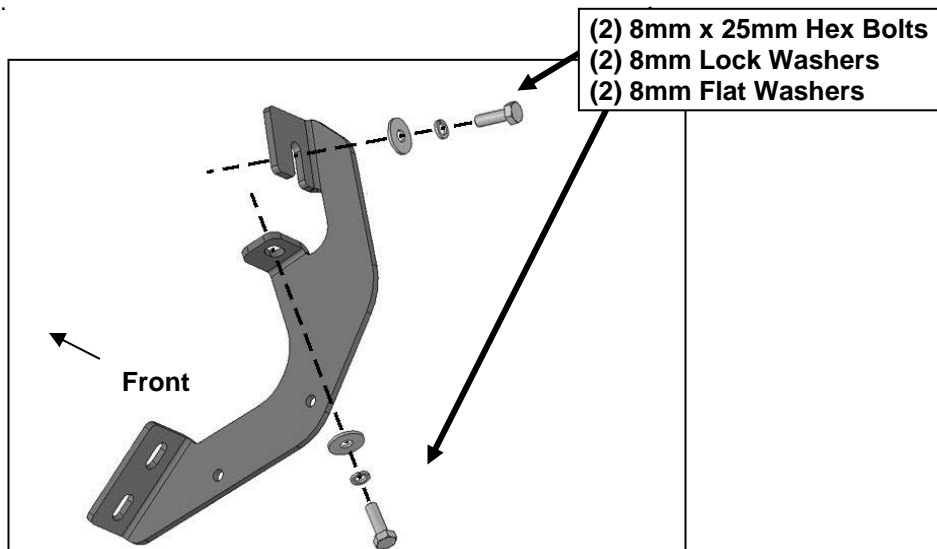


(Fig 2) Remove plugs from mounting locations as necessary



(Fig 3) Slide 8mm Clip Nut into large hole and over small hole

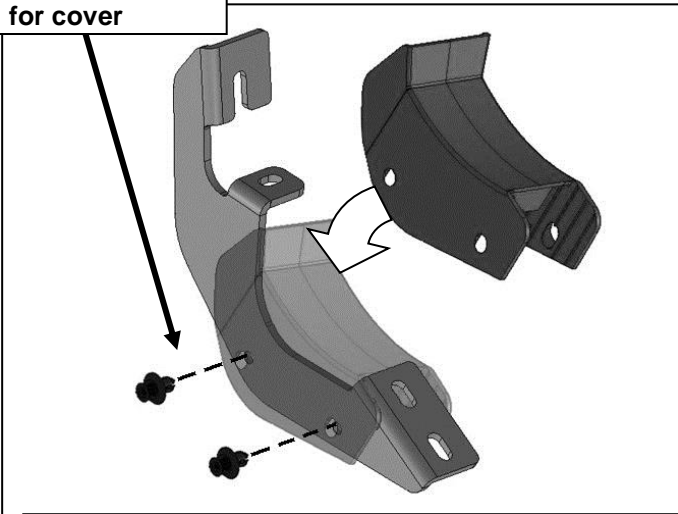
3. Select (1) Mounting Bracket. **NOTE:** All (6) Brackets are universal and will fit left or right side. Attach the Bracket to the (2) Clip Nuts with (2) 8mm Hex Bolts, (2) 8mm Lock Washers and (2) 8mm Flat Washers, **(Figure 4)**. Snug but do not fully tighten the hardware.



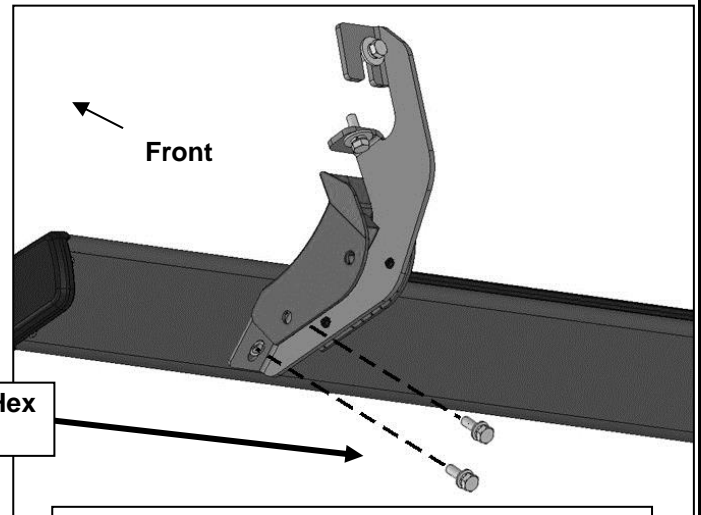
(Fig 4) Passenger side installation pictured

4. Select (1) Plastic Bracket Cover and (2) Retaining Clips, (**Figure 5**). Slide the Cover over the front Bracket. Line up the mounting holes in the Cover with the holes in the Bracket. Insert (1) Clip into each hole and push center pin to expand Clip, (**Figure 5**). Repeat this Step for all Cover installations.
5. Repeat **Steps 2—4** for Center and rear Mounting Bracket installation.
6. Select the passenger/right Side Step. Carefully position the Side Step onto the (3) Brackets. **IMPORTANT:** Do not slide, (front to back or rotate), the Side Step on the Brackets or damage to the finish may result. Attach the Side Step to the Brackets with (6) 8mm x 25mm Combo Hex Bolt assemblies, (**Figure 6**). Do not tighten hardware.
7. Level and adjust the Side Step and tighten all hardware.
8. Repeat **Steps 1—7** to install the driver/left Side Step, (**Figure 7**).
9. Do periodic inspections to the installation to make sure that all hardware is secure and tight.

(2) Plastic Clips
for cover



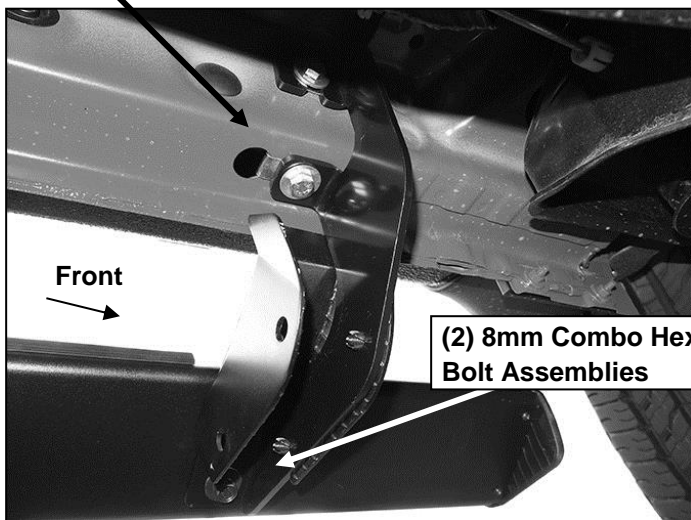
(Fig 5) Passenger front Bracket cover installation



(Fig 6) Passenger front Side Step installation

(2) 8mm x 25mm Hex Bolts
(2) 8mm Lock Washers
(2) 8mm Flat Washers

(2) 8mm Combo Hex
Bolt Assemblies



(2) 8mm Combo Hex
Bolt Assemblies

(Fig 7) Driver/left front Side Step installation

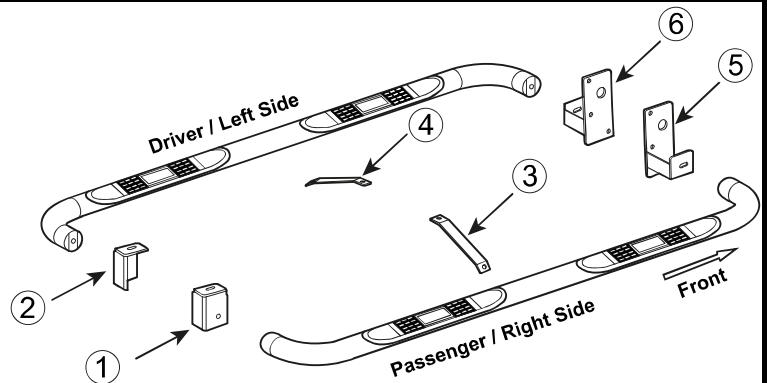


Complete Installation

PARTS IDENTIFICATION GUIDE

Driver Side tube packed using "Green" color foam sheet. Passenger Side tube packed using "White" color foam sheet

No.	Parts Identification
1	Passenger / Right 'Rear' Bracket marked "PR"
2	Driver / Left 'Rear' Bracket marked "DR"
3	Passenger / Right 'Center' Bracket marked "PC"
4	Driver / Left 'Center' Bracket marked "DC"
5	Passenger / Right 'Front' Bracket marked "PF"
6	Driver / Left 'Front' Bracket marked "DF"



Note:

- This guide is to identify the parts and not a reference for part count.
- For part count, refer Parts List.
- Product / Bracket image is representative and actual design may vary.

PRODUCT CARE

- Periodically check the product to ensure all fasteners are tight and components are intact.
- Regular waxing is recommended to protect the finish of the product.
- **Use ONLY Non-Abrasive automotive wax.** Use of any soap, polish or wax that contains an abrasive is detrimental and can scratch the finish leading to corrosion.
- Aluminum polish may be used to polish small scratches and scuffs for **Stainless Steel finish.**
- Mild soap may be used to clean the product for both **Stainless Steel and Black finish.**

FAQ's

1. Hardware's are not of correct size.

In GMC / Chevrolet truck model 2006 & up, customer needs to reuse the factory body bolts to install the bracket. If your vehicle is not GMC / Chevrolet 2006 & up, ensure that holes are not partially covered with any plastic grommet or rust? If it is, remove the plastic grommet & rust from the thread holes & re-try the installation.

2. Mounting Bracket are not getting Installed properly.

In some cases Illustration images shown in Installation manual may not be the exactly same as per actual vehicle images ,also if Driver / Passenger side mounting brackets are very identical in the design, suggest referring Parts Identification guide to avoid fitment issue.

3. Products are thumping / rattling after installation.

Ensure that all required mounting brackets / hardware's are installed & tighten correctly. Suggest using white lithium / regular grease between the metal to metal contact surfaces.

4. Side Bar is not aligning with vehicle / Step Pads are not aligning with vehicle doors.

Side bar may be interchanged or mounting brackets are not installed at the correct position in the vehicle. Refer Parts identification guide.

5. Missing / Excess Hardware.

Recheck hardware count as per the part list.

6. Product not installing properly.

Ensure make model year, cab length and bed size of your vehicle is listed in the application. All installation steps are followed correctly.

Check out these other TrailFX Products!!



Keystone Automotive Operations Inc. (KAO) warrants this product to be free of defects in material and workmanship at the time of purchase by the original retail consumer. KAO disclaims any other warranties, express or implied, including the warranty of fitness for a particular purpose or an intended use. If the product is found to be defective, KAO may replace or repair the product at our option, when the product is returned prepaid, with proof of purchase. Alteration to, improper installation, or misuse of this product voids the warranty. KAO's liability is limited to repair or replacement of products found to be defective, and specifically excludes liability for any incidental or consequential loss or damage.