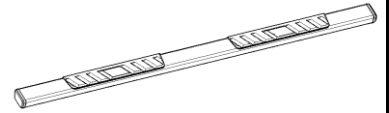




4" Side Bar

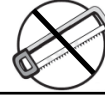
Part No. A4006S



Fits: 1999 - 2016 Ford F250/350/450/550 Super Duty Crew Cab



60-180 min



Cutting Not Required



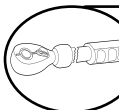
Drilling Not



REMOVE CONTENTS FROM BOX. VERIFY ALL PARTS ARE PRESENT.



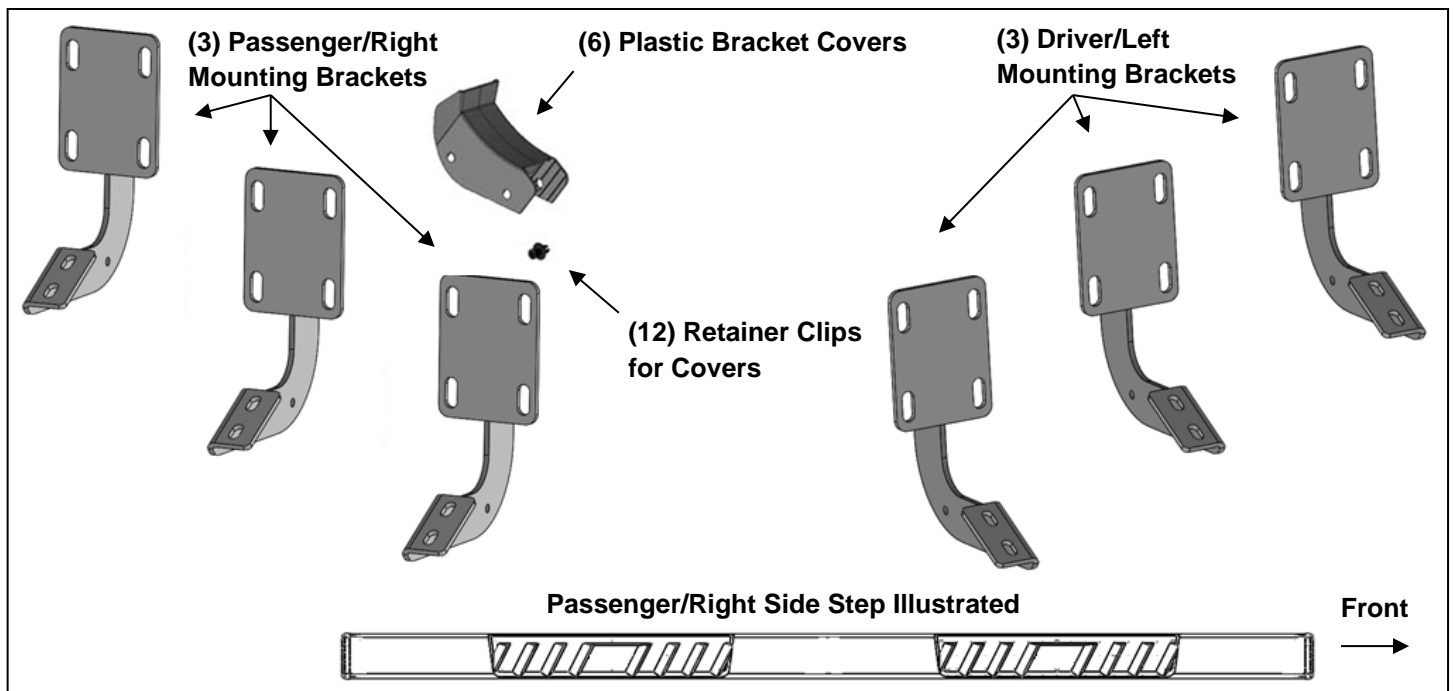
READ INSTRUCTIONS CAREFULLY BEFORE STARTING INSTALLATION.



DO NOT OVER TORQUE. STANDARD OPERATING LOAD FOR TIGHTEN BODY MOUNT NUTS & BOLTS VARIES FROM 45 TO 65 FOOT POUND.

PARTS LIST:

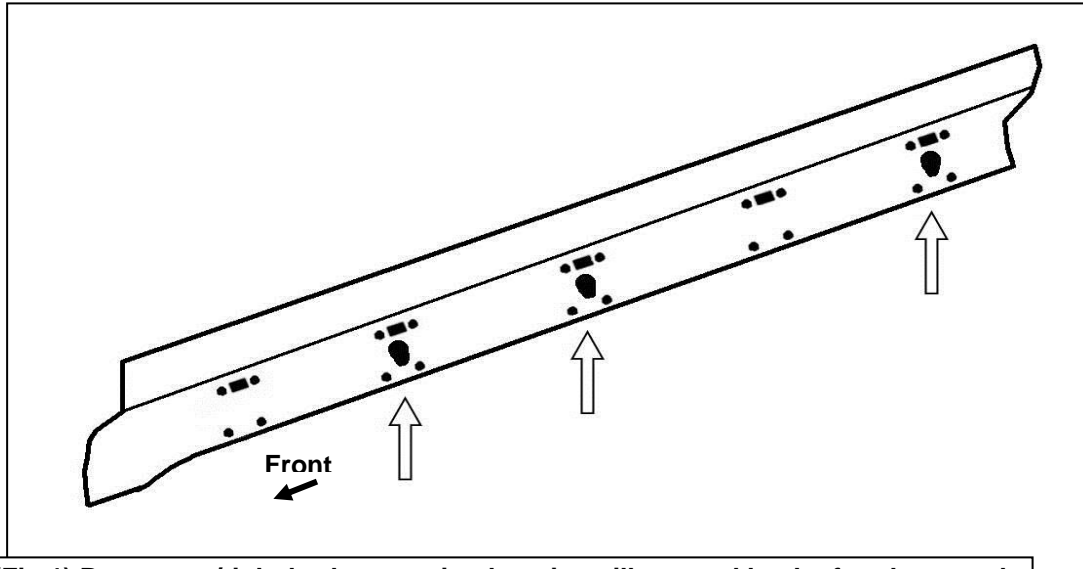
Qty	Part Description	Qty	Part Description
1	Driver/Left T4 Side Step	24	8-1.25mm x 30mm Hex Bolts
1	Passenger/Right T4 Side Step	36	8mm ID x 24mm OD x 2mm Flat Washers
3	Driver/Left Mounting Brackets	24	8mm Lock Washers
3	Passenger/Right Mounting Brackets	12	8mm Hex Nuts
12	8mm Clip Nuts	12	8mm x 25mm Combination Bolts
12	Retainer Clips	6	Plastic Covers



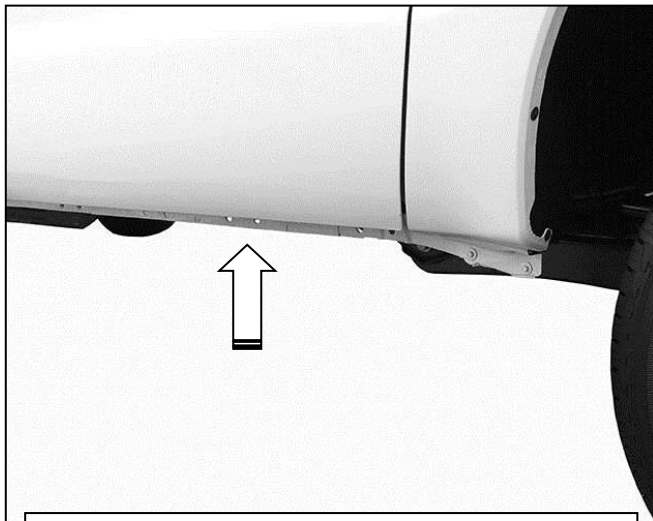
INSTALLATION PROCEDURE:

1. REMOVE CONTENTS FROM BOX. VERIFY ALL PARTS ARE PRESENT. READ INSTRUCTIONS CAREFULLY BEFORE STARTING INSTALLATION. ASSISTANCE IS RECOMMENDED.

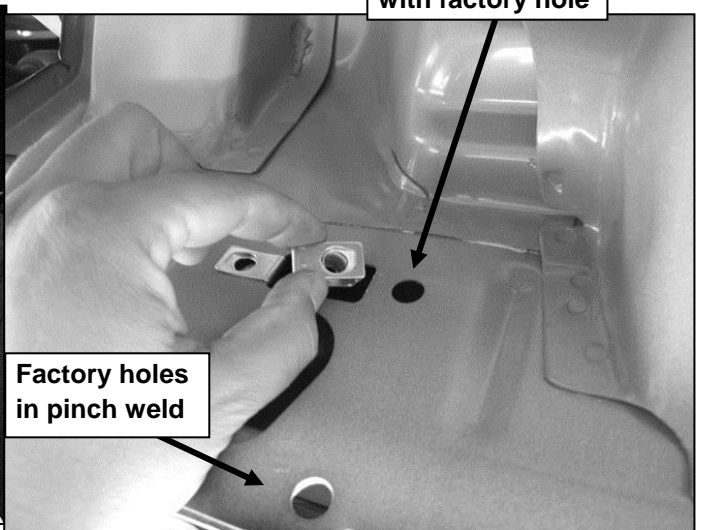
- Starting on the passenger side-front of the vehicle, locate the 2nd set of factory holes in the body panel and pinch weld directly under the center of the front door, **(Figures 1 & 2)**. Each mounting location on the inner body panel is comprised of a rectangular hole with a round hole on each side with (2) two holes in pinch directly below, **(Figures 1 & 3)**.



(Fig 1) Passenger/right body mounting locations illustrated back of rocker panel

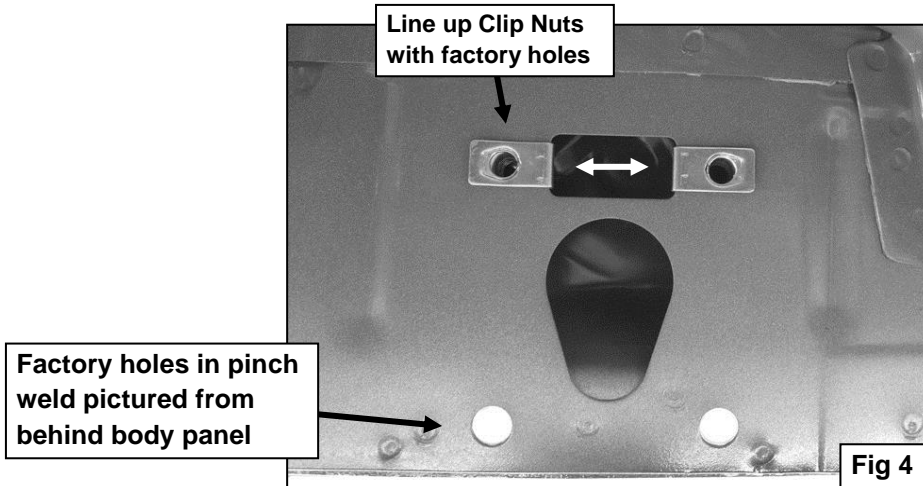


(Fig 2) Bolt the front Bracket to the 2nd pair of factory holes in the bottom of the pinch weld

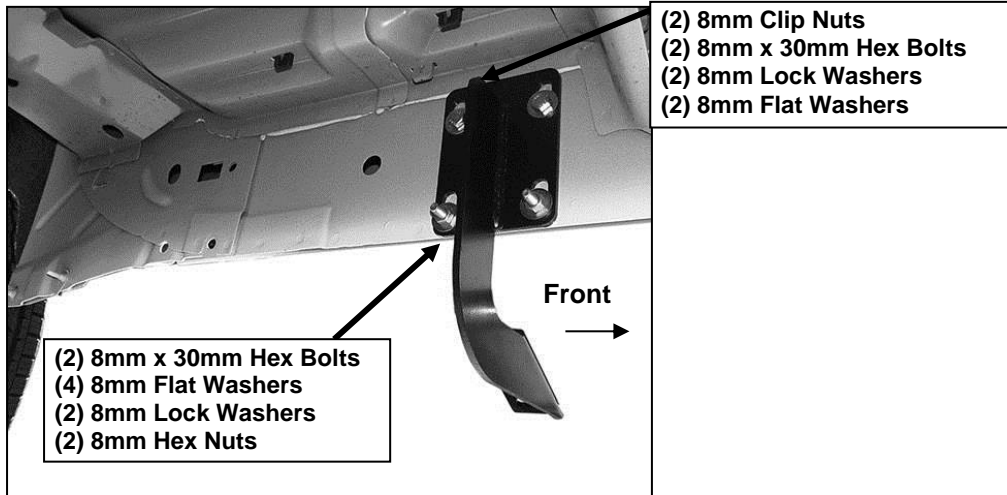


(Fig 3) Typical Mounting Location

- Select (2) 8mm Clip Nuts. Insert Clip Nuts one at a time into the rectangular opening and slide the threaded hole outward towards the round hole. Line up the threaded hole in the Clip with the round hole next to the rectangular opening. **NOTE:** Threaded nut must go towards the inside of the side panel, **(Figures 3 & 4)**.



4. Partially attach (1) Mounting Bracket to the Clip Nuts with the included (2) 8mm x 30mm Hex Bolts, (2) 8mm Lock Washers and (2) 8mm Flat Washers, **(Figure 5)**. **NOTE:** Cradles on the Mounting Brackets should face the front of the vehicle.



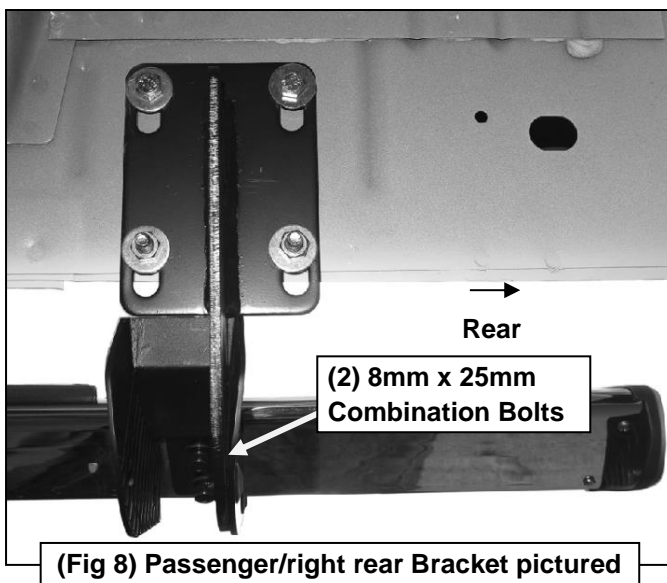
(Fig 5) Passenger/right front Bracket installation pictured

5. Bolt the (2) bottom holes in the Mounting Bracket to the (2) holes in the pinch weld with the included (2) 8mm x 30mm Hex Bolts, (4) 8mm Flat Washers, (2) 8mm Lock Washers and (2) 8mm Hex Nuts, **(Figure 5)**. Do not tighten hardware at this time.
6. Move along the vehicle to the next, (center), mounting location, **(Figure 6)**. Repeat **Steps 2—5** to install (1) Mounting Bracket in the center location. **NOTE:** There are (5) mounting locations along the inner body panel. Side Step installation will use the 2nd, 3rd and 5th mounting locations, **(Figure 1)**. If you are not sure which sets of mounting holes to use, hold the passenger/right Side Step up in the approximate location and line up the threaded inserts on the bottom of the Side Step with the holes in the pinch weld.



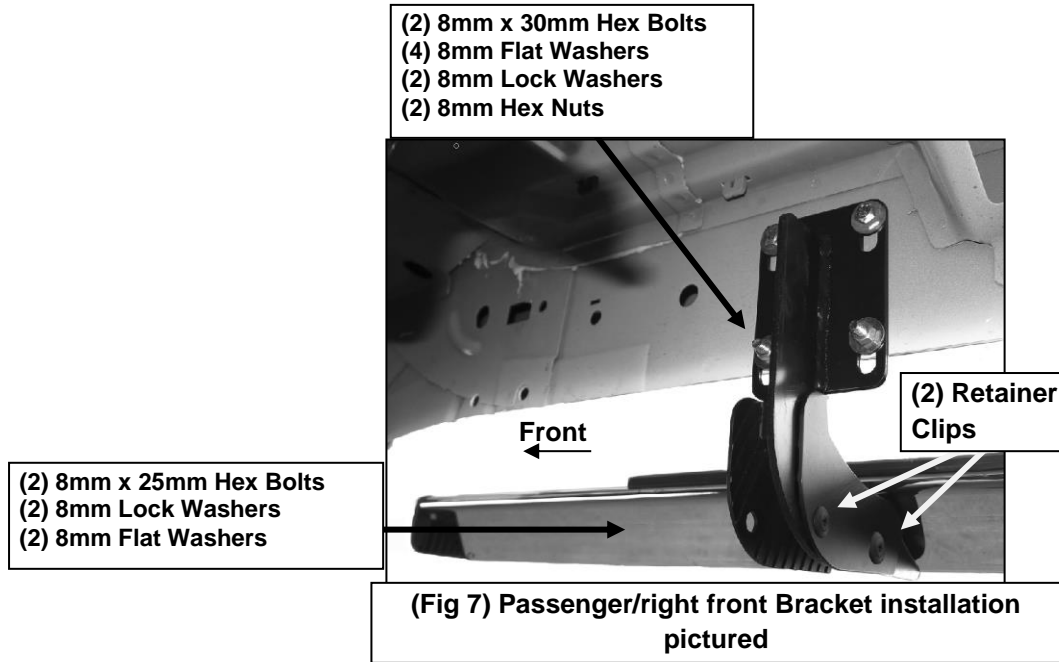
(Fig 6) Passenger/right center mounting location

7. Repeat **Steps 2—5** to install the rear Mounting Bracket in the last location at the back of the cab, **(Figure 8)**.



(Fig 8) Passenger/right rear Bracket pictured

8. Select (1) Plastic Bracket Cover and (2) Retaining Clips. Slide the Cover over the passenger side front Bracket. Line up the (2) mounting holes in the Cover with the holes in the Bracket. Insert the Clip into the holes and push center pin to expand Clip, **(Figure 7)**. Repeat this Step for all Cover installation for the remaining center and rear passenger side Brackets.



9. Carefully unwrap and position the Side Step onto the (3) Mounting Brackets. Bolt the Side Step to the Brackets with (6) 8mm x 25mm Combination Bolts, **(Figures 8)**. Do not tighten at this time.
10. Level and adjust Side Step properly and tighten all hardware.
11. Repeat **Steps 2—10** for driver/left Side Step installation.
12. Do periodic inspections to the installation to make sure that all hardware is secure and tight.



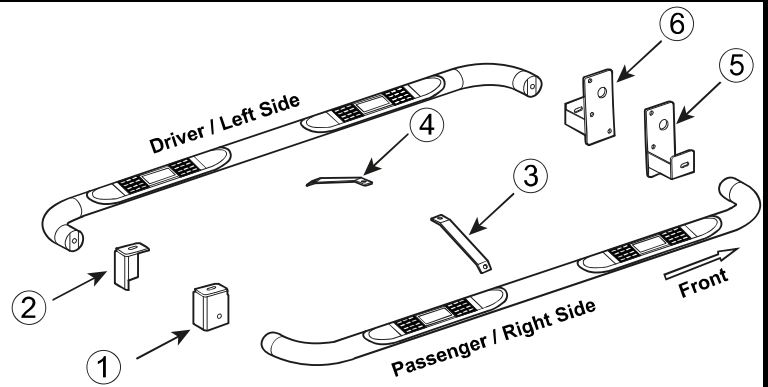
PARTS IDENTIFICATION GUIDE

Driver Side tube packed using "Green" color foam sheet. Passenger Side tube packed using "White" color foam sheet

No.	Parts Identification
1	Passenger / Right 'Rear' Bracket marked "PR"
2	Driver / Left 'Rear' Bracket marked "DR"
3	Passenger / Right 'Center' Bracket marked "PC"
4	Driver / Left 'Center' Bracket marked "DC"
5	Passenger / Right 'Front' Bracket marked "PF"
6	Driver / Left 'Front' Bracket marked "DF"

Note:

- This guide is to identify the parts and not a reference for part count.
- For part count, refer Parts List.
- Product / Bracket image is representative and actual design may vary.



PRODUCT CARE

- Periodically check the product to ensure all fasteners are tight and components are intact.
- Regular waxing is recommended to protect the finish of the product.
- **Use ONLY Non-Abrasive automotive wax.** Use of any soap, polish or wax that contains an abrasive is detrimental and can scratch the finish leading to corrosion.
- Aluminum polish may be used to polish small scratches and scuffs for **Stainless Steel finish.**
- Mild soap may be used to clean the product for both **Stainless Steel and Black finish.**

FAQ's

1. Hardware's are not of correct size.

In GMC / Chevrolet truck model 2006 & up, customer needs to reuse the factory body bolts to install the bracket. If your vehicle is not GMC / Chevrolet 2006 & up, ensure that holes are not partially covered with any plastic grommet or rust? If it is, remove the plastic grommet & rust from the thread holes & re-try the installation.

2. Mounting Bracket are not getting Installed properly.

In some cases Illustration images shown in Installation manual may not be the exactly same as per actual vehicle images ,also if Driver / Passenger side mounting brackets are very identical in the design, suggest referring Parts Identification guide to avoid fitment issue.

3. Products are thumping / rattling after installation.

Ensure that all required mounting brackets / hardware's are installed & tighten correctly. Suggest using white lithium / regular grease between the metal to metal contact surfaces.

4. Side Bar is not aligning with vehicle / Step Pads are not aligning with vehicle doors.

Side bar may be interchanged or mounting brackets are not installed at the correct position in the vehicle. Refer Parts identification guide.

5. Missing / Excess Hardware.

Recheck hardware count as per the part list.

6. Product not installing properly.

Ensure make model year, cab length and bed size of your vehicle is listed in the application. All installation steps are followed correctly.

Check out these other TrailFX Products!!



BULL BAR



GRILLE GUARDS



BED RAILS



RUNNING BOARDS

Keystone Automotive Operations Inc. (KAO) warrants this product to be free of defects in material and workmanship at the time of purchase by the original retail consumer. KAO disclaims any other warranties, express or implied, including the warranty of fitness for a particular purpose or an intended use. If the product is found to be defective, KAO may replace or repair the product at our option, when the product is returned prepaid, with proof of purchase. Alteration to, improper installation, or misuse of this product voids the warranty. KAO's liability is limited to repair or replacement of products found to be defective, and specifically excludes liability for any incidental or consequential loss or damage.