



# 4" Oval Nerf Bar

## Part No. A1527S/B



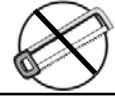
Fits: **2007 - Current Chevrolet Silverado / GMC Sierra 1500/2500/3500 Crew Cab**  
(Excluding Diesel models with DEF tanks)



EXCLUDES VEHICLE WITH DEF TANKS



30-60 min



Cutting Not Required



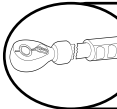
Drilling Not Required



REMOVE CONTENTS FROM BOX. VERIFY ALL PARTS ARE PRESENT.



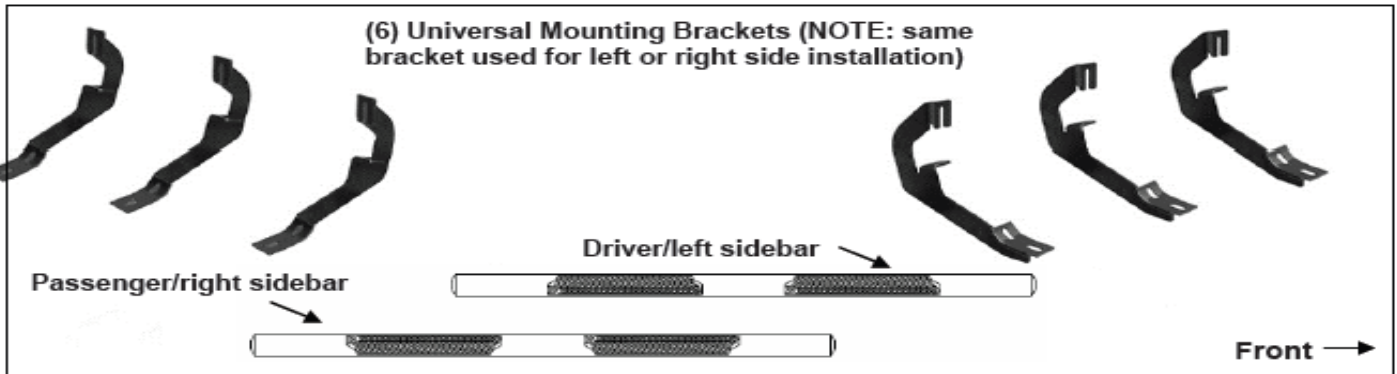
READ INSTRUCTIONS CAREFULLY BEFORE STARTING INSTALLATION.



DO NOT OVER TORQUE. STANDARD OPERATING LOAD FOR TIGHTEN BODY MOUNT NUTS & BOLTS VARIES FROM **45 TO 65** FOOT POUND.

### PARTS LIST:

Qty	Part Description	Qty	Part Description
1 Set	Driver side tube assembly	12	M8-1.25 Clip Nuts
1 Set	Passenger side tube assembly	24	M8-1.25 x 25mm Hex Bolt
6 Set	4" oval sidebar bracket	24	8mm lock washer
		24	8mm x 24mm x 2mm flat washer

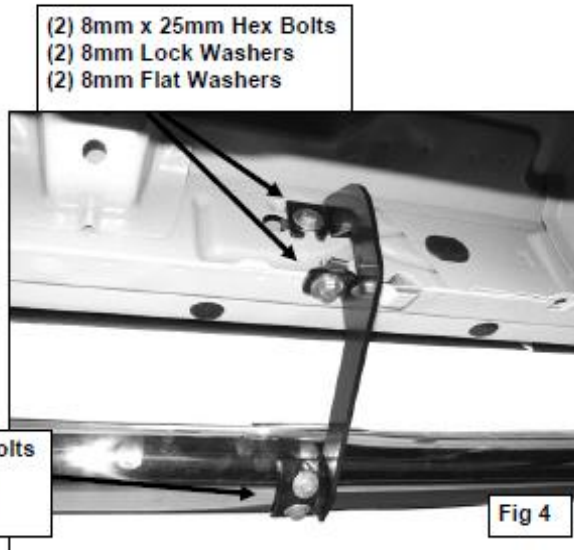
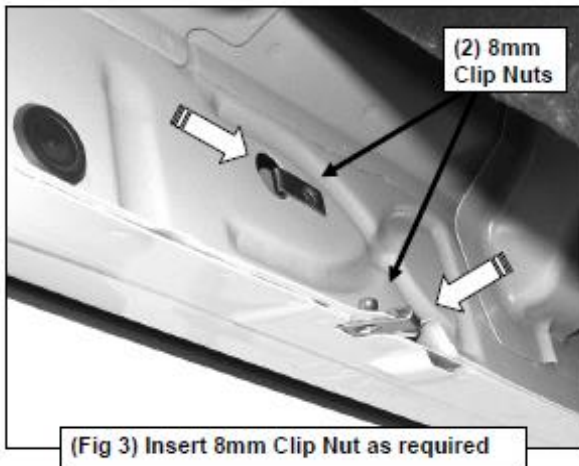
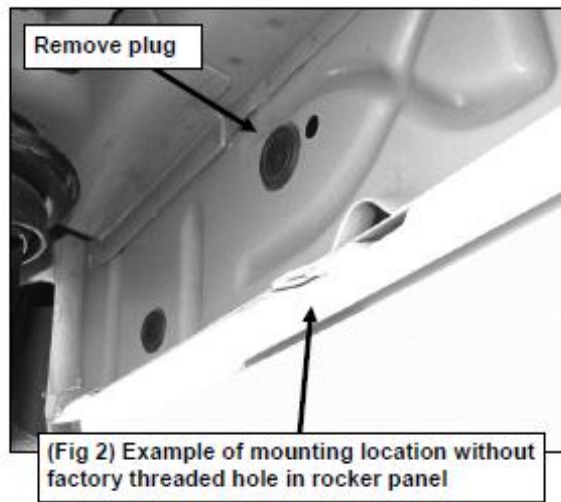
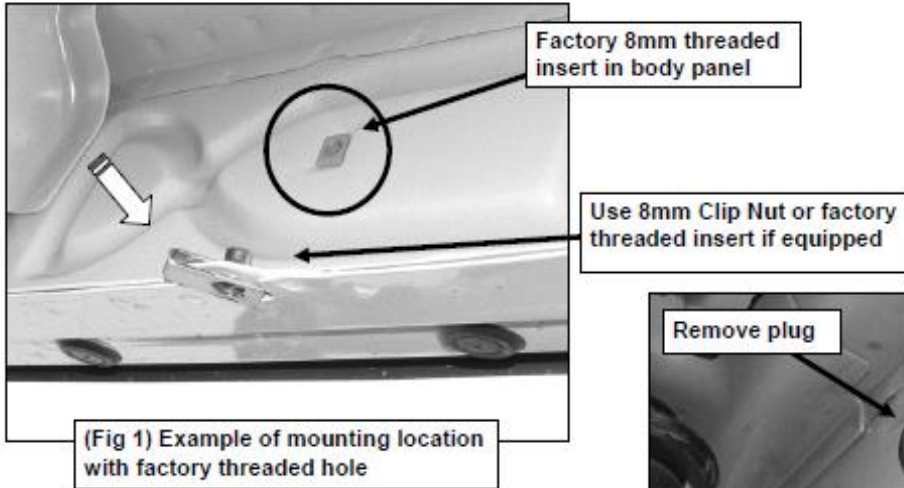


### INSTALLATION PROCEDURE

1. Start the installation under the driver side of the vehicle. Locate the 1st, 2nd and 4th mounting tabs along the bottom edge of the body, (Figure 1). If necessary, hold the driver side Sidebar up in place to help determine the correct mounting holes to use along the bottom of the body. **Vehicles with flat tab, no threaded hole:** Select (1) 8mm Clip Nut. Slide the Clip Nut over the first tab with the nut facing up behind the tab, (Figure 1). Line up threaded nut with hole in tab. **Vehicles with factory installed threaded insert in tab:** Thread hex bolt into threaded insert from the backside-down to clear paint as required.
2. Locate the inner mounting location on the back of the rocker panel directly above the flat tab in Step 1. **Vehicles without threaded hole:** Remove the rubber plug from the larger hole, (Figure 2). Select (1) 8mm Clip Nut. Slide the Clip Nut into the larger hole. Line up the threaded nut with the smaller hole, (Figure 3). **Vehicles with factory installed threaded insert:** Thread 8mm Hex Bolt into threaded insert to clear paint as required. Use a small amount of oil if necessary, (Figure 1).
3. Select (1) Mounting Bracket. **NOTE:** Brackets are universal and will fit left or right side. Bolt the Mounting Bracket to the Clip Nuts and/or the factory threaded holes with (2) 8mm Hex Bolts, (2) 8mm Lock Washers and (2) 8mm Flat Washers, (Figure 4). Snug but do not fully tighten the hardware.
4. Repeat Steps 1 – 3 for all Bracket installations.
5. Carefully position the Driver Sidebar onto the (3) Mounting Brackets. Attach the Sidebar to the Mounting Brackets with (6) 8mm x 25mm Hex Bolts, (6) 8mm Lock Washers and (6) 8mm Flat Washers, (Figures 4). Do not tighten hardware at this time

6. Level and adjust the Sidebar and tighten all hardware
7. Repeat **Steps 2 – 6** for passenger Sidebar installation.

**Driver Side Installation Pictured**



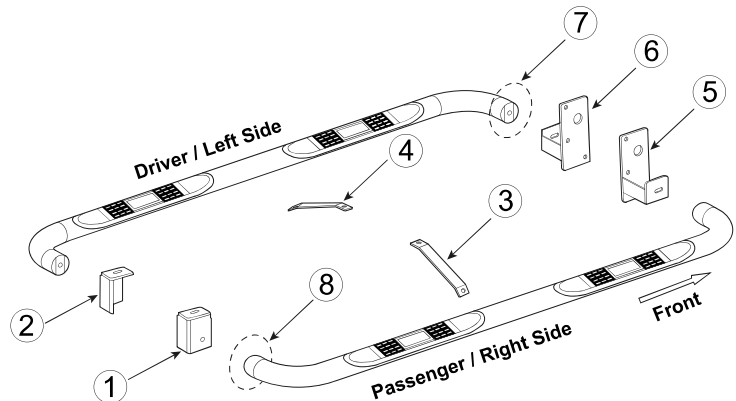
## PARTS IDENTIFICATION GUIDE

*Driver Side tube taped in "Red" Color. Passenger Side tube taped in "Blue" Color.*

No.	Parts Identification
1	Passenger / Right 'Rear' Bracket marked "RR"
2	Driver / Left 'Rear' Bracket marked "RL"
3	Passenger / Right 'Center' Bracket marked "CR"
4	Driver / Left 'Center' Bracket marked "CL"
5	Passenger / Right 'Front' Bracket marked "FR"
6	Driver / Left 'Front' Bracket marked "FL"
7	'Left' marked "L"
8	'Right' marked "R"

**Note:**

- This guide is to identify the parts and not a reference for part count.
- Product / Bracket image is for representative purpose only.
- Actual design may vary based on application.
- Refer Parts List for Hardware.



## PRODUCT CARE

- Periodically check the product to ensure all fasteners are tight and components are intact.
- Regular waxing is recommended to protect the finish of the product.
- **Use ONLY Non-Abrasive automotive wax.** Use of any soap, polish or wax that contains an abrasive is detrimental and can scratch the finish leading to corrosion.
- Aluminum polish may be used to polish small scratches and scuffs for **Stainless Steel finish.**
- Mild soap may be used to clean the product for both **Stainless Steel and Black finish.**

## FAQ's

### 1. Hardware's are not of correct size.

*In GMC / Chevrolet truck model 2006 & up, customer needs to reuse the factory body bolts to install the bracket. If your vehicle is not GMC / Chevrolet 2006 & up, ensure that holes are not partially covered with any plastic grommet or rust? If it is, remove the plastic grommet & rust from the thread holes & re-try the installation.*

### 2. Mounting Bracket are not getting Installed properly.

*In some cases Illustration images shown in Installation manual may not be the exactly same as per actual vehicle images ,also if Driver / Passenger side mounting brackets are very identical in the design, suggest referring Parts Identification guide to avoid fitment issue.*

### 3. Products are thumping / rattling after installation.

*Ensure that all required mounting brackets / hardware's are installed & tighten correctly. Suggest using white lithium / regular grease between the metal to metal contact surfaces.*

### 4. Side Bar is not aligning with vehicle / Step Pads are not aligning with vehicle doors.

*Side bar may be interchanged or mounting brackets are not installed at the correct position in the vehicle. Refer Parts identification guide.*

### 5. Missing / Excess Hardware.

*Recheck hardware count as per the part list.*

### 6. Product not installing properly.

*Ensure make model year, cab length and bed size of your vehicle is listed in the application. All installation steps are followed correctly.*