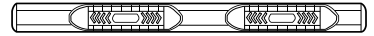




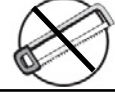
4" Oval Nerf Bar

Part No. A1518S



Fits: 2003-2008

Nissan Murano



60-180 min

Cutting Not Required

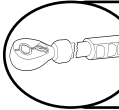
Drilling Not Required



REMOVE CONTENTS FROM BOX. VERIFY ALL PARTS ARE PRESENT.



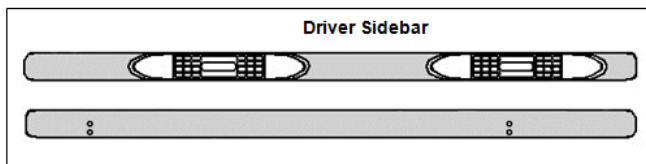
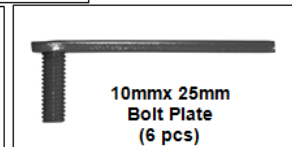
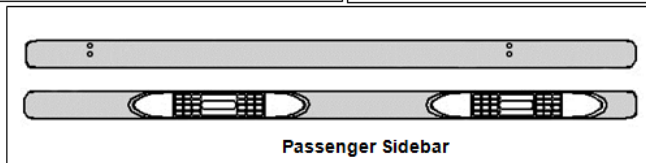
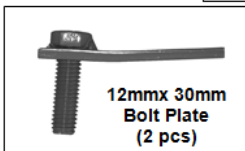
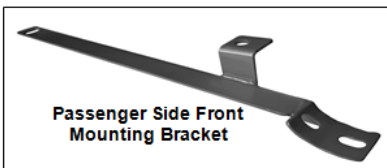
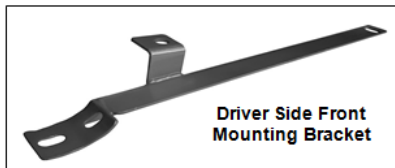
READ INSTRUCTIONS CAREFULLY BEFORE STARTING INSTALLATION.



DO NOT OVER TORQUE. STANDARD OPERATING LOAD FOR TIGHTEN BODY MOUNT NUTS & BOLTS VARIES FROM 45 TO 65 FOOT POUND.

PARTS LIST:

Qty	Part Description	Qty	Part Description
1	Driver/Left Front Mounting Bracket	6	10mm Hex Nuts
1	Passenger/Right Front Mounting Bracket	6	10mm Lock Washers
1	Driver/Left Rear Mounting Bracket	6	10mm ID x 30mm OD x2.5mm Flat Washers
1	Passenger/Right Rear Mounting Bracket	2	12-.175mm x 30mm Bolt Plates
8	8-1.25mm x 25mm Hex Head Bolts	2	12mm Hex Nuts
8	8mm Lock Washers	2	12mm Lock Washers
8	8mm ID x 24mm OD x 2mm Flat Washers	2	12mm ID x 32mm x 3mm Flat Washers
6	10-1.50mm x 25mm Bolt Plates		



INSTALLATION PROCEDURE

1. Locate the two factory holes in the driver side frame rail towards the lower sub frame and insert (1) 10mm x 25mm Bolt Plate through front factory hole. **NOTE:** Insert Bolt Plate from front to back, and once it's inside the frame push all the way towards the front of the vehicle to fully engage (**Figure 1 & 2**).
2. On the outer side of pinch weld, there are several rubber plugs in the floor panel. Remove the rubber plug that lines up with the previously inserted Bolt Plate, then insert (1) 10mm x 25mm Bolt Plate. **NOTE:** Insert Bolt Plate from front to back, and once it's inside the frame push all the way towards the front of the vehicle to fully engage (**Figure 1 & 2**).

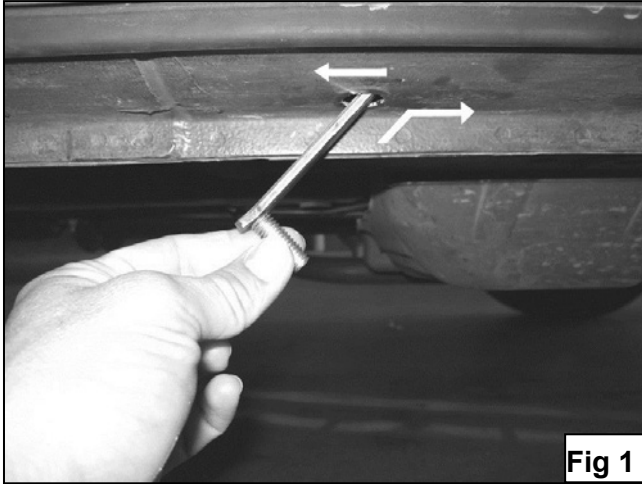


Fig 1

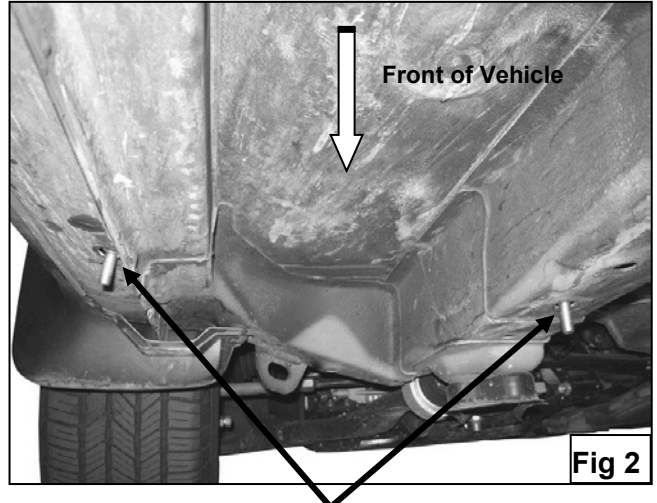


Fig 2

10mm x 25mm Bolt Plates

3. Partially hang driver side front Mounting Bracket to already inserted Bolt Plates using the included (2) 10mm Hex Nuts, (2) 10mm Lock washers, and (2) 10mm Flat Washers (**Figure 3 & 4**).

Driver Side Front Mounting Bracket Front View Shown

(10mm x 25mm Bolt Plate)
10mm Lock Washer
10mm Flat Washer
10mm Hex Nuts

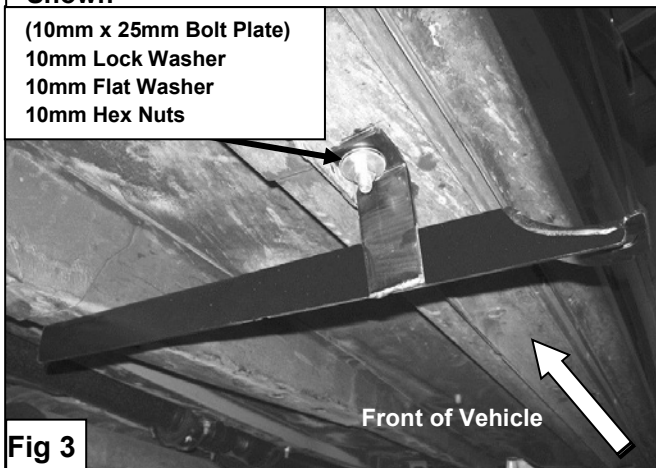


Fig 3

Driver Side Front Mounting Bracket Rear View Shown

(10mm x 25mm Bolt Plate)
10mm Lock Washer
10mm Flat Washer
10mm Hex Nuts

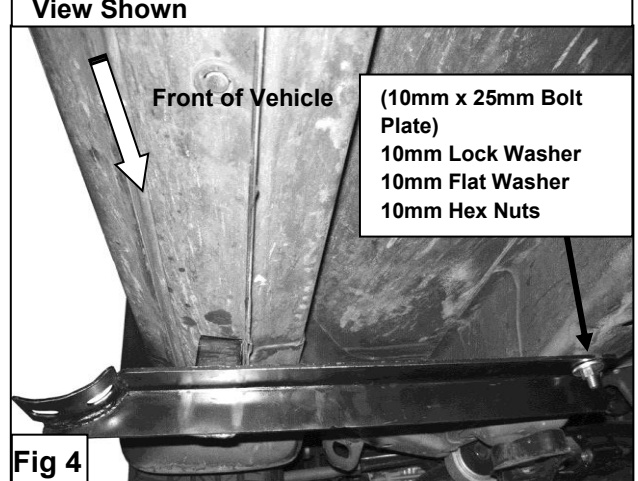
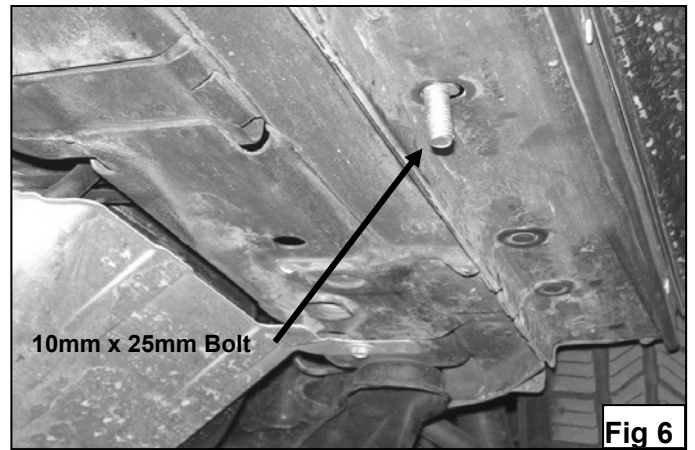
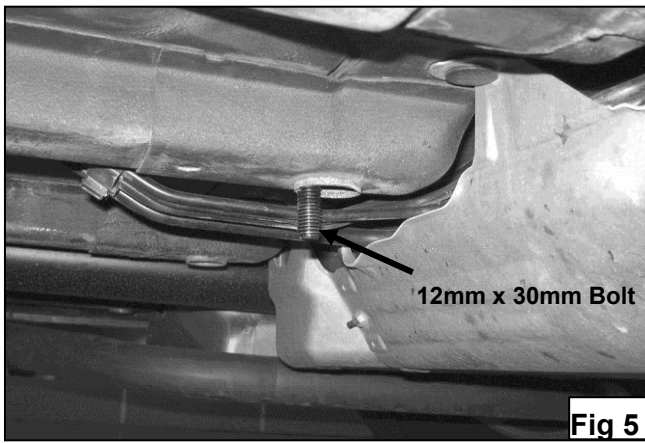


Fig 4

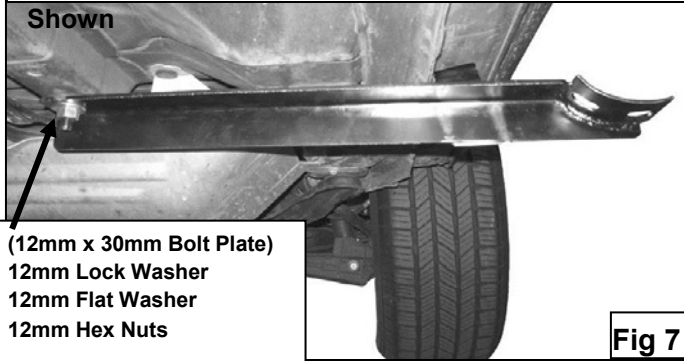
4. Locate the slotted hole in the rear end of frame rail and insert (1) 12mm x 30mm Bolt Plate. **NOTE:** Insert Bolt Plate from front to back, and once it's inside the frame push all the way towards the front of the vehicle to fully engage (**Figure 5**).



5. Remove the rubber plug that lines up with the previously inserted Bolt Plate, then insert (1) 10mm x 25mm Bolt Plate (**Figure 6**).
6. Partially hang the driver side rear Mounting Bracket to already inserted Bolt Plates using the included (1) 10mm Hex Nuts, (1) 10mm Lock washers, and (1) 10mm Flat Washers on the outer Bolt Plate and (1) 12mm Lock Washer, (1) 12mm Hex Nut, and (1) 12mm Flat Washer on the inner Bolt Plate (**Figure 7 & 8**).

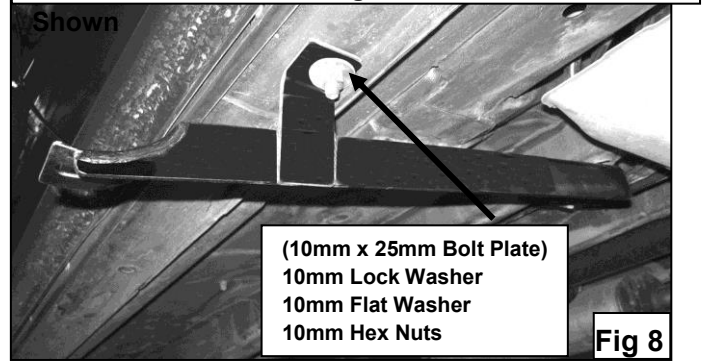
Driver Side Rear Mounting Bracket Front View

Shown

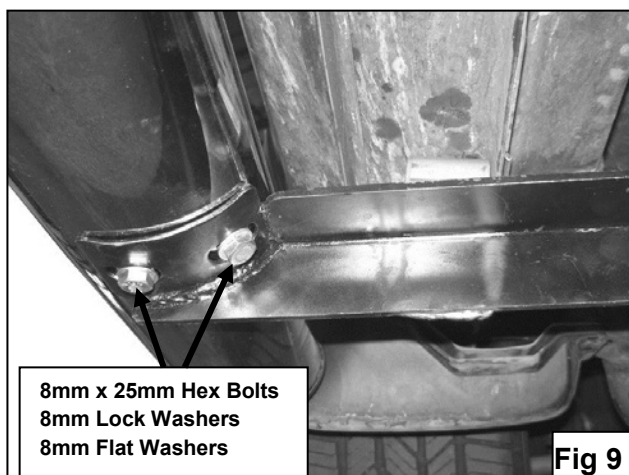


Driver Side Rear Mounting Bracket Rear View

Shown



7. Position driver Sidebar onto Mounting Brackets. Use the included (4) 8mm x 25mm Hex Head Bolts, (4) 8mm Lock Washers, and (4) 8mm Flat Washers to attach Sidebar to Mounting Brackets (**Figure 9**).



8. Adjust the Sidebar properly and then tighten all hardware at this time.
9. Repeat **steps 1 – 7** for passenger Sidebar.

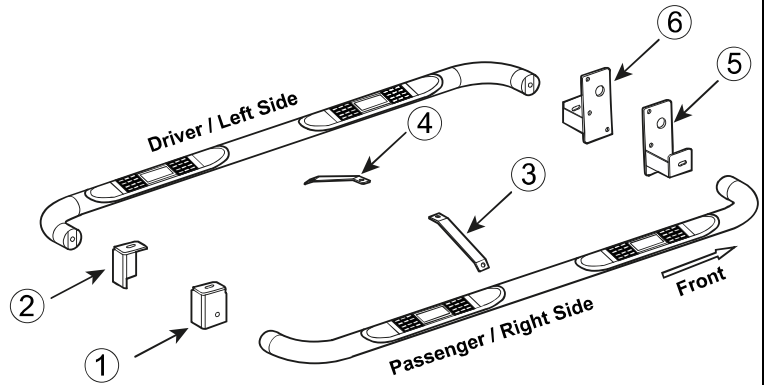
PARTS IDENTIFICATION GUIDE

Driver Side tube packed using "Green" color foam sheet. Passenger Side tube packed using "White" color foam sheet

No.	Parts Identification
1	Passenger / Right 'Rear' Bracket marked "PR"
2	Driver / Left 'Rear' Bracket marked "DR"
3	Passenger / Right 'Center' Bracket marked "PC"
4	Driver / Left 'Center' Bracket marked "DC"
5	Passenger / Right 'Front' Bracket marked "PF"
6	Driver / Left 'Front' Bracket marked "DF"

Note:

- This guide is to identify the parts and not a reference for part count.
- For part count, refer Parts List.
- Product / Bracket image is representative and actual design may vary.



PRODUCT CARE

- Periodically check the product to ensure all fasteners are tight and components are intact.
- Regular waxing is recommended to protect the finish of the product.
- **Use ONLY Non-Abrasive automotive wax.** Use of any soap, polish or wax that contains an abrasive is detrimental and can scratch the finish leading to corrosion.
- Aluminum polish may be used to polish small scratches and scuffs for **Stainless Steel finish.**
- Mild soap may be used to clean the product for both **Stainless Steel and Black finish.**

FAQ's

1. Hardware's are not of correct size.

In GMC / Chevrolet truck model 2006 & up, customer needs to reuse the factory body bolts to install the bracket. If your vehicle is not GMC / Chevrolet 2006 & up, ensure that holes are not partially covered with any plastic grommet or rust? If it is, remove the plastic grommet & rust from the thread holes & re-try the installation.

2. Mounting Bracket are not getting Installed properly.

In some cases Illustration images shown in Installation manual may not be the exactly same as per actual vehicle images ,also if Driver / Passenger side mounting brackets are very identical in the design, suggest referring Parts Identification guide to avoid fitment issue.

3. Products are thumping / rattling after installation.

Ensure that all required mounting brackets / hardware's are installed & tighten correctly. Suggest using white lithium / regular grease between the metal to metal contact surfaces.

4. Side Bar is not aligning with vehicle / Step Pads are not aligning with vehicle doors.

Side bar may be interchanged or mounting brackets are not installed at the correct position in the vehicle. Refer Parts identification guide.

5. Missing / Excess Hardware.

Recheck hardware count as per the part list.

6. Product not installing properly.

Ensure make model year, cab length and bed size of your vehicle is listed in the application. All installation steps are followed correctly.