



**3" OVAL BENT END SIDEBARS**  
**Part No. A0061B/S**



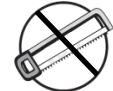
**Fits: 2019-Current SILVERADO/SIERRA 1500 REGULAR CAB (Incl. Diesel models with DEF tanks) /2020-Current SILVERADO/SIERRA 2500/3500 REGULAR CAB (Incl. Diesel models with DEF tanks)**



Including Diesel models with DEF tanks



60-180 min



Cutting is not Required



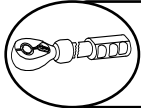
Drilling is not Required



REMOVE CONTENTS FROM BOX. VERIFY ALL PARTS ARE PRESENT.



READ INSTRUCTIONS CAREFULLY BEFORE STARTING INSTALLATION.

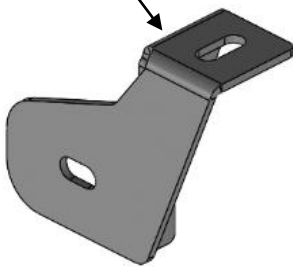


DO NOT OVER TORQUE. STANDARD OPERATING LOAD FOR TIGHTEN BODY MOUNT NUTS & BOLTS VARIES FROM 60 TO 70 FOOT POUND.

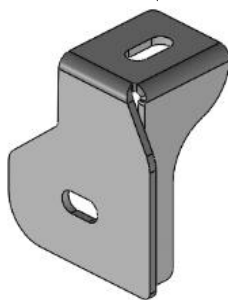
**PARTS LIST:**

Qty	Part Description	Qty	Part Description
1	Driver/Left Sidebar	1	Passenger/Right Rear Mounting Bracket
1	Passenger/Right Sidebar	4	1/2" x 2" Hex Bolts
1	Driver/Left Front Mounting Bracket	4	1/2" Lock Washers
1	Passenger/Right Front Mounting Bracket	4	1/2" x 1-1/2" OD x 1/8" Flat Washers
1	Driver/Left Rear Mounting Bracket	4	12mm x 24mm OD x 2.5mm Large Flat Washers

Passenger/Right Rear Bracket



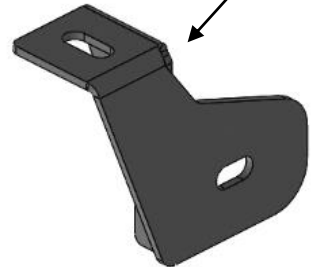
Passenger/Right Mounting Bracket



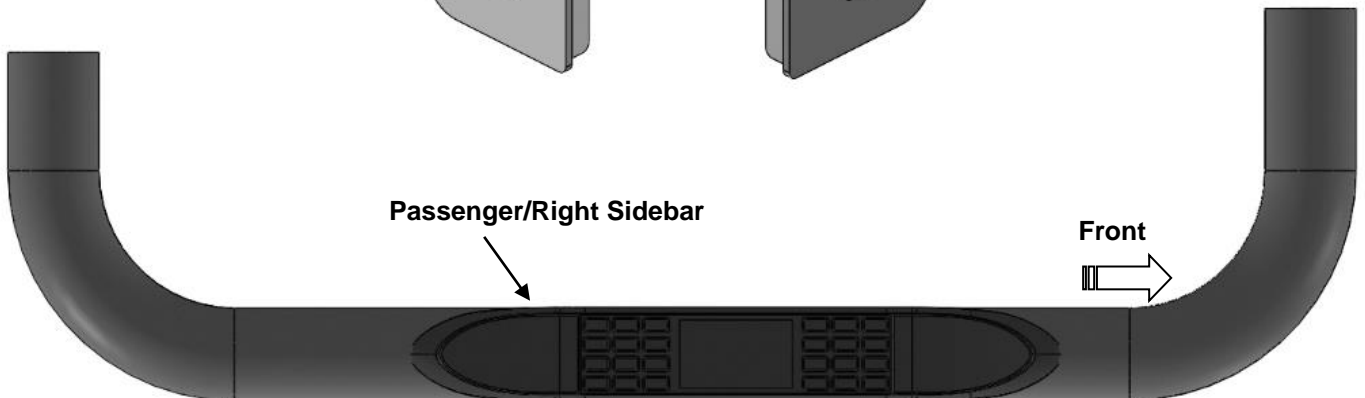
Driver/Left Mounting Bracket



Driver/Left Rear Bracket



Passenger/Right Sidebar



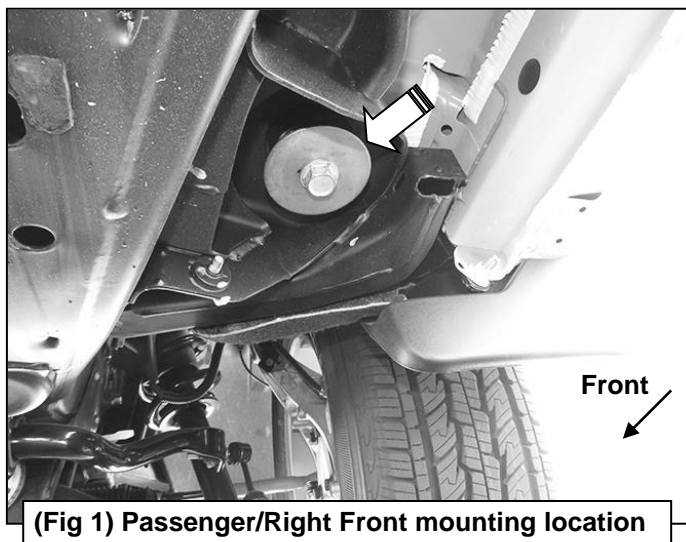
**PROCEDURE:**

**REMOVE CONTENTS FROM BOX. VERIFY ALL PARTS ARE PRESENT. READ INSTRUCTIONS CAREFULLY BEFORE STARTING INSTALLATION. ASSISTANCE IS RECOMMENDED.**

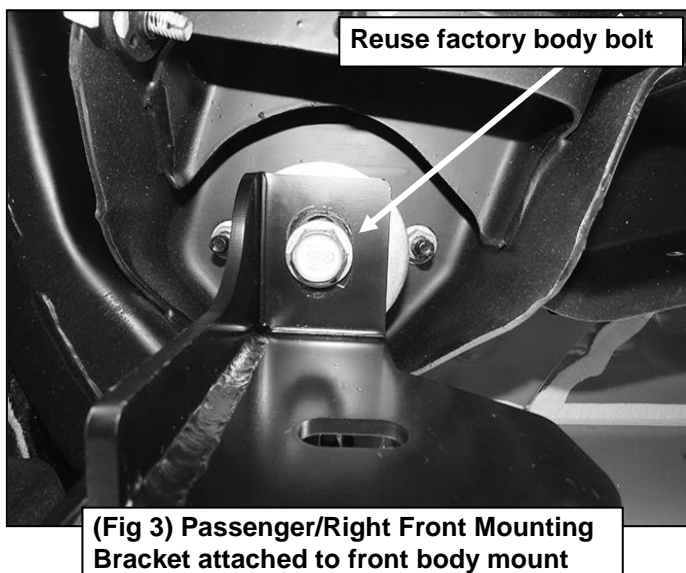
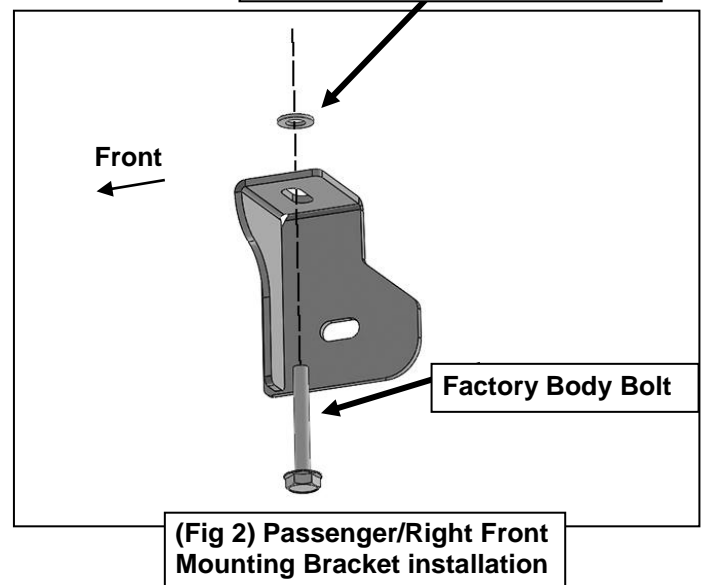
1. Start the installation under the Passenger/Right side of the vehicle. Locate the front body mount, **(Figure 1)**. Remove the front body bolt.
2. Select the Passenger/Right Front Mounting Bracket.  
**For 2019 models:** Reuse the factory body bolt to attach the Bracket to the body mount, **(Figures 2 & 3)**. Do not tighten hardware at this time.  
**For 2020 models:** Reuse the factory body bolt and (1) 12mm Large Flat Washer to attach the Bracket to the body mount, **(Figures 2 & 3)**. Do not tighten hardware at this time.
3. Move to the rear mounting location, **(Figure 4)**. Repeat **Steps 1 & 2** to attach the Passenger/Right Rear Mounting Bracket to the rear body mount, **(Figures 5 & 6)**.
4. Carefully unwrap and select the Passenger/Right Sidebar. Use the illustration above to help identify the correct Sidebar. Attach front of the Sidebar to the bracket with (1) 1/2" Hex Bolt, (1) 1/2" Lock Washer and (1) 1/2" Flat Washer, **(Figures 7 & 8)**. Do not tighten hardware.
5. Repeat **Step 4** to attach the rear of the Sidebar to the Rear Bracket, **(Figures 9 & 10)**. Do not tighten hardware at this time.
6. Level and adjust the Sidebar as necessary and fully tighten all hardware.
7. Repeat **Steps 1—6** for Driver/Left Sidebar installation.
8. Do periodic inspections to the installation to make sure that all hardware is secure and tight.

**To protect your investment**, wax this product after installing. Regular waxing is recommended to add a protective layer over the finish. Do not use any type of polish or wax that may contain abrasives that could damage the finish. Mild soap may be used also to clean the Sidebar.

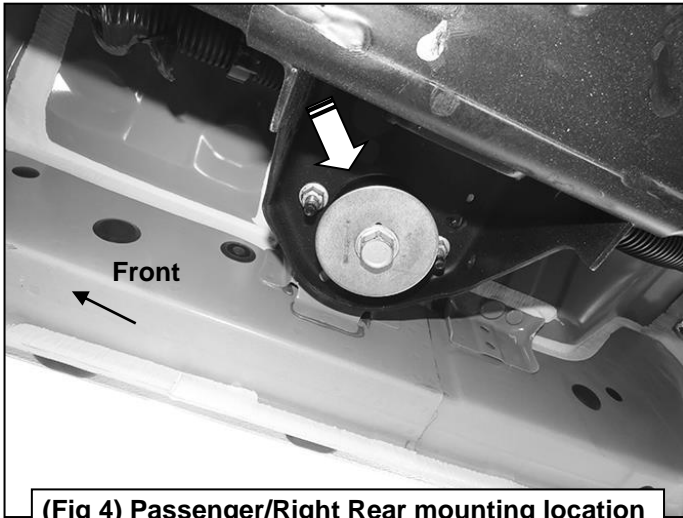
### Passenger/Right Side Installation Pictured



**NOTE: For 2020 models, use: (1) 12mm Large Flat Washer between the Mounting Bracket and mounting location**

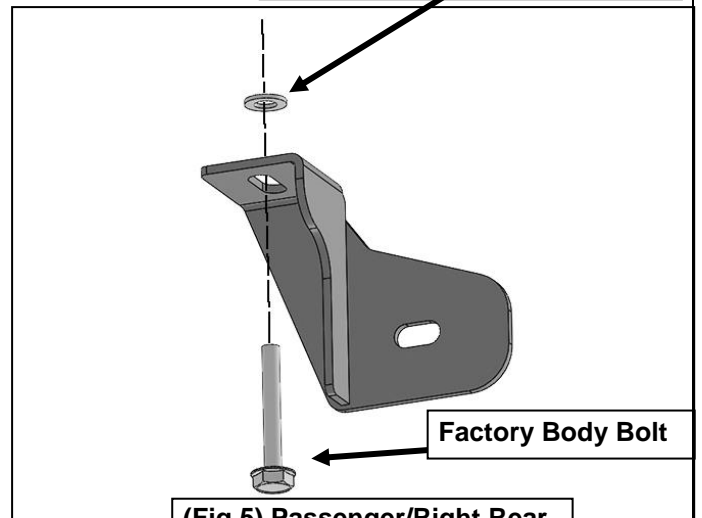


### Passenger/Right Side Installation Pictured

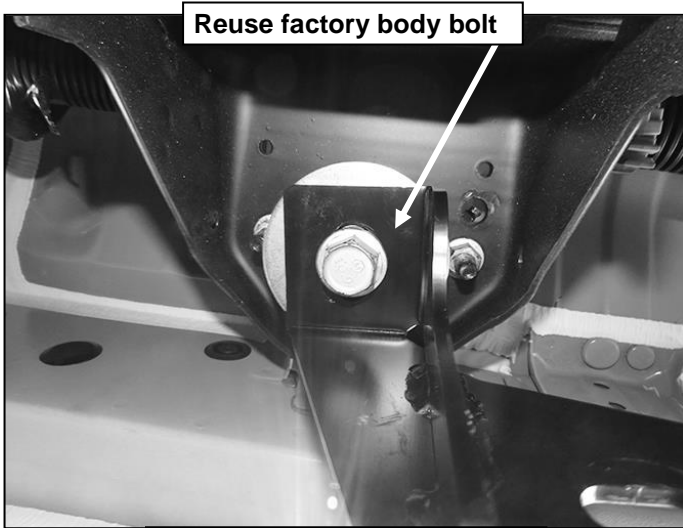


(Fig 4) Passenger/Right Rear mounting location

**NOTE: For 2020 models, use:  
(1) 12mm Large Flat Washer  
between the Mounting Bracket  
and mounting location**

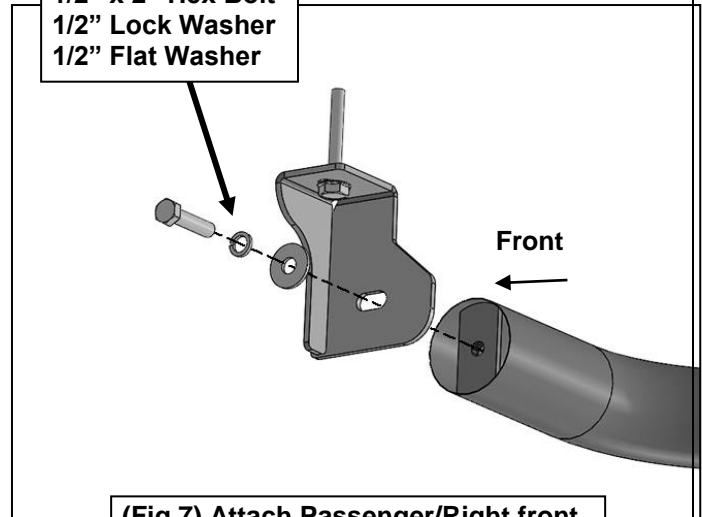


(Fig 5) Passenger/Right Rear Mounting Bracket installation



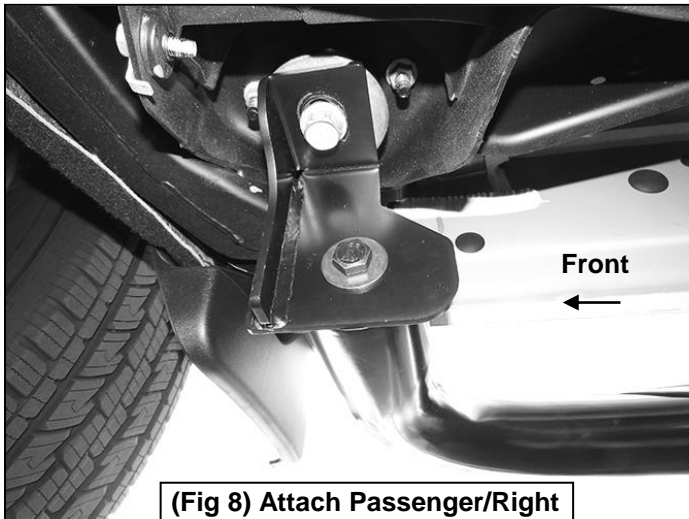
(Fig 6) Passenger/Right Rear Mounting Bracket installed

**1/2" x 2" Hex Bolt  
1/2" Lock Washer  
1/2" Flat Washer**



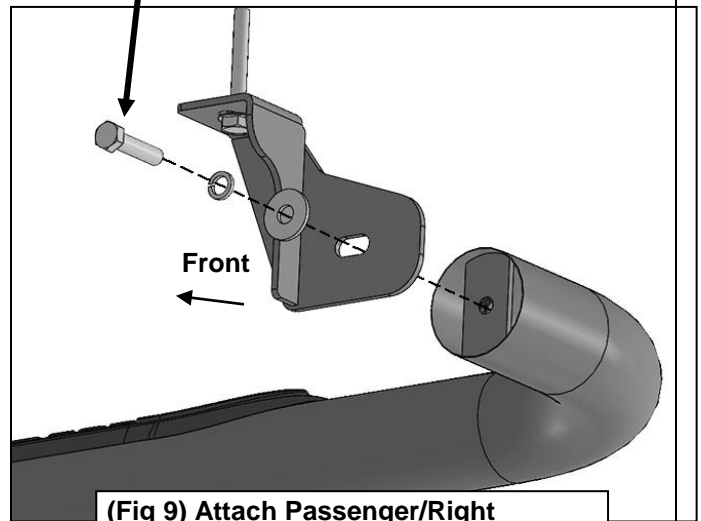
(Fig 7) Attach Passenger/Right front of Sidebar to Front Mounting Bracket

## Passenger/Right Side Installation Pictured

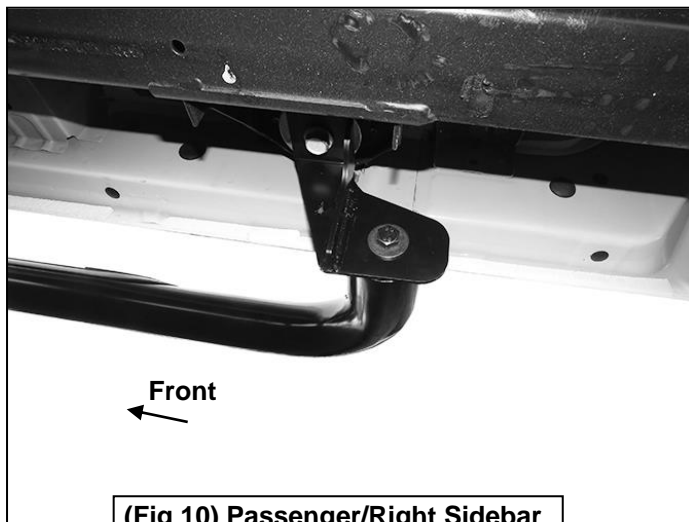


**(Fig 8) Attach Passenger/Right Sidebar to Front Bracket**

1/2" x 2" Hex Bolt  
1/2" Lock Washer  
1/2" Flat Washer



**(Fig 9) Attach Passenger/Right Sidebar to the Rear Mounting Bracket**

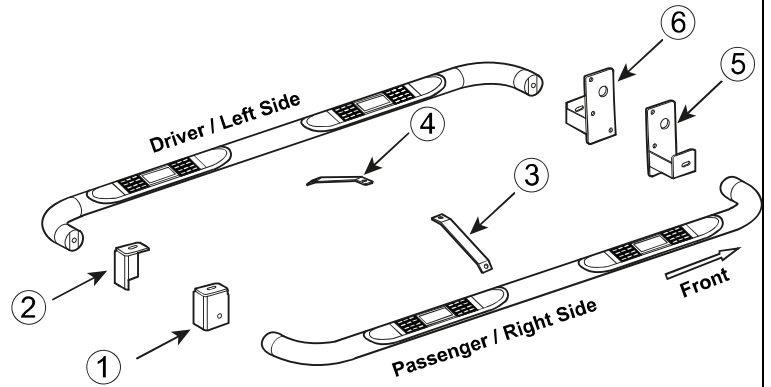


**(Fig 10) Passenger/Right Sidebar to the Rear Mounting Bracket**

## PARTS IDENTIFICATION GUIDE

Driver Side tube packed using "Green" color foam sheet. Passenger Side tube packed using "White" color foam sheet

No.	Parts Identification
1	Passenger / Right 'Rear' Bracket marked "PR"
2	Driver / Left 'Rear' Bracket marked "DR"
3	Passenger / Right 'Center' Bracket marked "PC"
4	Driver / Left 'Center' Bracket marked "DC"
5	Passenger / Right 'Front' Bracket marked "PF"
6	Driver / Left 'Front' Bracket marked "DF"



**Note:**

- This guide is to identify the parts and not a reference for part count.
- For part count, refer Parts List.
- Product / Bracket image is representative and actual design may vary.

## PRODUCT CARE

- Periodically check the product to ensure all fasteners are tight and components are intact.
- Regular waxing is recommended to protect the finish of the product.
- **Use ONLY Non-Abrasive automotive wax.** Use of any soap, polish or wax that contains an abrasive is detrimental and can scratch the finish leading to corrosion.
- Aluminum polish may be used to polish small scratches and scuffs for **Stainless Steel finish.**
- Mild soap may be used to clean the product for both **Stainless Steel and Black finish.**

## FAQ's

### 1. Hardware's are not of correct size.

In GMC / Chevrolet truck model 2006 & up, customer needs to reuse the factory body bolts to install the bracket. If your vehicle is not GMC / Chevrolet 2006 & up, ensure that holes are not partially covered with any plastic grommet or rust? If it is, remove the plastic grommet & rust from the thread holes & re-try the installation.

### 2. Mounting Bracket are not getting Installed properly.

In some cases Illustration images shown in Installation manual may not be the exactly same as per actual vehicle images ,also if Driver / Passenger side mounting brackets are very identical in the design, suggest referring Parts Identification guide to avoid fitment issue.

### 3. Products are thumping / rattling after installation.

Ensure that all required mounting brackets / hardware's are installed & tighten correctly. Suggest using white lithium / regular grease between the metal to metal contact surfaces.

### 4. Side Bar is not aligning with vehicle / Step Pads are not aligning with vehicle doors.

Side bar may be interchanged or mounting brackets are not installed at the correct position in the vehicle. Refer Parts identification guide.

### 5. Missing / Excess Hardware.

Recheck hardware count as per the part list.

### 6. Product not installing properly.

Ensure make model year, cab length and bed size of your vehicle is listed in the application. All installation steps are followed correctly.

## Check out these other TrailFX Products!!



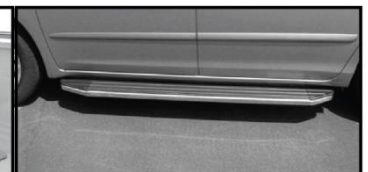
**BULL BAR**



**GRILLE GUARDS**



**BED RAILS**



**RUNNING BOARDS**



**RUNNING BOARDS**



**RUNNING BOARDS**

free of defects in material and workmanship at the time of purchase by the or implied, including the warranty of fitness for a particular purpose or an or repair the product at our option, when the product is returned prepaid, of this product voids the warranty. KAO's liability is limited to repair or ability for any incidental or consequential loss or damage.