

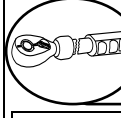


3" Side Bar

Part No. A0055S/T



Fits: 2018-Current WRANGLER JL 4DR



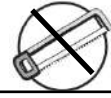
REMOVE CONTENTS FROM BOX. VERIFY ALL PARTS ARE PRESENT.

READ INSTRUCTIONS CAREFULLY BEFORE STARTING INSTALLATION.

DO NOT OVER TORQUE. STANDARD OPERATING LOAD FOR TIGHTEN BODY MOUNT NUTS & BOLTS VARIES FROM 45 TO 65 FOOT POUND.



60-180 min



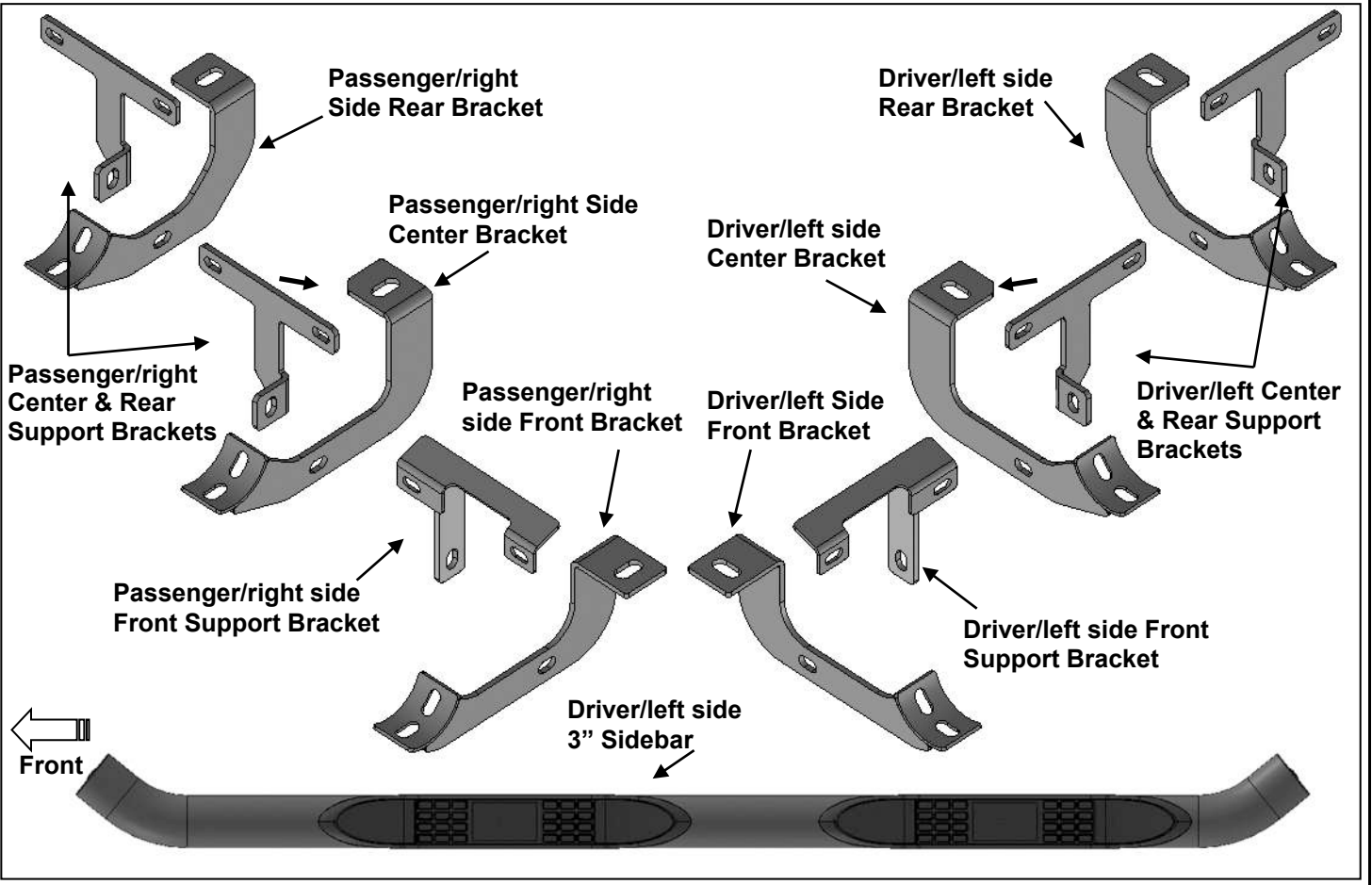
Cutting Not Required



Drilling Not Required

PARTS LIST:

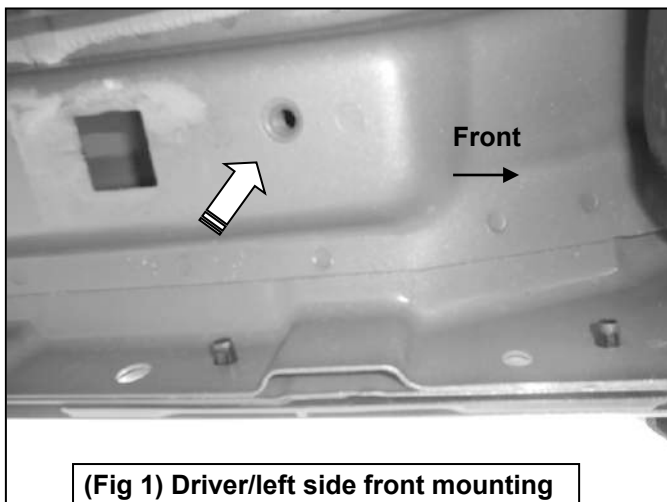
Qty	Part Description	Qty	Part Description
1	Driver/left side 3" Sidebar	2	Passenger/right side Center & Rear Support Brackets
1	Passenger/right side 3" Sidebar	6	10-1.5mm x 30mm Hex Bolts
1	Driver/left side Front Mounting Bracket	12	10mm x 24mm x 2mm Flat Washers
1	Passenger/right side Front Mounting Bracket	6	10-1.5mm Nylon Lock Nuts
1	Driver/left side Center Mounting Bracket	12	8-1.25mm Combo Bolts
1	Passenger/right side Center Mounting Bracket	6	8-1.25mm x 35mm Hex Bolts
1	Driver/right side Rear Mounting Bracket	6	8mm x 28mm x 3mm Flat Washers
1	Passenger/right side Rear Mounting Bracket	6	8mm Lock Washers
1	Driver/left side Front Support Bracket	12	6-1.0mm x 25mm Hex Bolts
1	Passenger/right side Front Support Bracket	24	6mm x 22mm x 2mm Flat Washers



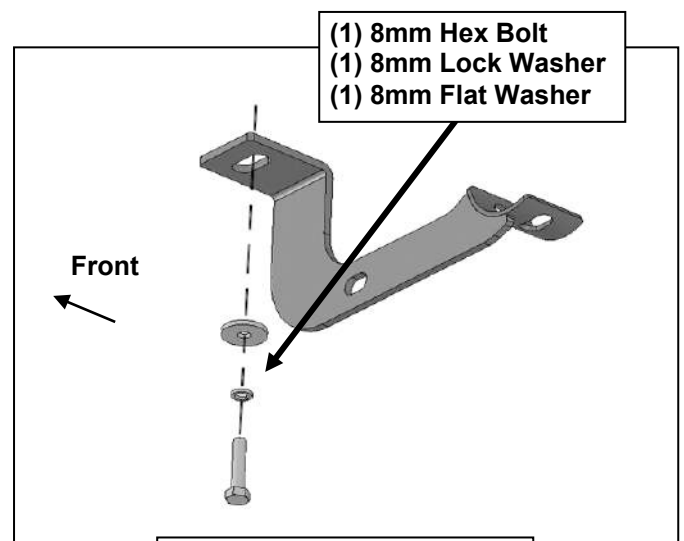
PROCEDURE:

1. REMOVE CONTENTS FROM BOX. VERIFY ALL PARTS ARE PRESENT. READ INSTRUCTIONS CAREFULLY BEFORE STARTING INSTALLATION. FACTORY INSTALLED OR AFTERMARKET "ROCK RAILS," SIDE STEPS OR RUNNING BOARDS MUST BE REMOVED.
2. Start installation toward the front of the driver side of the vehicle and find the front threaded insert located in between the first pair of holes along the pinch weld, (Figure 1).
3. Select the Driver/left side Front Mounting Bracket, (Figure 2). **IMPORTANT:** Use the illustration above and Figure 3 to properly identify the Mounting Bracket. Attach the Bracket to the threaded insert using (1) 8mm Hex Bolt, (1) 8mm Lock Washer and (1) 8mm Flat Washer, (Figure 3). Do not tighten hardware at this time.
4. Next, select the Driver/left side Front Support Bracket, (Figure 4). **IMPORTANT:** Use the illustration above to help identify the correct Support Bracket. Align the Bracket to the **back** of the pinch weld and to the **rear** side of the Front Mounting Bracket. Attach the Support Bracket to the pinch weld using (2) 6mm Hex Bolts, (4) 6 mm Flat Washers and (2) 6mm Nylon Lock Nuts, (Figures 4 & 5). **NOTE:** Insert bolts from the outside of the pinch weld and through the Bracket. Use (1) 10mm Hex Bolt, (2) 10mm Flat Washers and (1) 10mm Nylon Lock Nut to secure the Support Bracket to the Mounting Bracket, (Figures 4 & 5). Do not tighten hardware at this time.
5. Move along the body panel to the center mounting location and locate the threaded insert and pair of holes on the pinch weld, (Figure 6). Repeat Steps 3 & 4 to install the Center Brackets, (Figures 8 & 9). **NOTE:** The Center and Rear Mounting Brackets look similar but each one is unique. Notice the bottom corner trim on the Center Mounting Bracket in the illustration above and Figure 7.
6. Move to the last, rear, mounting location and locate the threaded insert and pair of holes on the pinch weld, (Figure 10). Repeat Steps 3 & 4 to install the Rear Brackets, (Figures 11 & 12). **NOTE:** The Center and Rear Mounting Brackets look similar but each one is unique. Notice the rounded corners on the Rear Mounting Bracket in the illustration above and Figure 7.
7. Select the Driver/left Sidebar. Use the illustration above to select the correct Sidebar. Carefully position the Sidebar onto the (3) Mounting Brackets. **IMPORTANT:** Do not slide, (front to back or rotate), the Sidebar on the Brackets or damage to the finish on the Sidebar may result. Attach the Sidebar to the Mounting Brackets with (6) 8mm x 25mm Combination Hex Bolts, (Figures 13—15). Do not tighten hardware. **NOTE:** Mounting cradles on Brackets should be inline and pointing toward the rear of the vehicle for proper installation. Snug all hardware but do not tighten.
8. Level and adjust the Sidebar and tighten all hardware.
9. Repeat Steps 1—8 for Passenger/right Sidebar installation.
10. Do periodic inspections to the installation to make sure that all hardware is secure and tight.

Driver/Left Side Installation Pictured

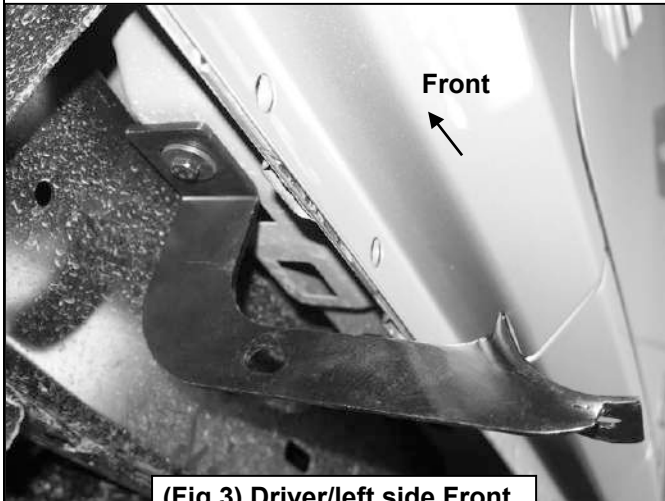


(Fig 1) Driver/left side front mounting location with threaded insert



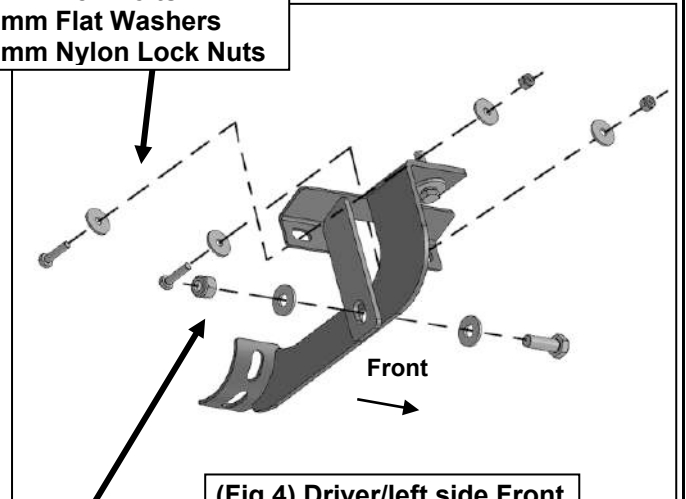
(Fig 2) Driver/left side Front Mounting Bracket

Driver/Left Side Installation Pictured

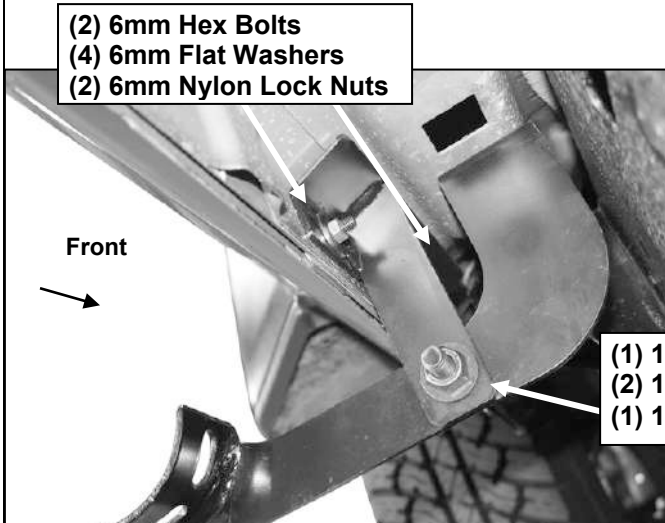


(Fig 3) Driver/left side Front Mounting Bracket installed

- (2) 6mm Hex Bolts
- (4) 6mm Flat Washers
- (2) 6mm Nylon Lock Nuts

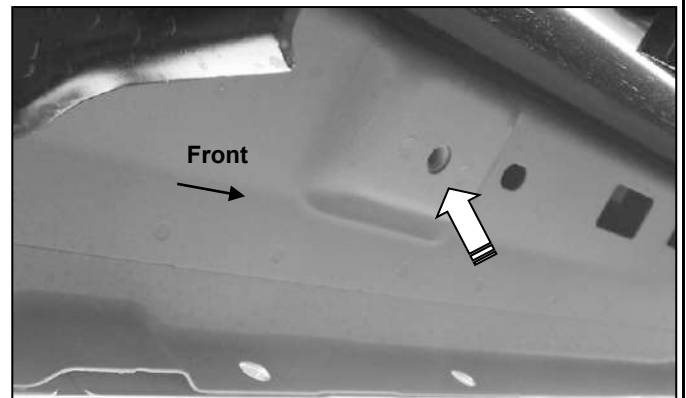


(Fig 4) Driver/left side Front Support Bracket



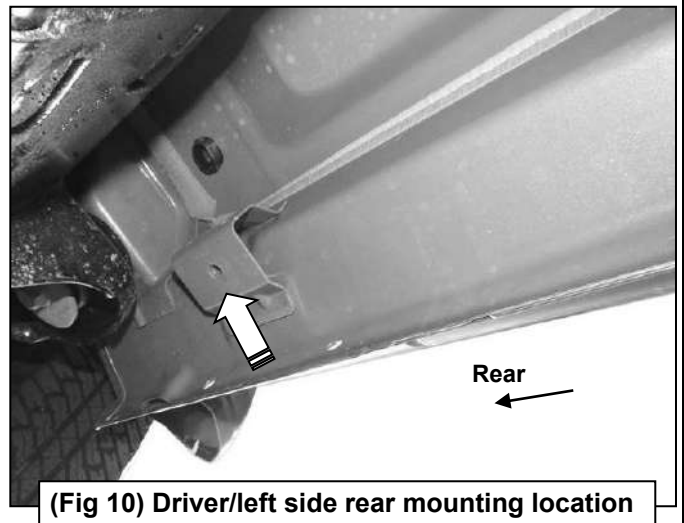
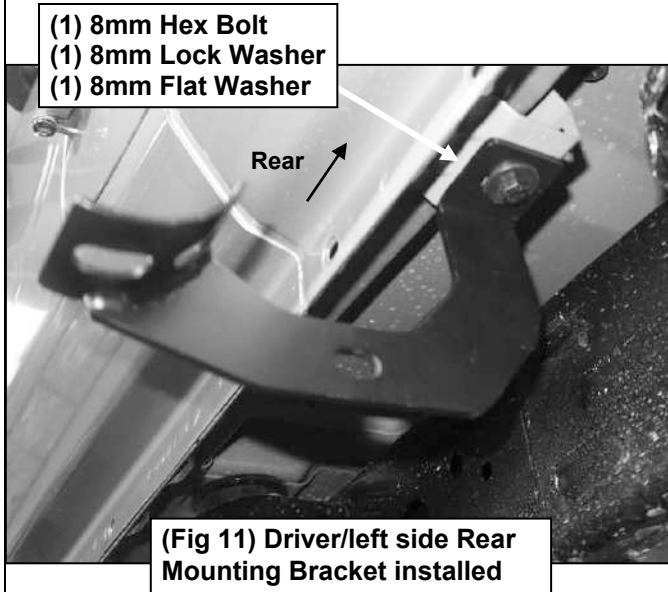
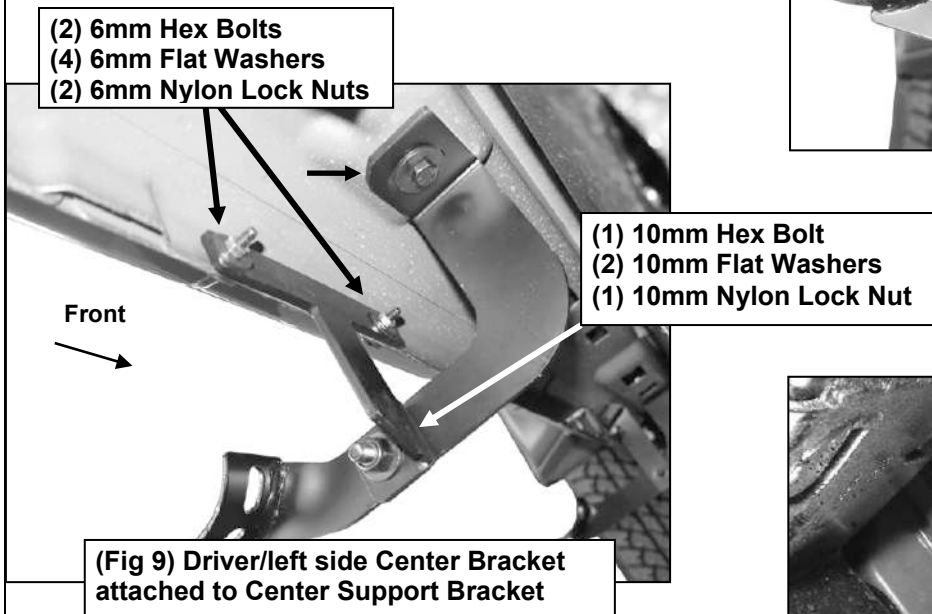
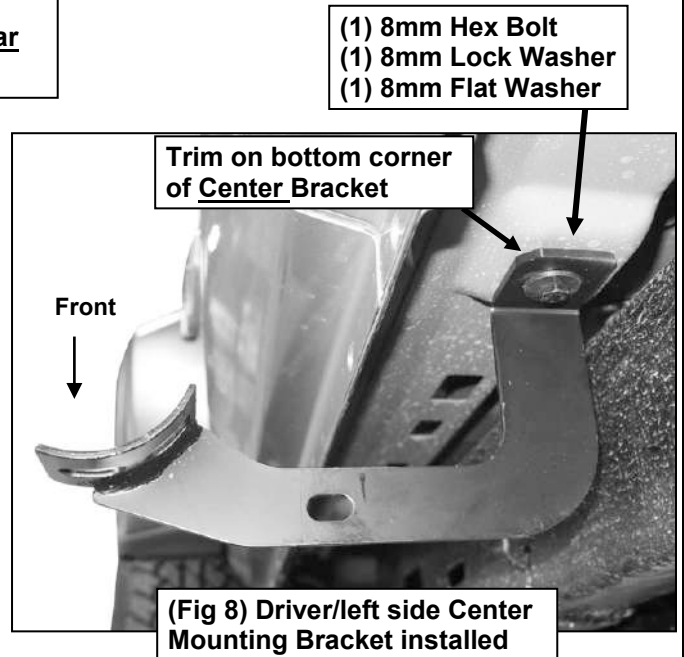
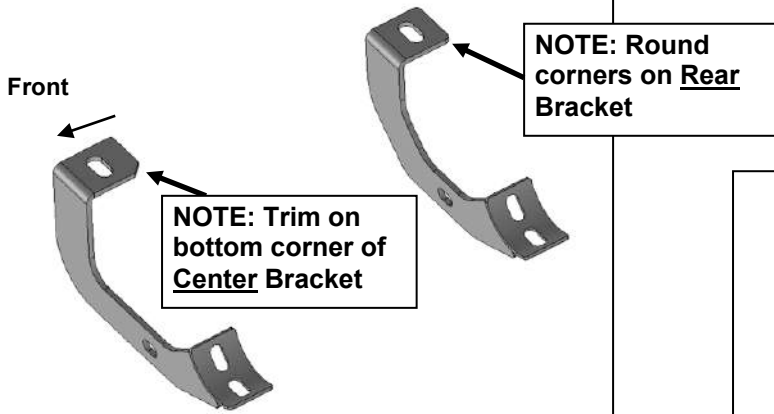
- (1) 10mm Hex Bolt
- (2) 10mm Flat Washers
- (1) 10mm Nylon Lock Nut

(Fig 5) Attach Support Bracket to back of pinch weld and to rear side of Mounting Bracket



(Fig 6) Driver/left side center mounting location

Driver/left Side Installation Pictured



Driver/left Side Installation Pictured

- (2) 6mm Hex Bolts
- (4) 6mm Flat Washers
- (2) 6mm Nylon Lock Nuts

- (1) 10mm Hex Bolt
- (2) 10mm Flat Washers
- (1) 10mm Nylon Lock Nut

Rear

(Fig 12) Driver/left side Rear Bracket attached to Rear Support Bracket

Trim on bottom corner of Center Bracket

- (2) 8mm x 25mm Combo Bolts

Front

(Fig 14) Driver/left side Center Brackets attached to Sidebar

Front

- (2) 8mm x 25mm Combo Bolts

(Fig 13) Driver/left side Front Brackets attached to Sidebar

Rear

- (2) 8mm x 25mm Combo Bolts

(Fig 15) Driver/left side Rear Brackets attached to Sidebar

Complete Installation



No.	Parts Identification
1	Passenger / Right 'Rear' Bracket marked "PR"
2	Driver / Left 'Rear' Bracket marked "DR"
3	Passenger / Right 'Center' Bracket marked "PC"
4	Driver / Left 'Center' Bracket marked "DC"
5	Passenger / Right 'Front' Bracket marked "PF"
6	Driver / Left 'Front' Bracket marked "DF"

Note:
 > This guide is to identify the parts and not a reference for part count.
 > For part count, refer Parts List.
 > Product / Bracket image is representative and actual design may vary.

PRODUCT CARE

- Periodically check the product to ensure all fasteners are tight and components are intact.
- Regular waxing is recommended to protect the finish of the product.
- **Use ONLY Non-Abrasive automotive wax.** Use of any soap, polish or wax that contains an abrasive is detrimental and can scratch the finish leading to corrosion.
- Aluminum polish may be used to polish small scratches and scuffs for **Stainless Steel finish.**
- Mild soap may be used to clean the product for both **Stainless Steel and Black finish.**

FAQ's

1. Hardware's are not of correct size.

In GMC / Chevrolet truck model 2006 & up, customer needs to reuse the factory body bolts to install the bracket. If your vehicle is not GMC / Chevrolet 2006 & up, ensure that holes are not partially covered with any plastic grommet or rust? If it is, remove the plastic grommet & rust from the thread holes & re-try the installation.

2. Mounting Bracket are not getting Installed properly.

In some cases Illustration images shown in Installation manual may not be the exactly same as per actual vehicle images ,also if Driver / Passenger side mounting brackets are very identical in the design, suggest referring Parts Identification guide to avoid fitment issue.

3. Products are thumping / rattling after installation.

Ensure that all required mounting brackets / hardware's are installed & tighten correctly. Suggest using white lithium / regular grease between the metal to metal contact surfaces.

4. Side Bar is not aligning with vehicle / Step Pads are not aligning with vehicle doors.

Side bar may be interchanged or mounting brackets are not installed at the correct position in the vehicle. Refer Parts identification guide.

5. Missing / Excess Hardware.

Recheck hardware count as per the part list.

6. Product not installing properly.

Ensure make model year, cab length and bed size of your vehicle is listed in the application. All installation steps are followed correctly.

Check out these other TrailFX Products!!



Keystone Automotive Operations Inc. (KAO) warrants this product to be free of defects in material and workmanship at the time of purchase by the original retail consumer. KAO disclaims any other warranties, express or implied, including the warranty of fitness for a particular purpose or an intended use. If the product is found to be defective, KAO may replace or repair the product at our option, when the product is returned prepaid, with proof of purchase. Alteration to, improper installation, or misuse of this product voids the warranty. KAO's liability is limited to repair or replacement of products found to be defective, and specifically excludes liability for any incidental or consequential loss or damage.