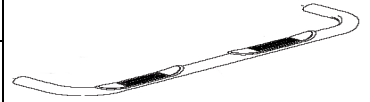


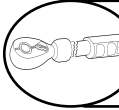


3" Side Bar

Part No. A0052S/B



Fits: 2015 - Current Ford F150 Superduty Crew Cab
2017 Ford 250 /350 /450/ 550 Super Duty Crew Cab



REMOVE CONTENTS FROM BOX. VERIFY ALL PARTS ARE PRESENT.

READ INSTRUCTIONS CAREFULLY BEFORE STARTING INSTALLATION.

DO NOT OVER TORQUE. STANDARD OPERATING LOAD FOR TIGHTEN BODY MOUNT NUTS & BOLTS VARIES FROM 45 TO 65 FOOT POUND.



60-180 min



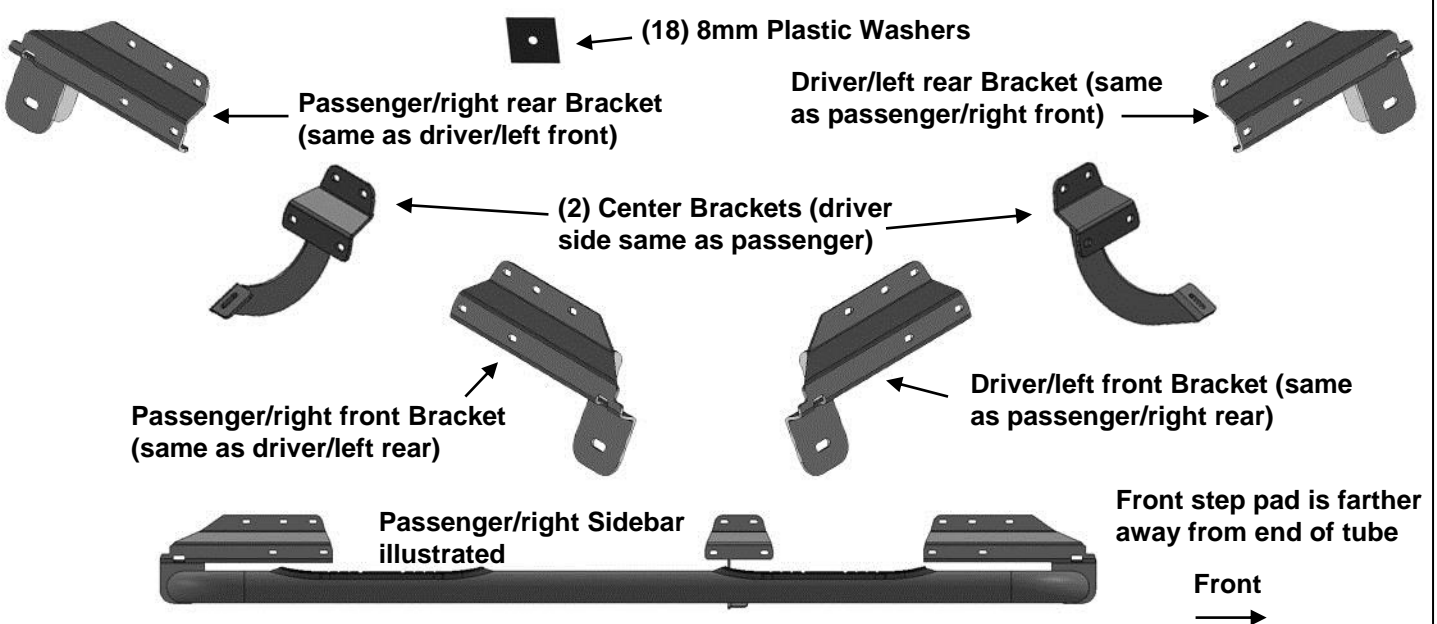
Cutting Not Required



Drilling Not Required

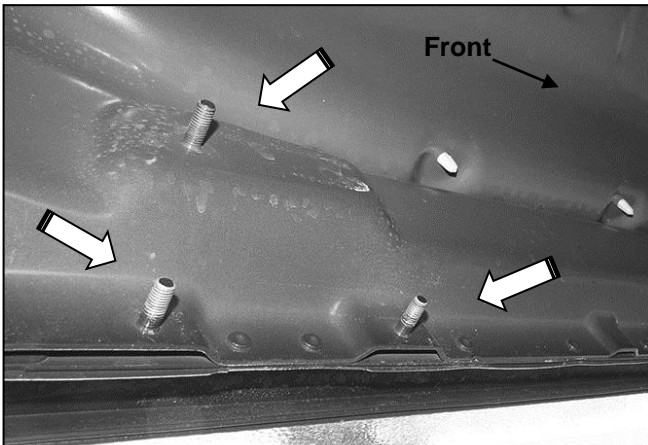
PARTS LIST:

Qty	Part Description	Qty	Part Description
1	Driver/left Sidebar	4	1/2" x 2" Hex Bolts
1	Passenger/right Sidebar	4	1/2" x 1-1/4" OD x 3/32" Flat Washers
2	Driver/left front-passenger/right rear Brackets	4	1/2" Lock Washers
2	Passenger/right front-driver/left rear Brackets	2	8-1.25mm x 25mm Hex Bolts
2	Center Brackets (use for driver or passenger side)	20	8mm x 24mm OD x 2mm Washers
18	8mm Plastic Washers	2	8mm Lock Washers
		18	8-1.25mm Nylon Lock Nuts



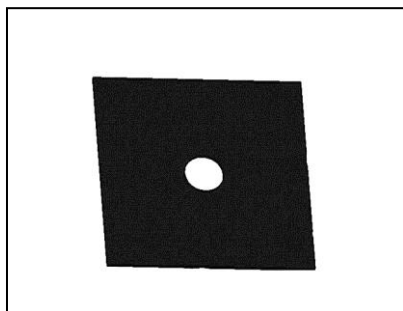
INSTALLATION PROCEDURE:

1. Start the installation under the driver side of the vehicle. Locate the front, center and rear factory running board mounting locations along the inner side of the body, **(Figure 1)**.

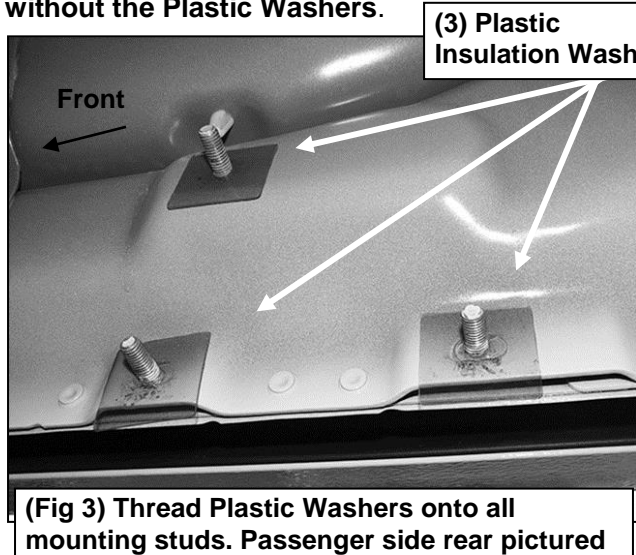


(Fig 1) Locate the (3) factory threaded studs at each location. Driver side rear pictured

2. Slide (1) Plastic Washer over each factory mounting stud in the body panel, **(Figures 2 & 3)**. **IMPORTANT:** The Plastic Washers are designed to prevent corrosion between the aluminum body panel and the steel mounting brackets. **Do not install the Brackets without the Plastic Washers.**

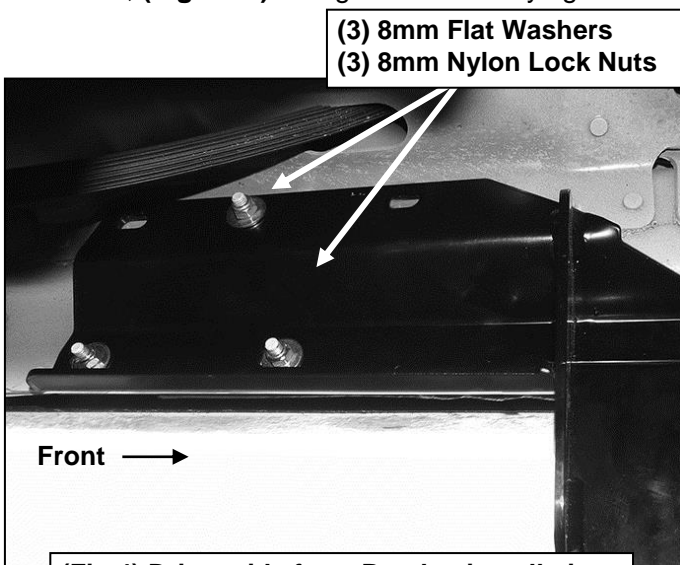


(Fig 2) Plastic Insulation Washer

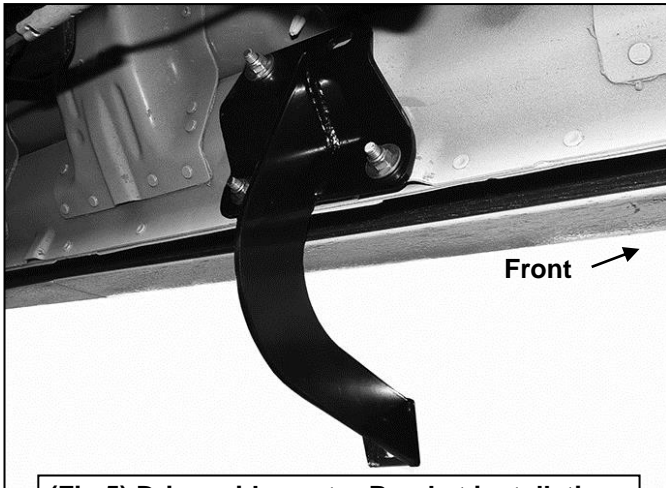


(Fig 3) Thread Plastic Washers onto all mounting studs. Passenger side rear pictured

3. Select (1) driver side front Mounting Bracket. **NOTE:** Same bracket is used for the passenger side rear installation. Attach the Mounting Bracket to the (3) factory studs with (3) 8mm Flat Washers and (3) 8mm Nylon Lock Nuts, **(Figure 4)**. Snug but do not fully tighten the hardware.

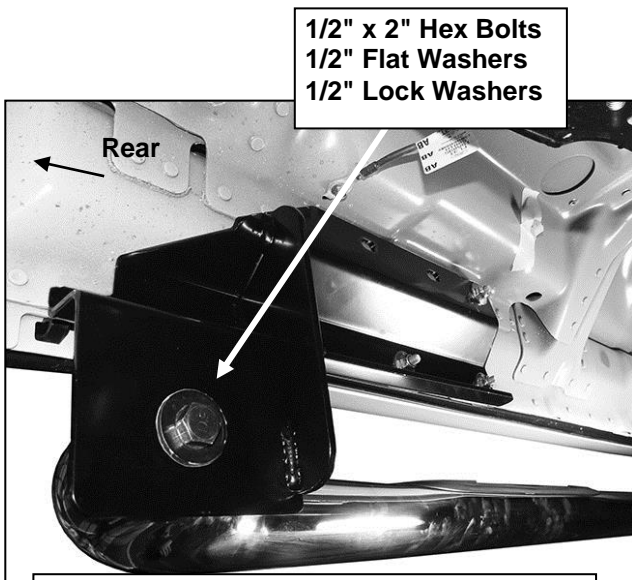


4. Select (1) Center Bracket. Repeat **Steps 1—3** to install the driver side center Bracket, (**Figure 5**). **NOTE:** Center Bracket is the same, driver side and passenger side.



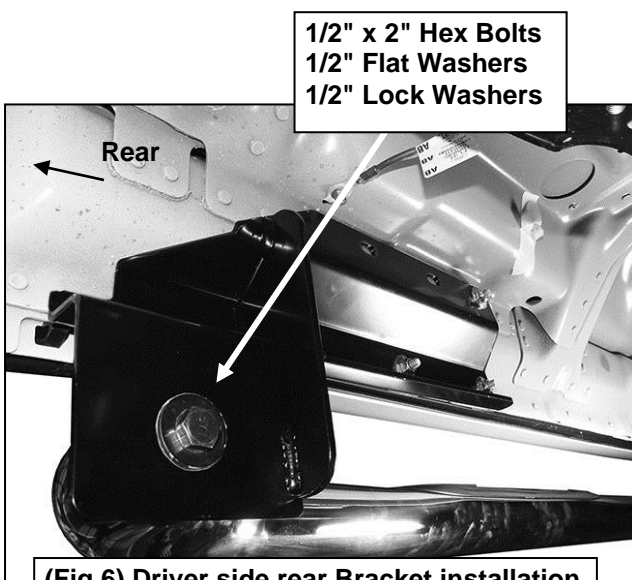
(Fig 5) Driver side center Bracket installation

5. Repeat **Steps 1—3** to install the driver side rear Bracket, (**Figure 6**). **NOTE:** Same Bracket is used for the passenger side front installation.



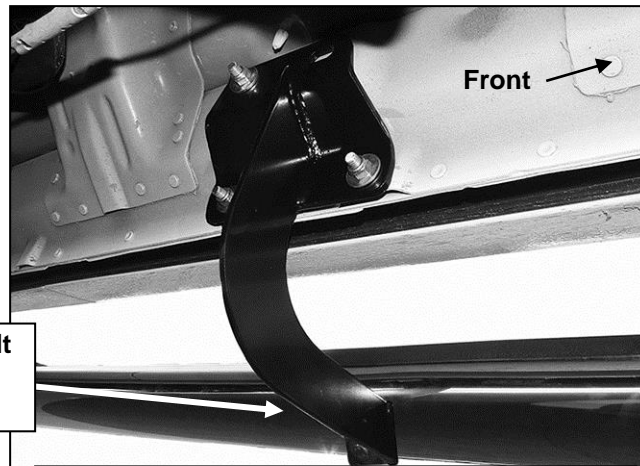
(Fig 6) Driver side rear Bracket installation

6. Select the driver/left Sidebar. With assistance, position the Sidebar up to the front and rear Mounting Brackets. Attach the Sidebar to the Mounting Brackets with the included (2) 1/2" x 2" Hex Bolts, (2) 1/2" Lock Washers, and (2) 1/2" Flat Washers, (**Figure 6**). Leave hardware loose at this time.



(Fig 6) Driver side rear Bracket installation

7. Line up the threaded insert in the bottom of the Sidebar with the center Bracket. Attach the Sidebar to the Bracket with (1) 8mm x 25mm Hex Bolt, (1) 8mm Lock Washer and (1) 8mm Flat Washer, **(Figure 7)**. Leave hardware loose at this time.



8mm x 25mm Hex Bolt
8mm Lock Washer
8mm Flat Washer

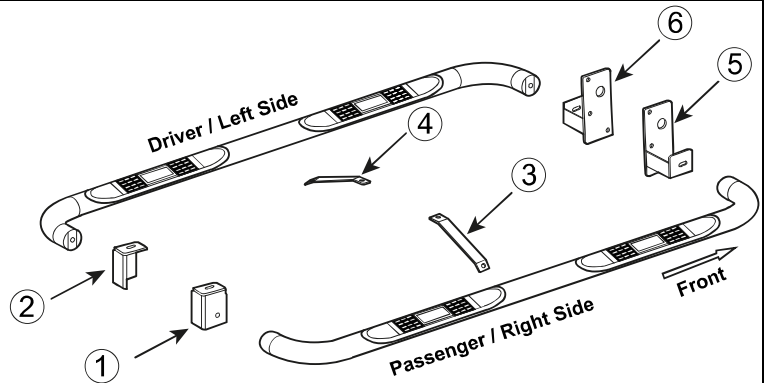
(Fig 7) Driver side center Bracket installation

8. Level and adjust the Sidebar and tighten all hardware.
9. Repeat **Steps 1—8** to install the passenger/right Sidebar.
10. Do periodic inspections to the installation to make sure that all hardware is secure and tight.

PARTS IDENTIFICATION GUIDE

Driver Side tube packed using "Green" color foam sheet. Passenger Side tube packed using "White" color foam sheet

No.	Parts Identification
1	Passenger / Right 'Rear' Bracket marked "PR"
2	Driver / Left 'Rear' Bracket marked "DR"
3	Passenger / Right 'Center' Bracket marked "PC"
4	Driver / Left 'Center' Bracket marked "DC"
5	Passenger / Right 'Front' Bracket marked "PF"
6	Driver / Left 'Front' Bracket marked "DF"



Note:

- > This guide is to identify the parts and not a reference for part count.
- > For part count, refer Parts List.
- > Product / Bracket image is representative and actual design may vary.

PRODUCT CARE

- Periodically check the product to ensure all fasteners are tight and components are intact.
- Regular waxing is recommended to protect the finish of the product.
- **Use ONLY Non-Abrasive automotive wax.** Use of any soap, polish or wax that contains an abrasive is detrimental and can scratch the finish leading to corrosion.
- Aluminum polish may be used to polish small scratches and scuffs for **Stainless Steel finish.**
- Mild soap may be used to clean the product for both **Stainless Steel and Black finish.**

FAQ's

1. Hardware's are not of correct size.

In GMC / Chevrolet truck model 2006 & up, customer needs to reuse the factory body bolts to install the bracket. If your vehicle is not GMC / Chevrolet 2006 & up, ensure that holes are not partially covered with any plastic grommet or rust? If it is, remove the plastic grommet & rust from the thread holes & re-try the installation.

2. Mounting Bracket are not getting Installed properly.

In some cases Illustration images shown in Installation manual may not be the exactly same as per actual vehicle images, also if Driver / Passenger side mounting brackets are very identical in the design, suggest referring Parts Identification guide to avoid fitment issue.

3. Products are thumping / rattling after installation.

Ensure that all required mounting brackets / hardware's are installed & tighten correctly. Suggest using white lithium / regular grease between the metal to metal contact surfaces.

4. Side Bar is not aligning with vehicle / Step Pads are not aligning with vehicle doors.

Side bar may be interchanged or mounting brackets are not installed at the correct position in the vehicle. Refer Parts identification guide.

5. Missing / Excess Hardware.

Recheck hardware count as per the part list.

6. Product not installing properly.

Ensure make model year, cab length and bed size of your vehicle is listed in the application. All installation steps are followed correctly.

Check out these other TrailFX Products!!



BULL BAR



GRILLE GUARDS



BED RAILS



RUNNING BOARDS

Keystone Automotive Operations Inc. (KAO) warrants this product to be free of defects in material and workmanship at the time of purchase by the original retail consumer. KAO disclaims any other warranties, express or implied, including the warranty of fitness for a particular purpose or an intended use. If the product is found to be defective, KAO may replace or repair the product at our option, when the product is returned prepaid, with proof of purchase. Alteration to, improper installation, or misuse of this product voids the warranty. KAO's liability is limited to repair or replacement of products found to be defective, and specifically excludes liability for any incidental or consequential loss or damage.