



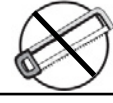
3" Side Bar

Part No. A0004B/S



Fits: 2014 – Current
2010 – Current

Toyota 4Runner SR5
Toyota 4 Runner Trail Edition



60-180 min

Cutting Not Required

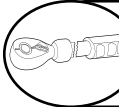
Drilling Not Required



REMOVE CONTENTS FROM BOX. VERIFY ALL PARTS ARE PRESENT.



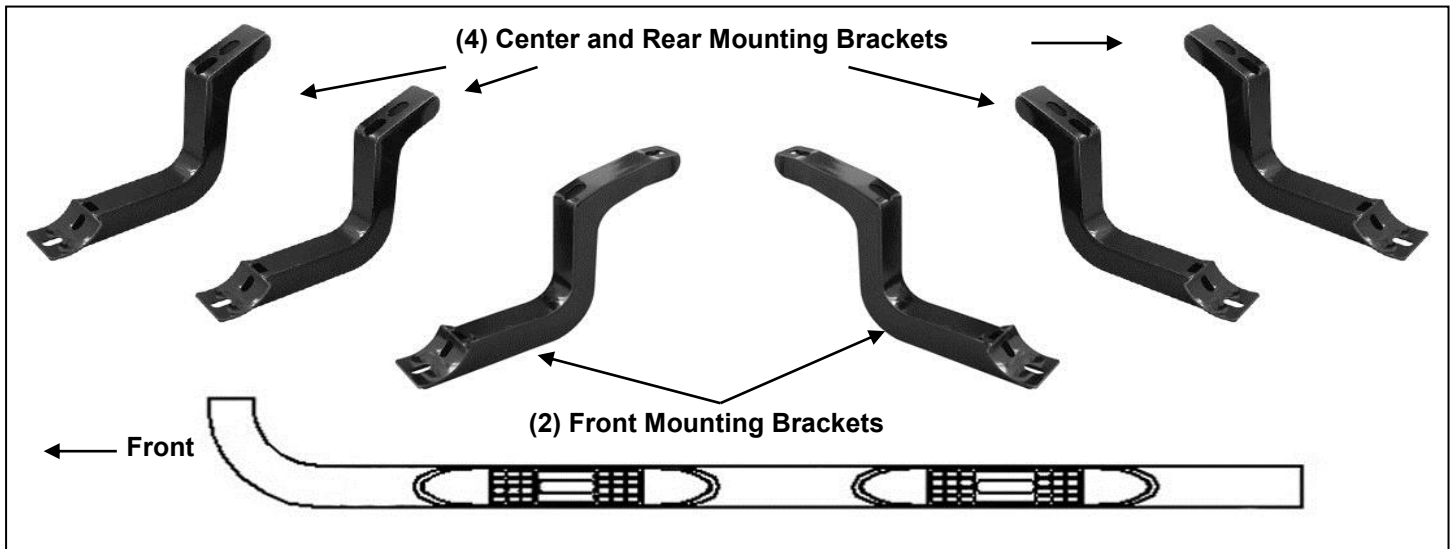
READ INSTRUCTIONS CAREFULLY BEFORE STARTING INSTALLATION.



DO NOT OVER TORQUE. STANDARD OPERATING LOAD FOR TIGHTEN BODY MOUNT NUTS & BOLTS VARIES FROM 45 TO 65 FOOT POUND.

PARTS LIST:

Qty	Part Description	Qty	Part Description
1	Driver/Left Sidebar	24	8-1.25mm x 30mm Hex Bolts
1	Passenger/Right Sidebar	24	8mm Lock Washers
2	Front Mounting Brackets	24	8mm x 22mm OD x 2mm Flat Washers
4	Center & Rear Mounting Brackets		

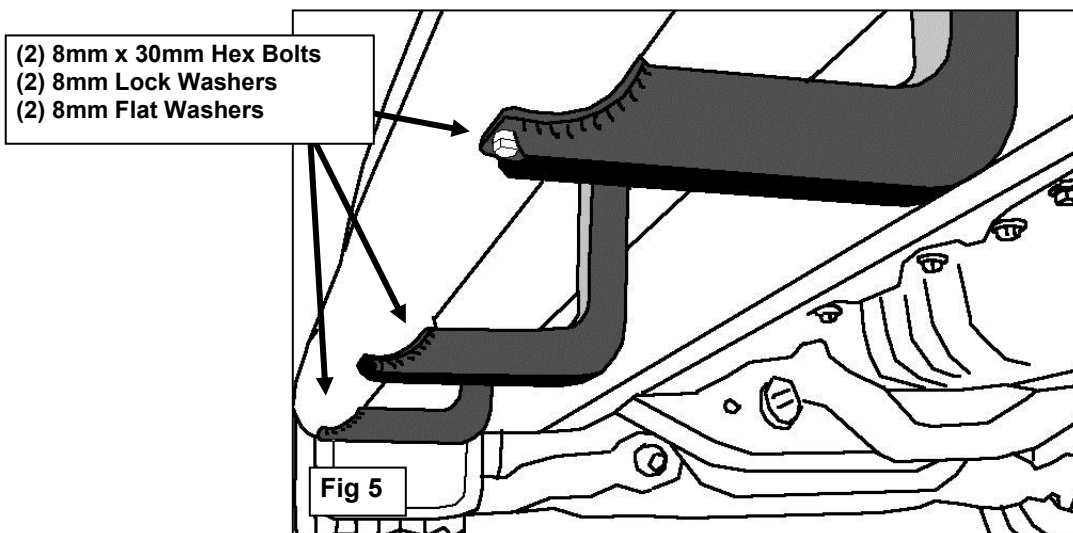
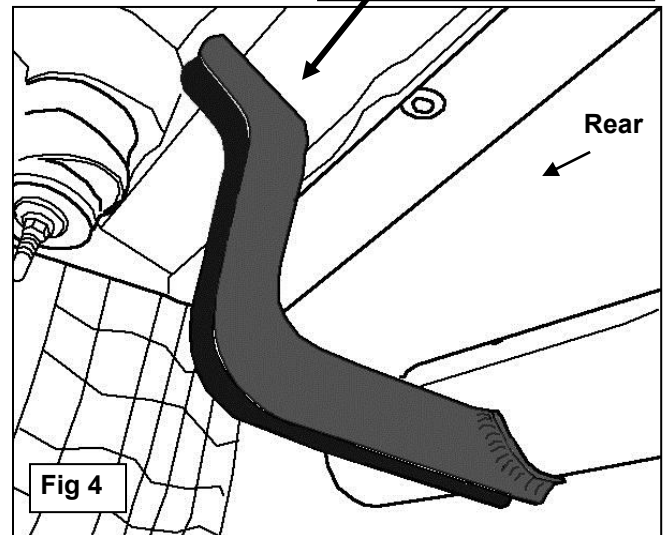
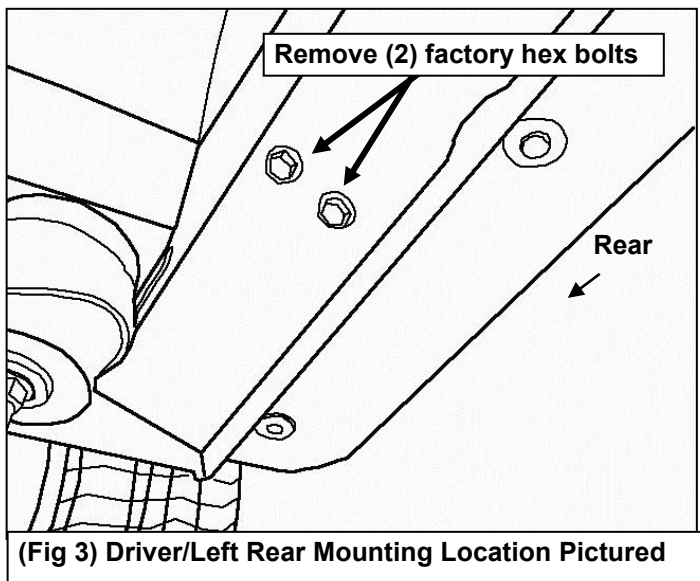
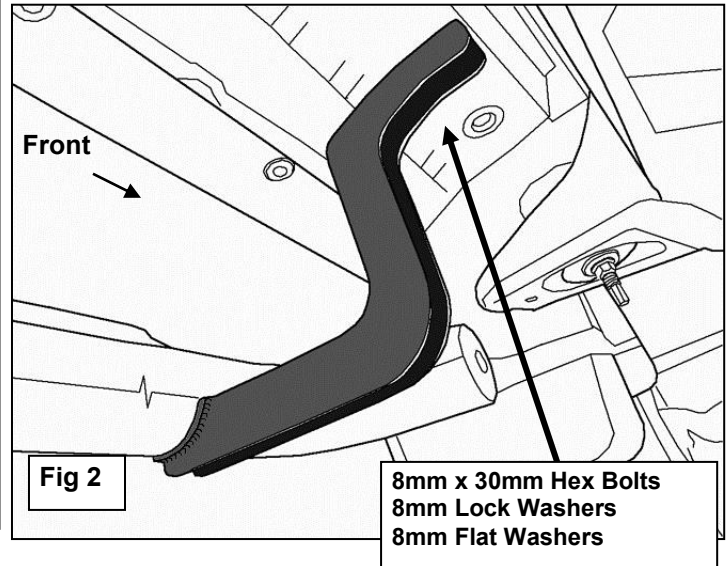
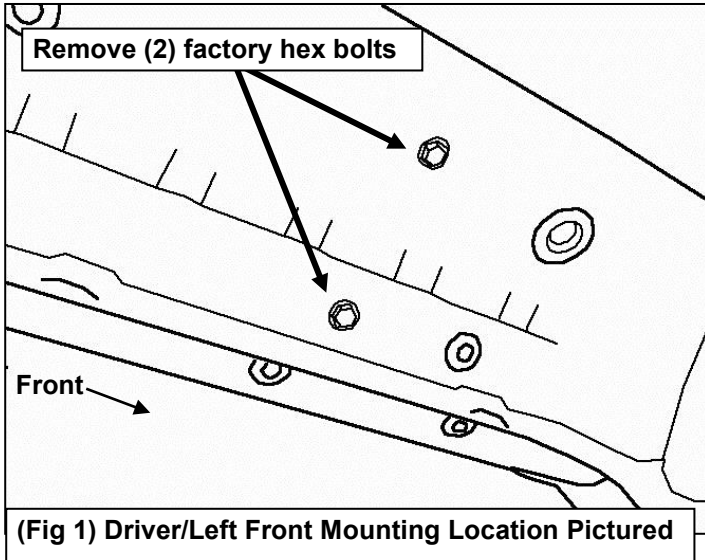


INSTALLATION PROCEDURE

- Starting on the driver side front of the vehicle, remove the (2) factory hex bolts or plastic plugs from the threaded holes in the bottom of the body panel, **(Figure 1)**. Select (1) Front Mounting Bracket. Line up the mounting holes in the Bracket with the threaded holes. Bolt the Mounting Bracket to the vehicle using the included (2) 8mm x 30mm Hex Bolts, (2) 8mm Lock Washers and (2) 8mm Flat Washers, **(Figure 2)**. Do not tighten hardware at this time.
- Repeat **Step 1** for Center and Rear Bracket installation, **(Figures 3 & 4)**.
- With assistance, carefully place the Driver/Left Sidebar onto the (3) Brackets. **WARNING:** Do not rotate the Sidebar on the cradle or the finish on the Sidebar may be damaged. Line up the threaded holes in the bottom of the Sidebar with the slots in the Mounting Brackets. Attach the Sidebar to the Mounting Brackets with the included (6) 8mm x 30mm Hex Bolts, (6) 8mm Lock Washers and (6) 8mm Flat Washers, **(Figure 5)**. Do not tighten at this time.

4. Level and adjust the Sidebar properly and tighten all hardware.
5. Repeat **Steps 1 – 4** for passenger Sidebar installation.
6. Do periodic inspections to the installation to make sure that all hardware is secure and tight.

Driver Side Installation Pictured



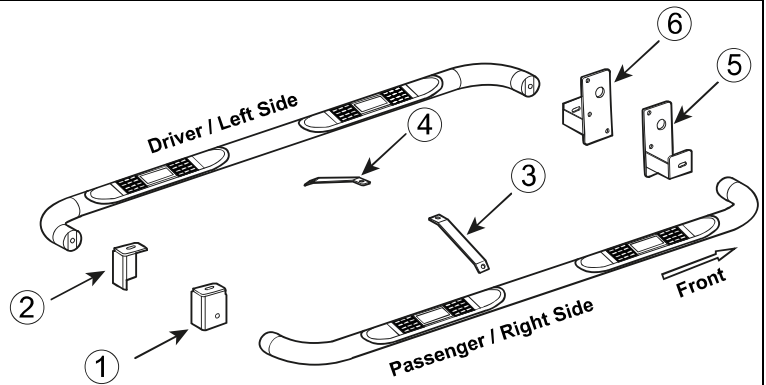
PARTS IDENTIFICATION GUIDE

Driver Side tube packed using "Green" color foam sheet. Passenger Side tube packed using "White" color foam sheet

No.	Parts Identification
1	Passenger / Right 'Rear' Bracket marked "PR"
2	Driver / Left 'Rear' Bracket marked "DR"
3	Passenger / Right 'Center' Bracket marked "PC"
4	Driver / Left 'Center' Bracket marked "DC"
5	Passenger / Right 'Front' Bracket marked "PF"
6	Driver / Left 'Front' Bracket marked "DF"

Note:

- This guide is to identify the parts and not a reference for part count.
- For part count, refer Parts List.
- Product / Bracket image is representative and actual design may vary.



PRODUCT CARE

- Periodically check the product to ensure all fasteners are tight and components are intact.
- Regular waxing is recommended to protect the finish of the product.
- **Use ONLY Non-Abrasive automotive wax.** Use of any soap, polish or wax that contains an abrasive is detrimental and can scratch the finish leading to corrosion.
- Aluminum polish may be used to polish small scratches and scuffs for **Stainless Steel finish.**
- Mild soap may be used to clean the product for both **Stainless Steel and Black finish.**

FAQ's

1. Hardware's are not of correct size.

In GMC / Chevrolet truck model 2006 & up, customer needs to reuse the factory body bolts to install the bracket. If your vehicle is not GMC / Chevrolet 2006 & up, ensure that holes are not partially covered with any plastic grommet or rust? If it is, remove the plastic grommet & rust from the thread holes & re-try the installation.

2. Mounting Bracket are not getting Installed properly.

In some cases Illustration images shown in Installation manual may not be the exactly same as per actual vehicle images ,also if Driver / Passenger side mounting brackets are very identical in the design, suggest referring Parts Identification guide to avoid fitment issue.

3. Products are thumping / rattling after installation.

Ensure that all required mounting brackets / hardware's are installed & tighten correctly. Suggest using white lithium / regular grease between the metal to metal contact surfaces.

4. Side Bar is not aligning with vehicle / Step Pads are not aligning with vehicle doors.

Side bar may be interchanged or mounting brackets are not installed at the correct position in the vehicle. Refer Parts identification guide.

5. Missing / Excess Hardware.

Recheck hardware count as per the part list.

6. Product not installing properly.

Ensure make model year, cab length and bed size of your vehicle is listed in the application. All installation steps are followed correctly.