



Tape On Style Window Vents



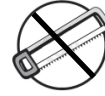
Part Numbers: 8714H 2019 - up Silverado / Sierra regular cab 1500/2500/3500



PUTTY KNIFE MAY BE NEEDED FOR SPECIFIC APPLICATIONS.



30-60 min



CUTTING NOT
REQUIRED



DRILLING NOT
REQUIRED



REMOVE CONTENTS FROM BOX. VERIFY ALL PARTS ARE PRESENT.



READ INSTRUCTIONS CAREFULLY BEFORE STARTING INSTALLATION.



Important Safety Information



- **CAUTION** - Before driving, ensure that the wind deflector is properly secured to vehicle.
- Do not use automatic "brush-style" car washes.
- Do not use cleaning solvents of any kind.
- Periodically check all components for tightness.

Contents - 2 Piece Set

NOTE: Actual product may vary from illustration.



Front Driver
Side Visor



Front Passenger
Side Visor

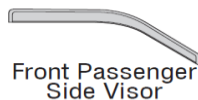


Alcohol
Pad x2

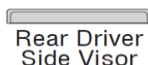
Contents - 4 Piece Set



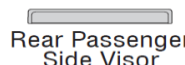
Front Driver
Side Visor



Front Passenger
Side Visor



Rear Driver
Side Visor



Rear Passenger
Side Visor



Alcohol
Pad x4

Tools Required



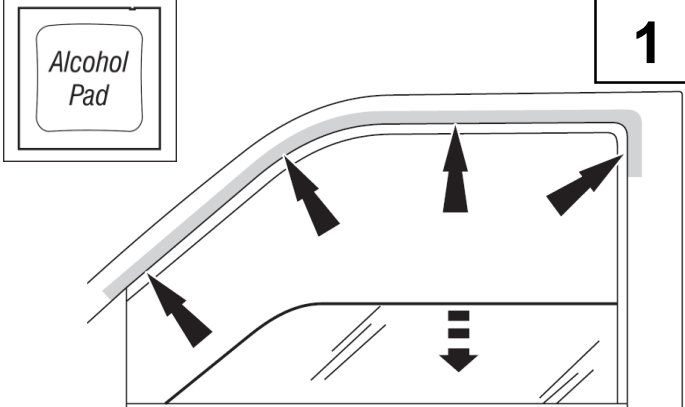
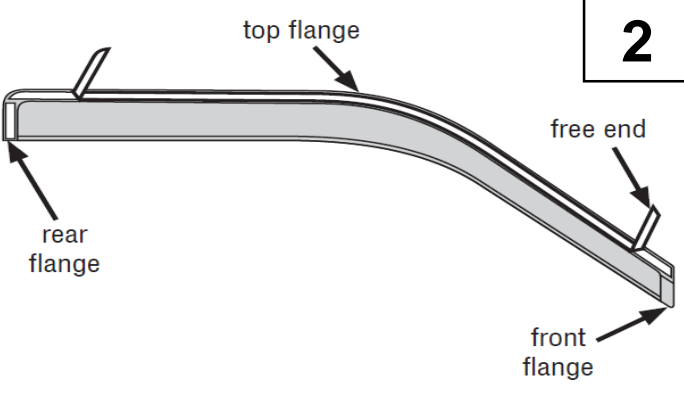
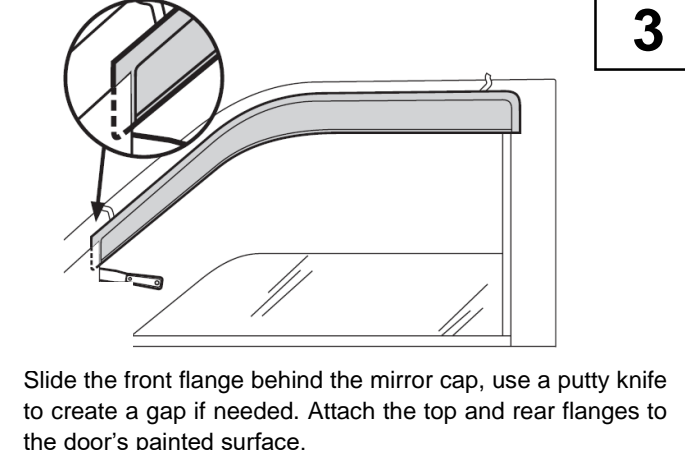
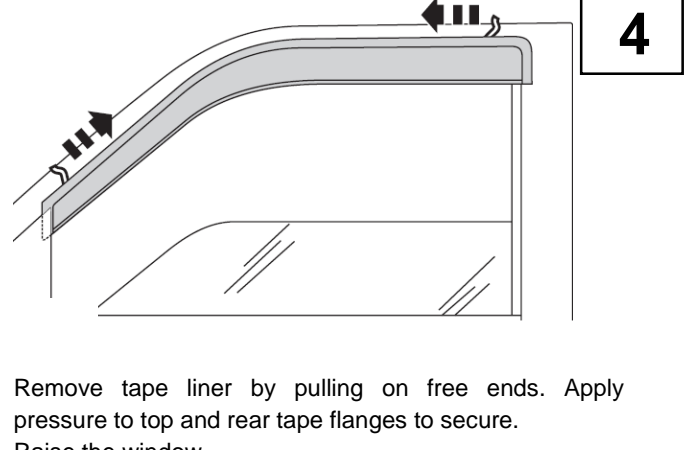
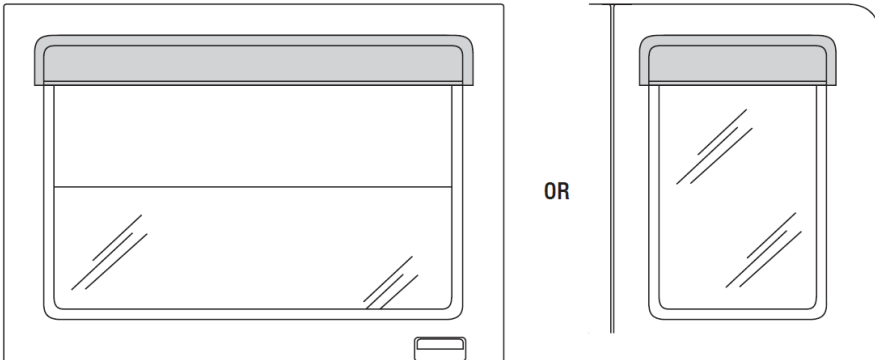
Putty Knife

Preparation Before Painting / Installation

- A trial fit is recommended to ensure proper positioning and fit.
- Check fit of parts before painting as we will not accept the return of modified or painted parts.
- Wash your vehicle to remove any debris and/or dirt.
- Dry with a clean towel.

INSTALLATION STEPS

NOTE: Actual application may vary slightly from illustrations.

<p>1</p>  <p>Alcohol Pad</p> <p>Lower the window. Clean the door's painted surface where the visor will attach.</p>	<p>2</p>  <p>top flange rear flange free end front flange</p> <p>Remove the tape liner from the rear flange. Peel back 2" of tape liner from each end of top flange.</p>
<p>3</p>  <p>Slide the front flange behind the mirror cap, use a putty knife to create a gap if needed. Attach the top and rear flanges to the door's painted surface.</p>	<p>4</p>  <p>Remove tape liner by pulling on free ends. Apply pressure to top and rear tape flanges to secure. Raise the window.</p>
<p>4 Piece Set</p> <p>5</p>  <p>OR</p> <p>The rear visor attaches with same preparation methods as the front visor. Attach visor to the vehicle's painted surface.</p>	

PRODUCT CARE

- Periodically check the product to ensure all fasteners are tight and components are intact.

FAQ's

1. Mounting Bracket are not getting Installed properly.

In some cases Illustration images shown in Installation manual may not be the exactly same as per actual vehicle images ,also if Driver / Passenger side mounting brackets are very identical in the design, suggest referring Parts Identification guide to avoid fitment issue.

2. Products are thumping / rattling after installation.

Please ensure that all required mounting brackets / hardware's are installed & tighten correctly. Suggest using white lithium / regular grease between the metal to metal contact surfaces.

3. Missing / Excess Hardware.

Recheck hardware count as per the part list.

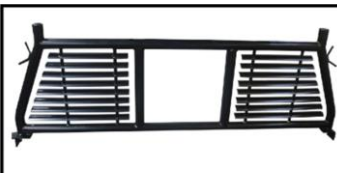
4. Product not installing properly.

Ensure make model year, cab length and bed size of your vehicle is listed in the application. All installation steps are followed correctly.

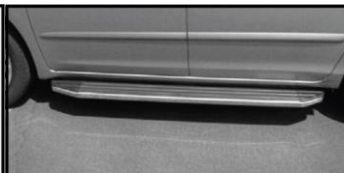
Check out these other TrailFX Products!!



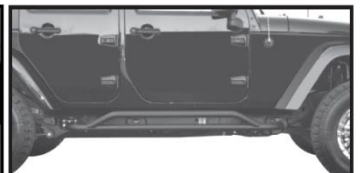
SIDE BAR



HEADACHE RACKS



RUNNING BOARDS



ROCKER GUARDS

Discover other rain guards and wind deflectors on our website.