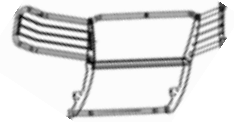




Grille Guard

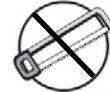
Part No. 81190/1



Fits: **2007-2012** Chevrolet Avalanche 1500
2007-Current Chevrolet Suburban 1500
2007- Current Tahoe 1500



60-180 min



CUTTING NOT REQUIRED



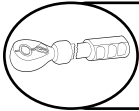
DRILLING NOT REQUIRED



REMOVE CONTENTS FROM BOX. VERIFY ALL PARTS ARE PRESENT.



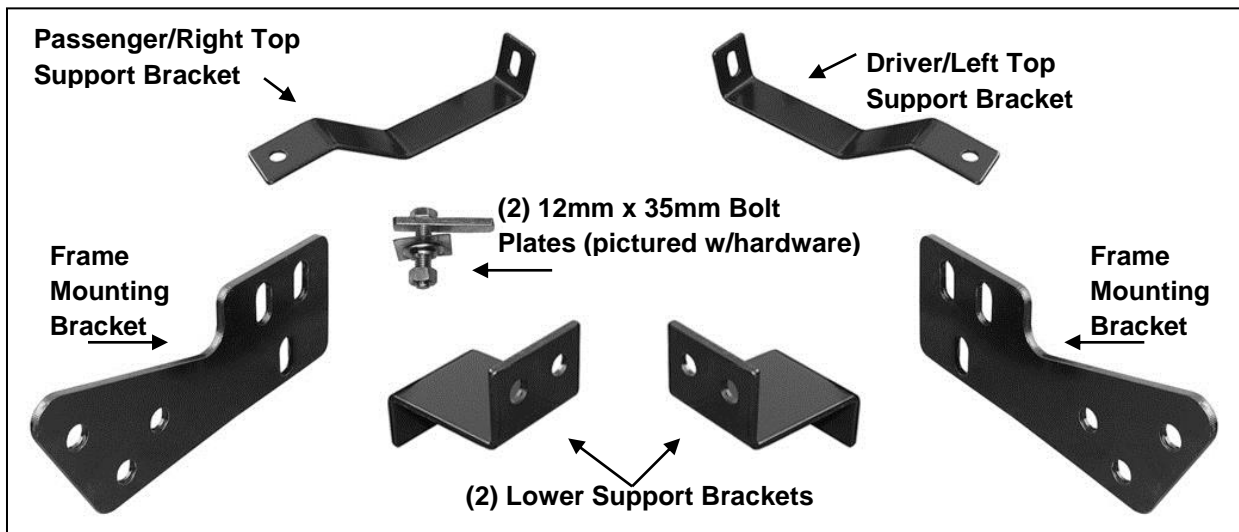
READ INSTRUCTIONS CAREFULLY BEFORE STARTING INSTALLATION.



DO NOT OVER TORQUE. STANDARD OPERATING LOAD FOR TIGHTEN BODY MOUNT NUTS & BOLTS VARIES FROM 45 TO 65 FOOT POUND.

PARTS LIST:

Qty	Part Description	Qty	Part Description
1	Grille Guard	4	12mm x 44mm OD x 3mm Flat Washers
1	Driver/Left Frame Mounting Bracket	12	12mm x 32mm OD x 3mm Flat Washers
1	Passenger/Right Frame Mounting Bracket	4	12mm Lock Washers
1	Driver/Left 04-05 Top Support Bracket	6	12mm Nylon Lock Nuts
1	Passenger/Right 04-05 Top Support Bracket	2	10-1.5mm x 40mm Hex Bolts
1	Driver/Left Frame 06-08 Top Mounting Bracket	2	10-1.5mm x 30mm Button Head Bolts
1	Passenger/Right 06-08 Top Mounting Bracket	4	10mm x 30mm OD x 2.5mm Large Flat Washers
1	Driver/Left 06-08 Tall Top Support Bracket	2	10mm x 20mm OD x 2mm Small Flat Washers
1	Passenger/Right 06-08 Tall Top Support Bracket	2	10mm Lock Washers
2	12mm Double Nut Plates	2	10mm Nylon Lock Nuts
6	12-1.75mm x 40mm Hex Bolts	1	Wrench
4	12-1.75mm x 30mm Hex Bolts		

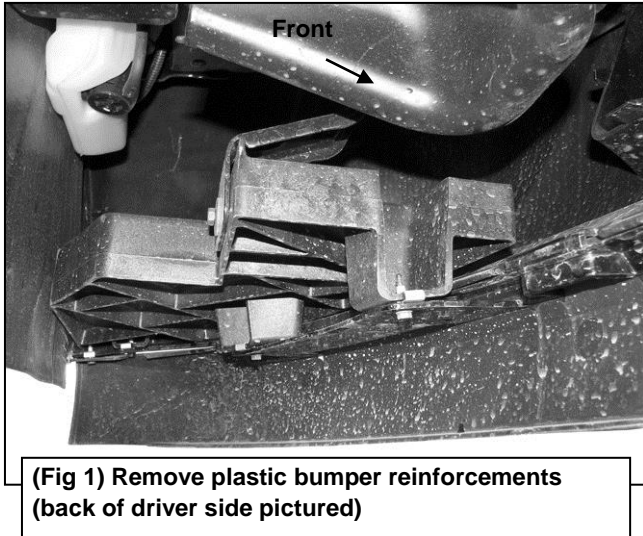


INSTALLATION PROCEDURE

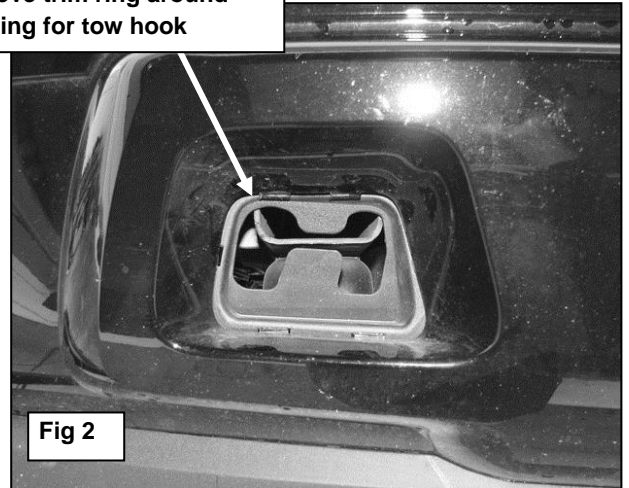
NOTE: It may be necessary to remove/relocate front license plate and license plate bracket. It is not required, but strongly recommended. If local/state law requires a license plate, a license plate relocation kit is available.

1. Start installation from under the front of the vehicle. Remove the plastic lower bumper reinforcements behind the outer ends of the bumper cover, **(Figure 1)**. Next, remove the factory tow hooks and trim rings if equipped, **(Figures 2 & 3)**.

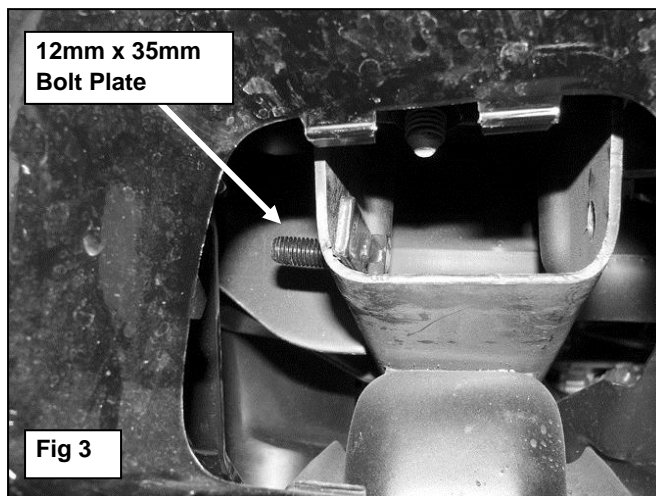
NOTE: This Grille Guard is not compatible with factory tow hooks.



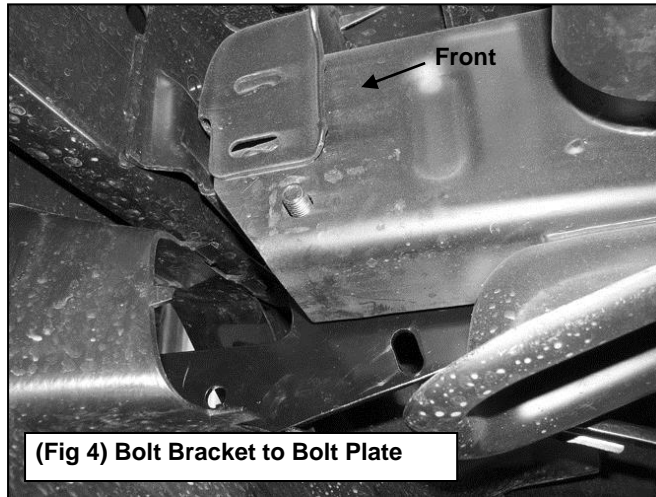
Remove trim ring around opening for tow hook



2. Locate the (3) holes in the forward end of the frame channel. Insert (1) Bolt Plate into the open end of the frame channel and out the rearmost hole in the side of the frame, **(Figure 3)**. Thread (1) 12mm Plastic Retainer Washer onto the threaded end of the Bolt Plate to help hold the Bolt Plate in position during Bracket installation.
 - a. On the passenger side, the Bolt Plate will install through the outer wall of the frame rail.
 - b. On the driver side, the Bolt Plate will install through the inner wall of the frame, **(Figures 5A & 5B)**.



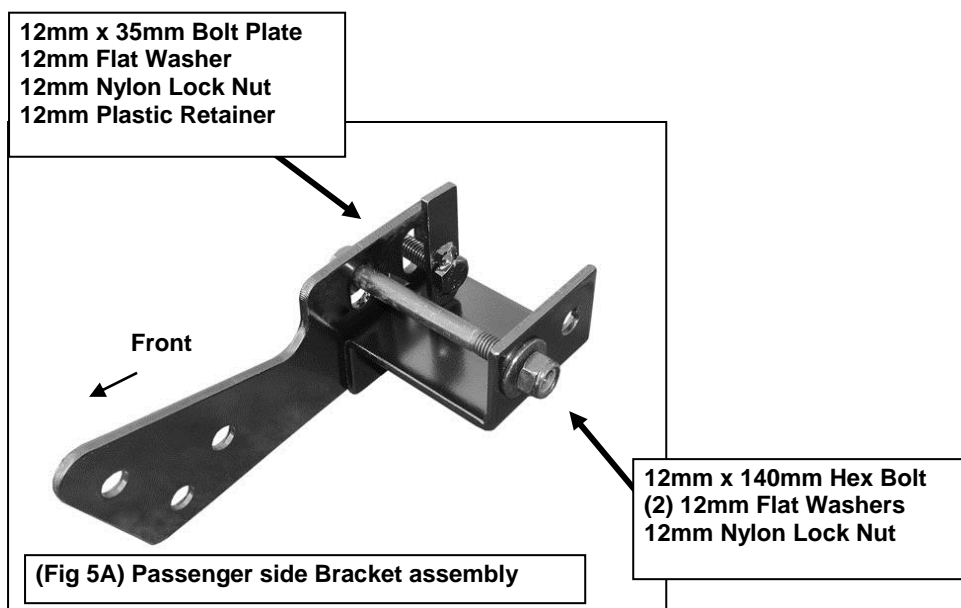
3. Insert (1) Mounting Bracket up from behind the passenger side of the bumper and out through the opening. Determine if the plastic trim rings need to be cut to clear the Mounting Brackets. Repeat this Step for driver side Bracket fitment.
 - a. **On vehicles without tow hooks:** The bumper may have plastic fill covers completely blocking the openings in the bumper or an indented area only and no opening. Cut slots to clear the flat Mounting Brackets. Reinstall the fill covers if removed.
 - b. **On vehicles with tow hooks:** The bumper may have plastic trim around the tow hooks, **(Figure 2)**. Cut as required to clear the Mounting Brackets or do not reinstall.
4. Position the passenger side Bracket onto the outside of the frame channel over the Bolt Plate, **(Step 4)**. Loosely attach the Bracket to the Bolt Plate using the included (1) 12mm Flat Washer and (1) 12mm Nylon Lock Nut. Hold the Bracket in place and line up the mounting holes on the frame with the remaining hole in the bracket.



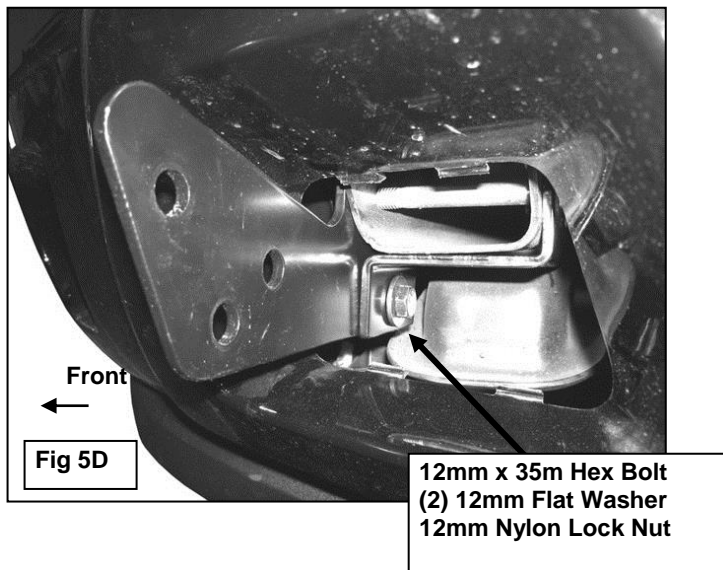
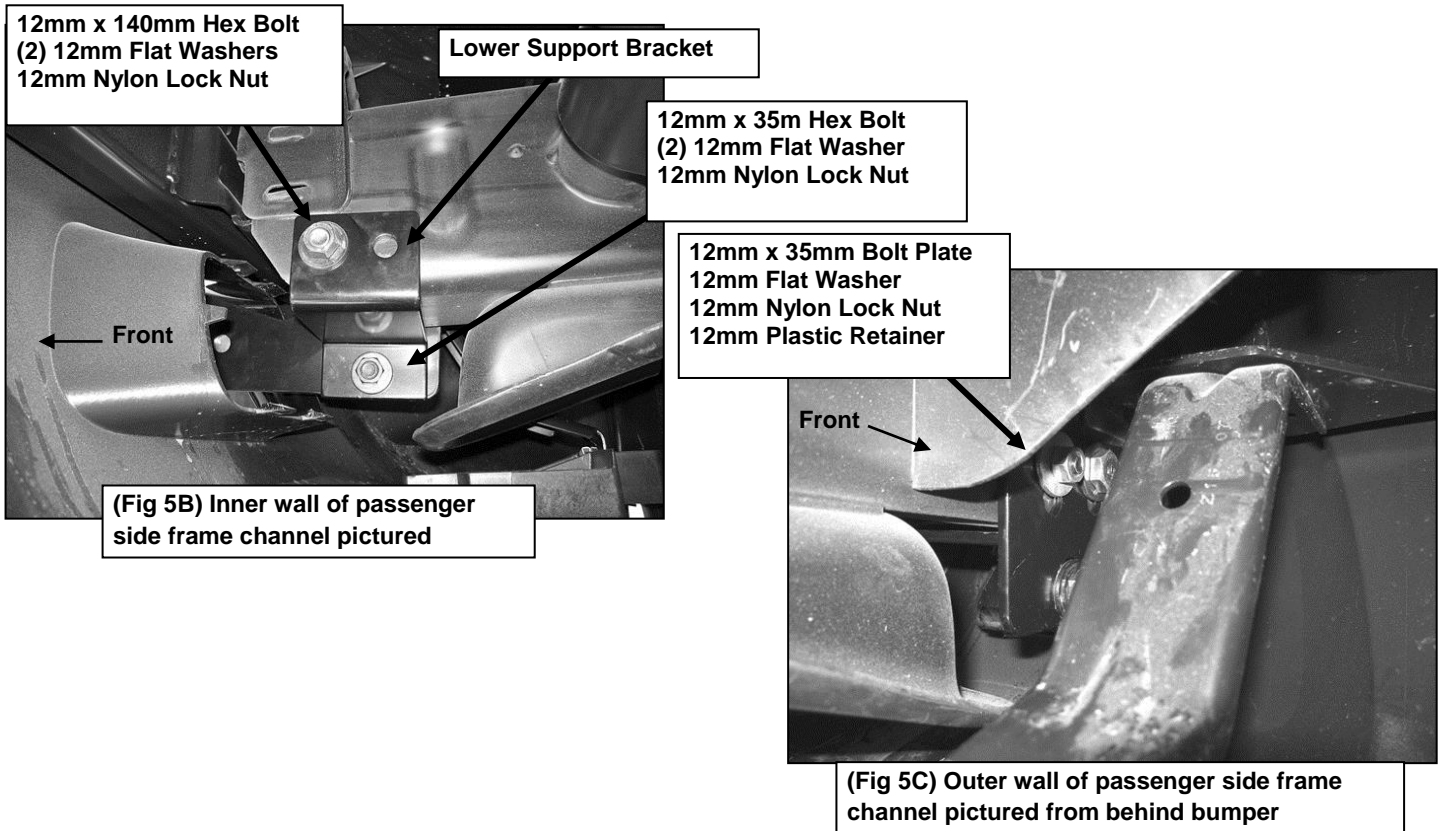
(Fig 4) Bolt Bracket to Bolt Plate

Inner wall of passenger side frame channel
pictured from behind bumper

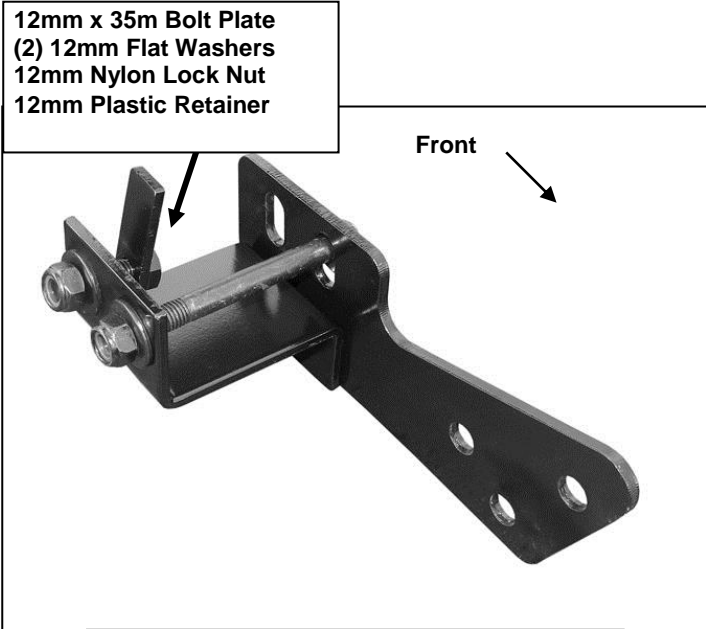
5. Select (1) Lower Support Bracket. Line up the forward hole in the Support Bracket with the hole in the inner wall of the frame channel. Insert (1) 12mm x 140mm Long Hex Bolt and (1) 12mm Flat Washer through the Support Bracket, both sides of the frame channel and out the remaining hole in the Mounting Bracket, **(Figures 5A, 5B & 5C)**. Secure with the included (1) 12mm Flat Washer and (1) 12mm Nylon Lock Nut.
6. Line up the single hole in the bottom of the Support Bracket with the hole in the Mounting Bracket. Bolt the (2) Brackets together with the included (1) 12mm x 30mm Hex Bolt, (2) 12mm Flat Washers and (1) 12mm Nylon Lock Nut, **(Figures 5B & 5D)**. Snug but do not fully tighten hardware at this time.



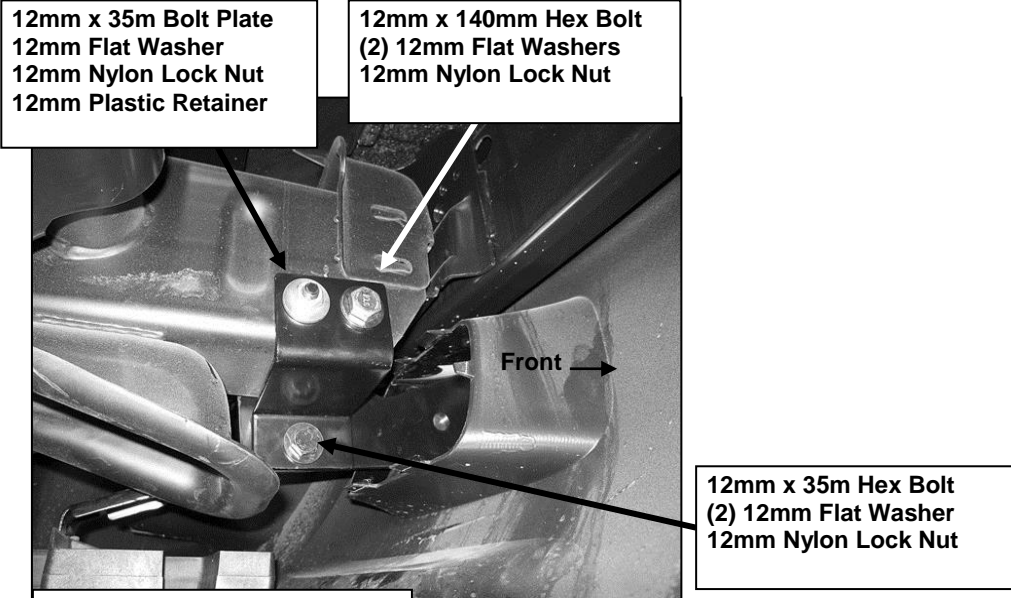
(Fig 5A) Passenger side Bracket assembly



7. Move over to the driver side. Select (1) Lower Support Bracket and slide it over the Bolt Plate described in **Step 3b**, (**Figure 6A**). Secure the Bracket to the Bolt Plate with (1) 12mm Flat Washer and (1) 12mm Nylon Lock Nut. Do not tighten hardware.
8. Select (1) Mounting Bracket and hold it in place over the single hole in the outside of the frame channel. Insert (1) 12mm x 140mm Long Hex Bolt with (1) 12mm Flat Washer through the Mounting Bracket, both sides of the frame channel and through the Support Bracket. Secure with (1) 12mm Flat Washer and (1) 12mm Nylon Lock Nut. Bolt the (2) Brackets together with the included (1) 12mm x 30mm Hex Bolt, (2) 12mm Flat Washers and (1) 12m Nylon Lock Nut as described in **Step 7**, (**Figures 6A & 6B**). Snug but do not fully tighten hardware at this time.

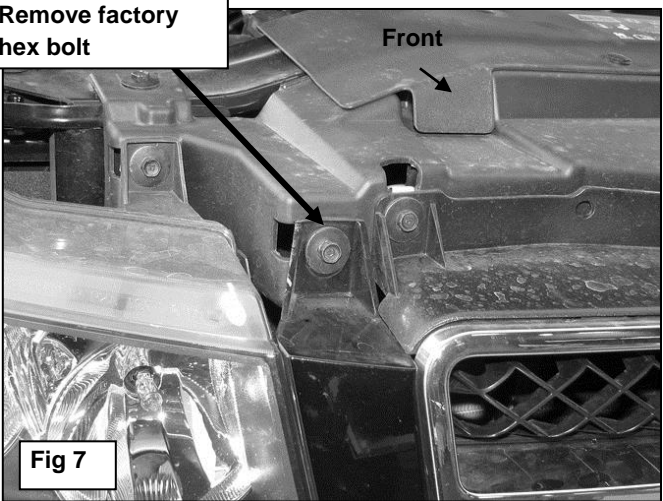


(Fig 6B) Driver side Bracket assembly

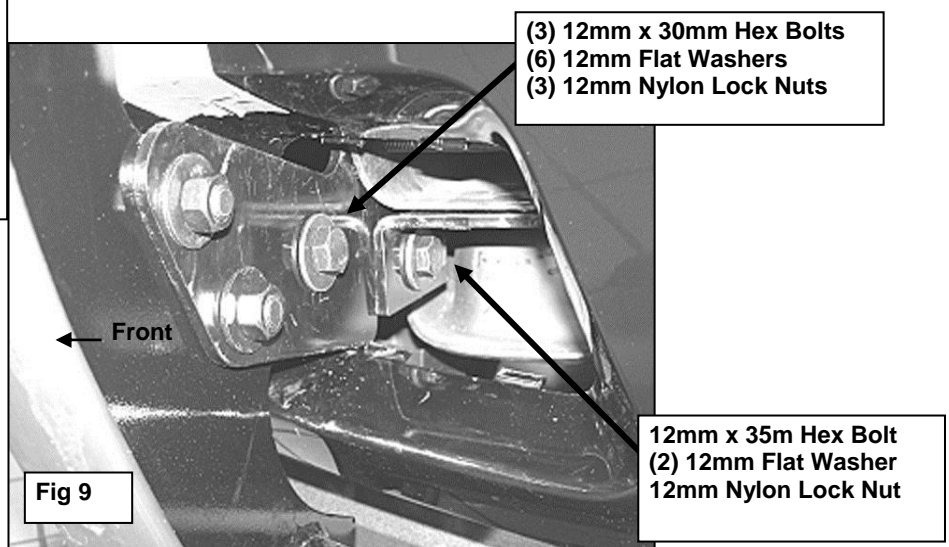
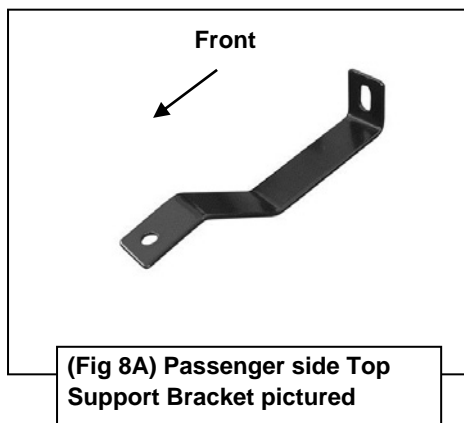
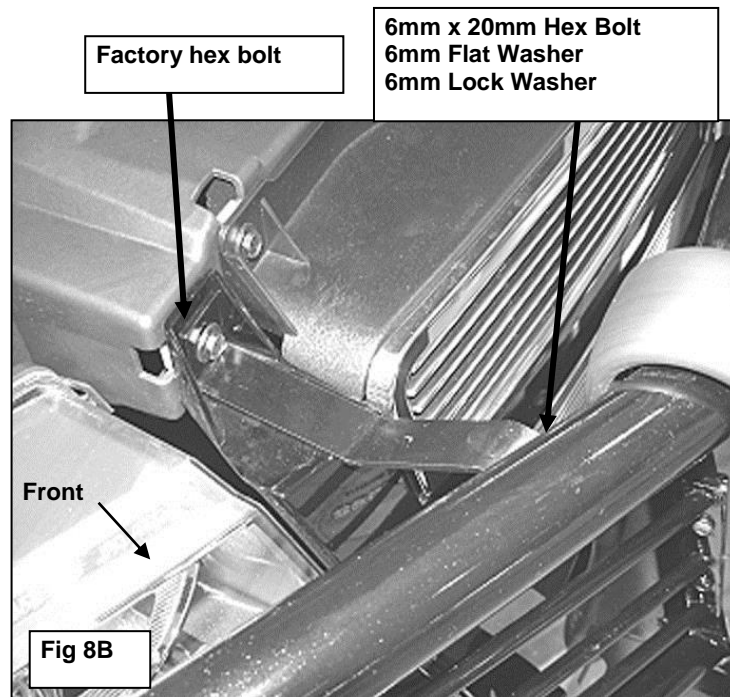


(Fig 6A) Inner wall of driver side frame channel pictured

9. Open the hood and locate the factory hex bolt on the passenger side of the top radiator support, (Figure 7). Remove the factory hex bolt. Select the passenger side Top Support Bracket and line up the hole in the bent end with the mounting hole in the radiator support. Bolt the Support Bracket to the radiator support with the factory hex bolt, (Figure 8A & 8B). Do not tighten at this time. Repeat this step to install the driver side Top Support Bracket.



10. With help, position the Grille Guard onto the outside of the Lower Mounting Brackets. Bolt the Grille Guard to the Mounting Brackets using (6) 12mm x 30mm Hex Bolts, (12) 12mm Flat Washers and (6) 12mm Nylon Lock Nuts, **(Figure 9)**. Tilt the Grille Guard toward the vehicle and line up the (2) Top Support Brackets with the threaded holes in the bottom of the tube on the Grille Guard. Bolt the Brackets to the Grille Guard with the included (2) 6mm x 20mm Button Head Bolts, (2) 6mm Lock Washers and (2) 6mm Flat Washers, **(Figure 8B)**. Do not tighten hardware at this time.
11. Align and adjust the Grille Guard and tighten all hardware. Reinstall the (2) plastic bumper reinforcements removed in **Step 2**.
12. Do periodic inspections to the installation to make sure that all hardware is secure and tight.



PRODUCT CARE

- Periodically check the product to ensure all fasteners are tight and components are intact.
- Regular waxing is recommended to protect the finish of the product.
- **Use ONLY Non-Abrasive automotive wax.** Use of any soap, polish or wax that contains an abrasive is detrimental and can scratch the finish leading to corrosion.
- Aluminum polish may be used to polish small scratches and scuffs for **Stainless Steel finish.**
- Mild soap may be used to clean the product for both **Stainless Steel and Black finish.**

FAQ's

1. Hardware's are not of correct size.

In GMC / Chevrolet truck model 2006 & up, customer needs to reuse the factory body bolts to install the bracket. If your vehicle is not GMC / Chevrolet 2006 & up, please ensure that holes are not partially covered with any plastic grommet or rust? If it is, please remove the plastic grommet & rust from the thread holes & re-try the installation.

2. Mounting Bracket are not getting Installed properly.

In some cases Illustration images shown in Installation manual may not be the exactly same as per actual vehicle images ,also if Driver / Passenger side mounting brackets are very identical in the design, suggest referring Parts Identification guide to avoid fitment issue.

3. Products are thumping / rattling after installation.

Please ensure that all required mounting brackets / hardware's are installed & tighten correctly. Suggest using white lithium / regular grease between the metal to metal contact surfaces.

4. Side Bar is not aligning with vehicle / Step Pads are not aligning with vehicle doors.

Side bar may be interchanged or mounting brackets are not installed at the correct position in the vehicle. Please refer Parts identification guide.

5. Missing / Excess Hardware.

Recheck hardware count as per the part list.

6. Product not installing properly.

Ensure make model year, cab length and bed size of your vehicle is listed in the application. All installation steps are followed correctly.