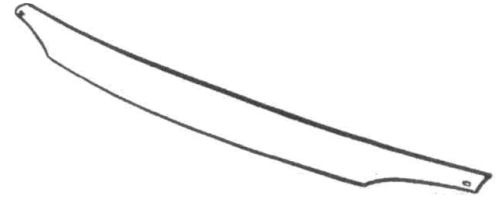




Hood Protector 5120H



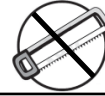
Fit: 2010 - Current Dodge Ram 2500/3500



PHILLIPS SCREW DRIVER REQUIRED FOR INSTALLATION



30-60 min



CUTTING NOT
REQUIRED



DRILLING NOT
REQUIRED



REMOVE CONTENTS FROM BOX. VERIFY ALL PARTS ARE PRESENT.



READ INSTRUCTIONS CAREFULLY BEFORE STARTING INSTALLATION.

Important Safety Information

- **CAUTION - Before driving, ensure that the hood shield is properly secured to vehicle.**
- **Do not use automatic "brush-style" car washes.**
- **Do not use cleaning solvents of any kind.**
- **Periodically check all components for tightness.**

NOTE: Actual product may vary from illustration.

Qty	Description
01	Hood Protector
01	Alcohol Pad

Qty	Description
01	Hardware Kit

Tools Required



Car Wash Supplies



Clean Towel

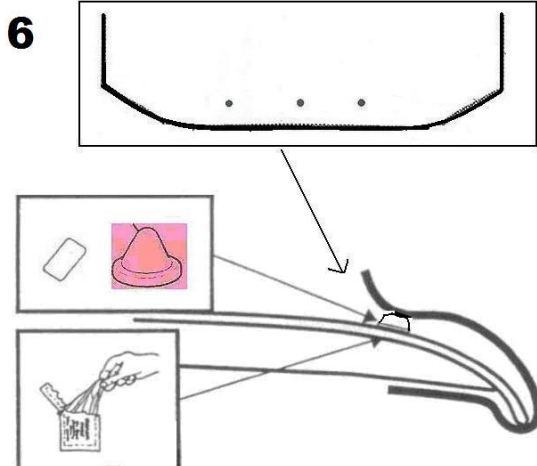
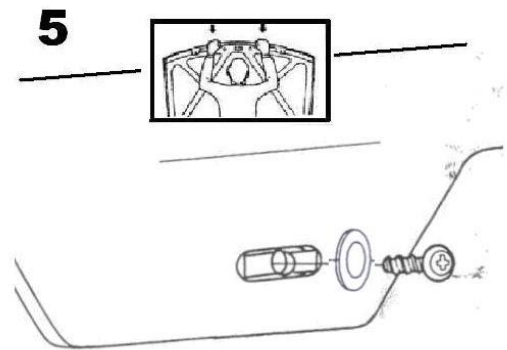
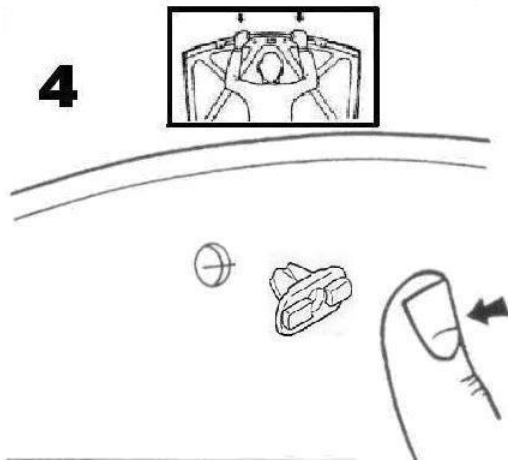
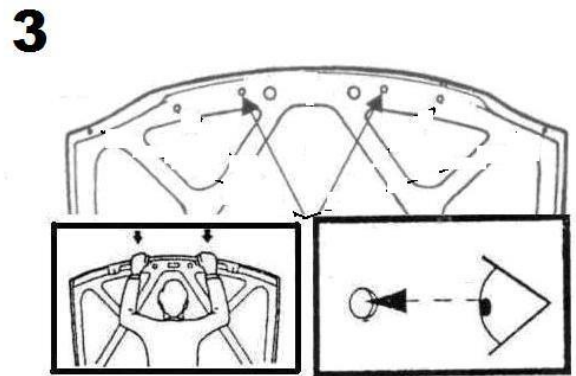
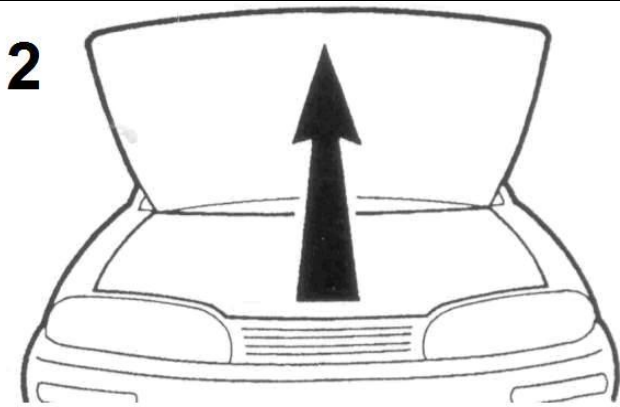
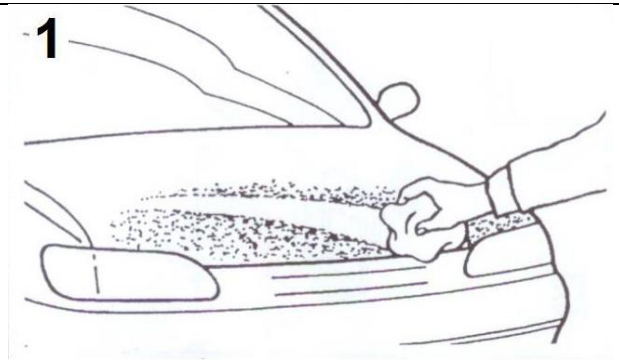
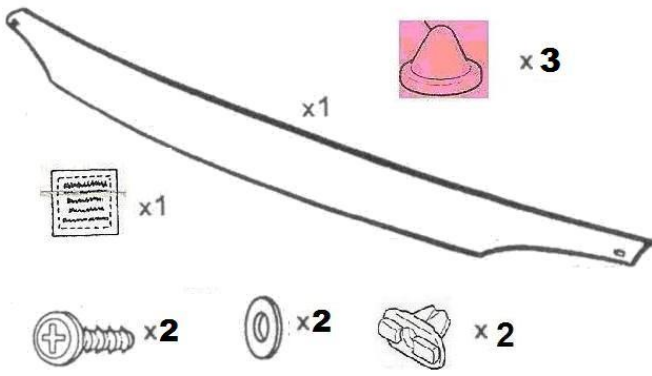


Phillips
screwdriver

Preparation Before Painting / Installation

- *A trial fit is recommended to ensure proper positioning and fit.*
- *Check fit of parts before painting as we will not accept the return of modified or painted parts.*
- *Wash and dry your vehicle to remove any debris and/or dirt from the installation area.*

INSTALLATION STEPS



PRODUCT CARE

- Periodically check the product to ensure all fasteners are tight and components are intact.
- Regular waxing is recommended to protect the finish of the product.
- **Use ONLY Non-Abrasive automotive wax.** Use of any soap, polish or wax that contains an abrasive is detrimental and can scratch the finish leading to corrosion.

FAQ's

1. Mounting Bracket are not getting Installed properly.

In some cases Illustration images shown in Installation manual may not be the exactly same as per actual vehicle images ,also if Driver / Passenger side mounting brackets are very identical in the design, suggest referring Parts Identification guide to avoid fitment issue.

2. Products are thumping / rattling after installation.

Please ensure that all required mounting brackets / hardware's are installed & tighten correctly. Suggest using white lithium / regular grease between the metal to metal contact surfaces.

3. Missing / Excess Hardware.

Recheck hardware count as per the part list.

4. Product not installing properly.

Ensure make model year, cab length and bed size of your vehicle is listed in the application. All installation steps are followed correctly.