



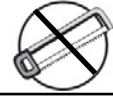
4" Oval Nerf Bar

Part No. 2940413051/3



Fits: 2005 - Current

Nissan Frontier Crew Cab



30-60 min

Cutting Not Required

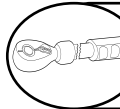
Drilling Not Required



REMOVE CONTENTS FROM BOX. VERIFY ALL PARTS ARE PRESENT.



READ INSTRUCTIONS CAREFULLY BEFORE STARTING INSTALLATION.



DO NOT OVER TORQUE. STANDARD OPERATING LOAD FOR TIGHTEN BODY MOUNT NUTS & BOLTS VARIES FROM 45 TO 65 FOOT POUND.

PARTS LIST:

Qty	Part Description	Qty	Part Description
1 Set	Oval Step Bar	8	M8 Flat Washer
1 Set	Front Bracket	8	M10 Flat Washer
1set	Rear Bracket	8	M10 Lock Washer
8	M8-1.25 Flange Nut	8	M10-1.5 x 30mm Button Head Bolt

DRIVER (LEFT) FRONT	DRIVER (LEFT) REAR	PASSENGER (RIGHT) REAR	PASSENGER (RIGHT) FRONT

INSTALLATION PROCEDURE

- Determine driver side brackets. All driver side brackets are identical with metal cup facing toward the rear of the vehicle (see Fig. 1).
- Install driver side bracket closest to the front wheel first. Use one, M8 flat washer, M8 Flange Nut by attaching to underside of body panel. Hand tightens. Use existing factory hole in body panel for install (see Fig 1).
- Attach remaining driver side brackets to underside body panel by using 2 M8 Flange Nut, M8 flat washers per bracket. Hand tightens. Use existing factory holes in body panel (see Fig. 1).
- Place driver side step bar on brackets. Each step bar is marked driver and passenger.
- Assemble with M10 button head bolts & M10 lock washers. 2 bolts per bracket, 6 bolts per bar (see Fig2). Hand tightens.
- Repeat installation for passenger side.

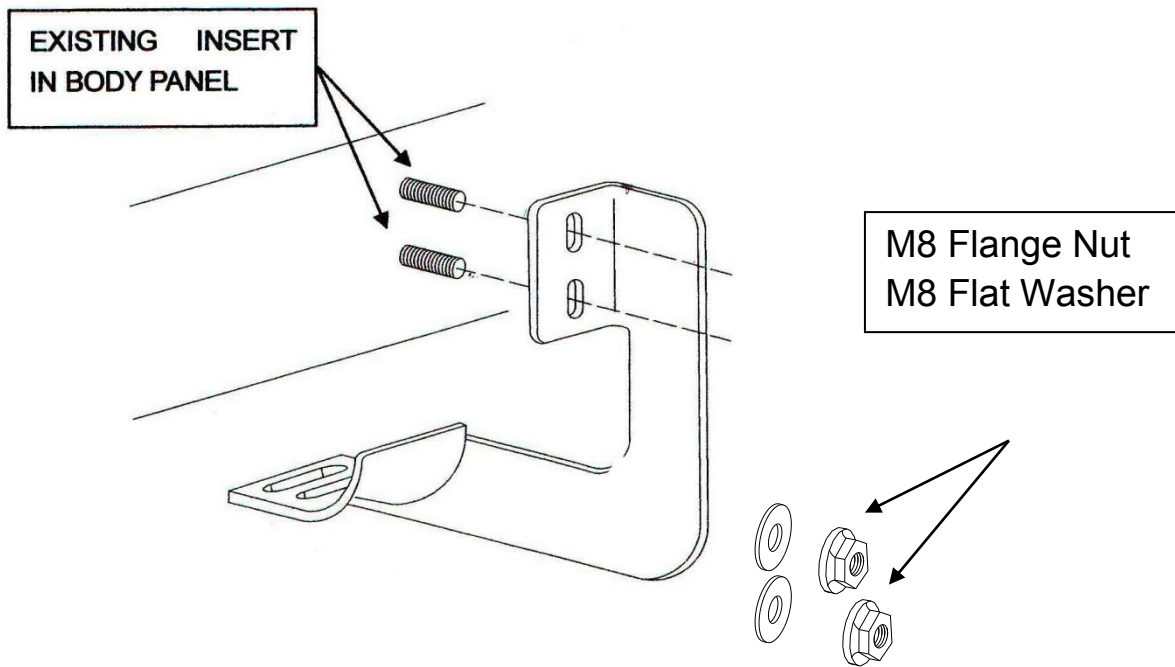


Figure 1. Driver Side – Front & Rear Bracket

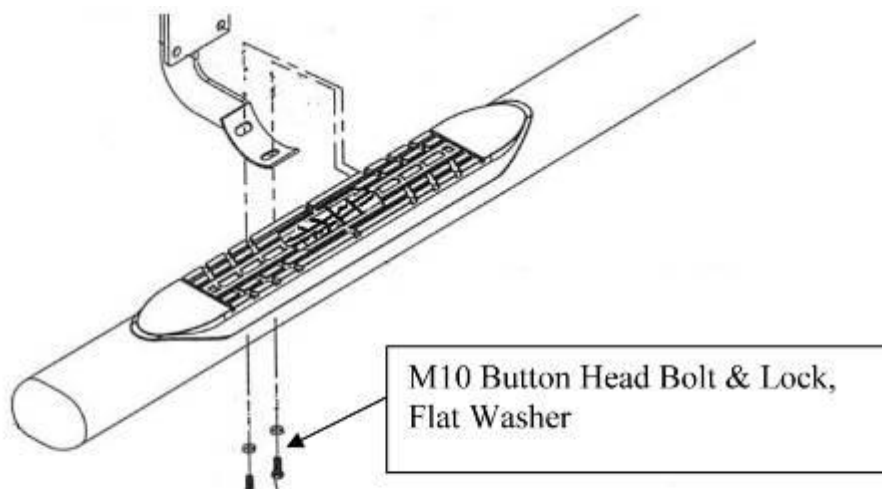


Figure 2. Installation View of Bracket & Bar

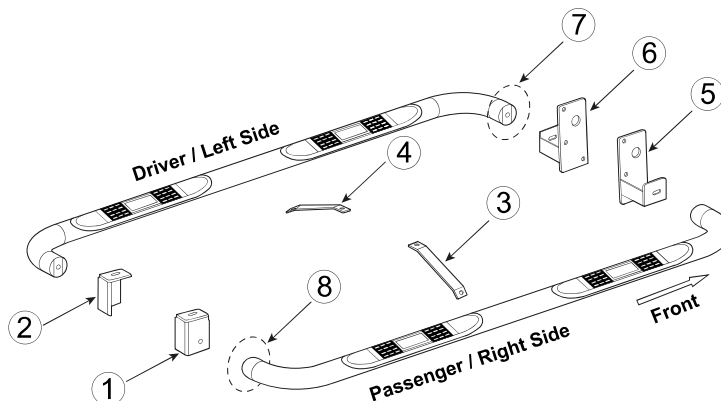
PARTS IDENTIFICATION GUIDE

Driver Side tube taped in "Red" Color. Passenger Side tube taped in "Blue" Color.

No.	Parts Identification
1	Passenger / Right 'Rear' Bracket marked "RR"
2	Driver / Left 'Rear' Bracket marked "RL"
3	Passenger / Right 'Center' Bracket marked "CR"
4	Driver / Left 'Center' Bracket marked "CL"
5	Passenger / Right 'Front' Bracket marked "FR"
6	Driver / Left 'Front' Bracket marked "FL"
7	'Left' marked "L"
8	'Right' marked "R"

Note:

- This guide is to identify the parts and not a reference for part count.
- Product / Bracket image is for representative purpose only.
- Actual design may vary based on application.
- Refer Parts List for Hardware.



PRODUCT CARE

- Periodically check the product to ensure all fasteners are tight and components are intact.
- Regular waxing is recommended to protect the finish of the product.
- **Use ONLY Non-Abrasive automotive wax.** Use of any soap, polish or wax that contains an abrasive is detrimental and can scratch the finish leading to corrosion.
- Aluminum polish may be used to polish small scratches and scuffs for **Stainless Steel finish.**
- Mild soap may be used to clean the product for both **Stainless Steel and Black finish.**

FAQ's

1. Hardware's are not of correct size.

In GMC / Chevrolet truck model 2006 & up, customer needs to reuse the factory body bolts to install the bracket. If your vehicle is not GMC / Chevrolet 2006 & up, ensure that holes are not partially covered with any plastic grommet or rust? If it is, remove the plastic grommet & rust from the thread holes & re-try the installation.

2. Mounting Bracket are not getting Installed properly.

In some cases Illustration images shown in Installation manual may not be the exactly same as per actual vehicle images ,also if Driver / Passenger side mounting brackets are very identical in the design, suggest referring Parts Identification guide to avoid fitment issue.

3. Products are thumping / rattling after installation.

Ensure that all required mounting brackets / hardware's are installed & tighten correctly. Suggest using white lithium / regular grease between the metal to metal contact surfaces.

4. Side Bar is not aligning with vehicle / Step Pads are not aligning with vehicle doors.

Side bar may be interchanged or mounting brackets are not installed at the correct position in the vehicle. Refer Parts identification guide.

5. Missing / Excess Hardware.

Recheck hardware count as per the part list.

6. Product not installing properly.

Ensure make model year, cab length and bed size of your vehicle is listed in the application. All installation steps are followed correctly.