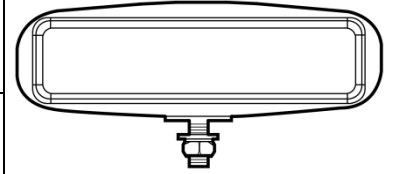




6" LED 18W Work Light



Part No: **2116131, 2116141**



REMOVE CONTENTS FROM BOX. VERIFY ALL PARTS ARE PRESENT.



READ INSTRUCTIONS CAREFULLY BEFORE STARTING INSTALLATION.

120 min

PARTS LIST:

Qty	Part Description	Qty	Part Description
1	Work Light	1	M8 x 19mm Bolt
1	Wiring Harness	1	M8 x 34mm Bolt
1	Switch	2	M8 Hex Nut
1	U Bracket	2	Lock Washer



LIGHT BAR



WIRING HARNESS



SWITCH



MOUNTING KIT

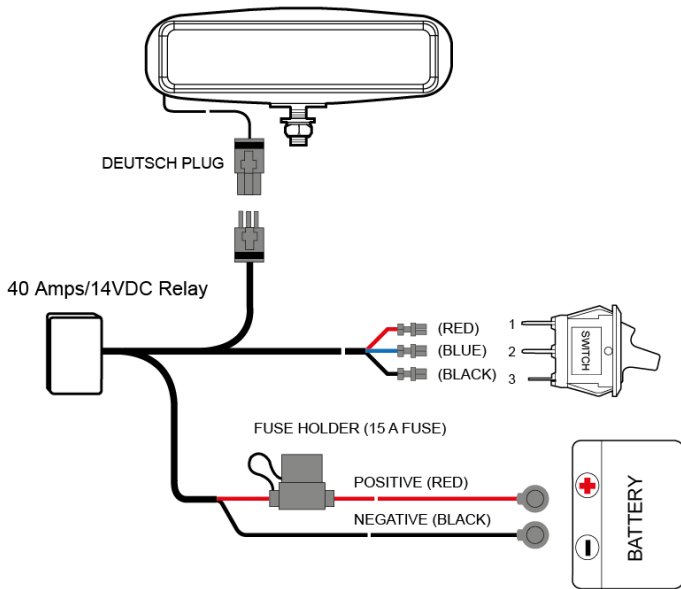
LIGHT INSTALLATION:

1. Identify the desired mounting location for the lights on the vehicle. Place U bracket and mark bracket hole locations on vehicle (If mounting hole requires drilling).
2. If mounting hole requires drilling, drill a 5/16" hole in locations marked.
3. Mount U bracket to vehicle using M8 x 19mm bolt, lock washer, and M8 hex nut.
4. Install work light to U bracket using M8 x 34mm bolt, lock washer, and M8 Hex nut. Once light bar is in desired location tighten all hardware.

WIRING INSTALLATION:

!!! Paired kits will have 2 Deutsch connectors on harness

1. Remove wiring harness and switch from kit.
2. Route wiring harness so that the red and black power cables are routed to the 12V battery, the three switch wires are routed to your desired switch location, and the Deutsch plug(s) is routed to the light. **(Keep wiring away from anything that will get hot).**
3. Mount relay with desired hardware in a position under hood or in cab that is limited to water exposure.
4. Plug male (on the wiring harness) and female (on light) Deutsch plug(s) connectors together.
5. Drill $\frac{3}{4}$ " hole in desired switch mounting location. Verify there will be enough clearance behind switch to plug in the wires. Notch a small slit in the side of the hole using a file. This will keep the switch from turning.
6. Press switch into hole; verify that the notch made in step 5 lines up with the notch on the switch.
7. Plug wires into switch. Prongs on switch will be marked 1 through 3. **Red** wire goes to **prong 1**, **Blue** wire goes to **Prong 2**, and the **Black** wire goes to **prong 3** (gold prong).
8. Attach power cable to the battery. **Red** goes to **positive** and **black** goes to **negative**.



- Do periodic inspections to the installation to make sure that all hardware is secure and tight.
- Never use a caustic or petroleum based cleaner on any surface of the light.
- For best cleaning results, always use household glass cleaner or mild soap with a soft lint free rag.

LIGHT COVERS SOLD SEPARATELY

