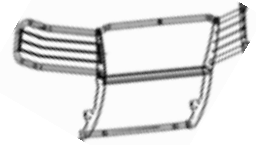




# Grille Guard

Part No. 1530344111/3



Fits: 2011-Current

Ford F250 / F350 Super Duty



60-180 min



CUTTING  
REQUIRED



DRILLING NOT  
REQUIRED



REMOVE CONTENTS FROM BOX. VERIFY ALL PARTS ARE PRESENT.



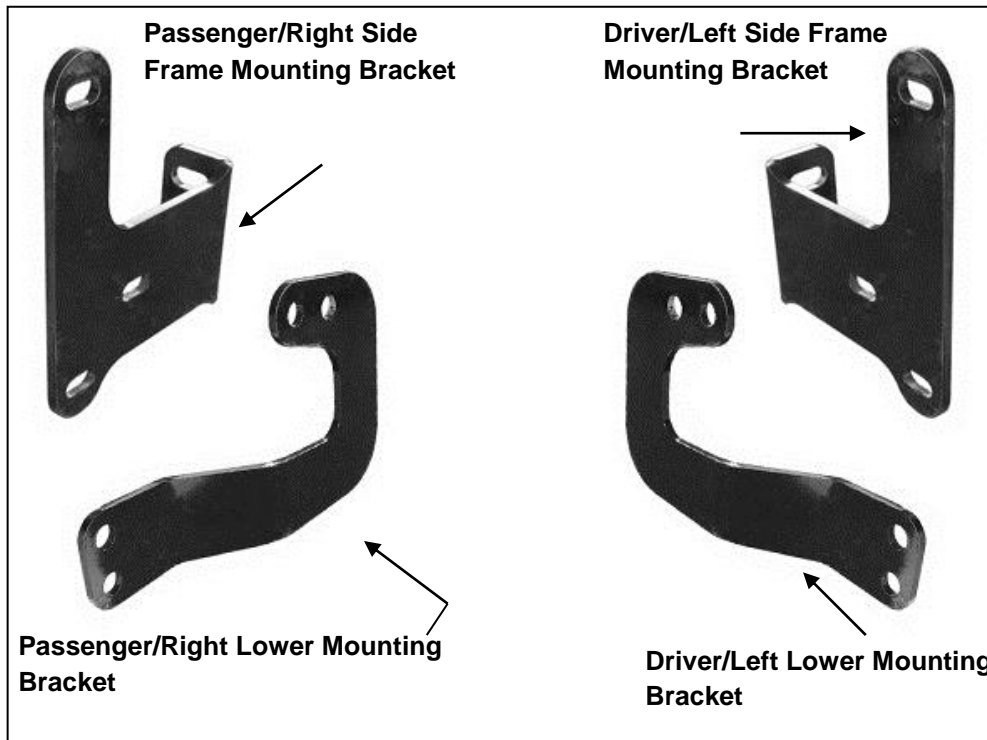
READ INSTRUCTIONS CAREFULLY BEFORE STARTING INSTALLATION.



DO NOT OVER TORQUE. STANDARD OPERATING LOAD FOR TIGHTEN BODY MOUNT NUTS & BOLTS VARIES FROM 45 TO 65 FOOT POUND.

### PARTS LIST:

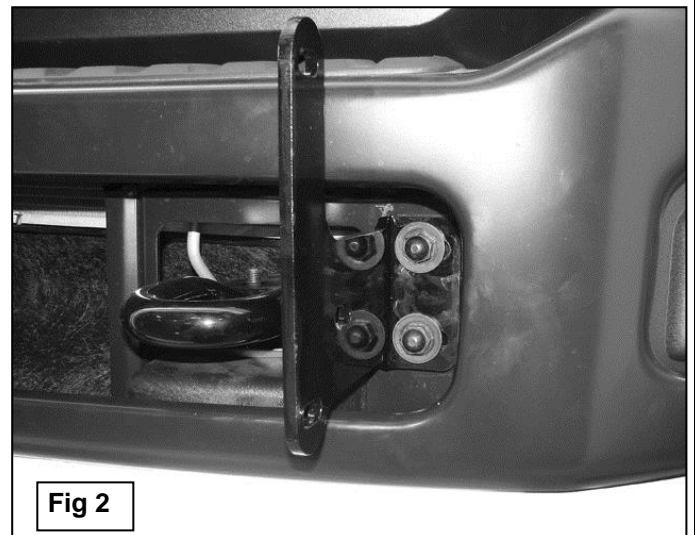
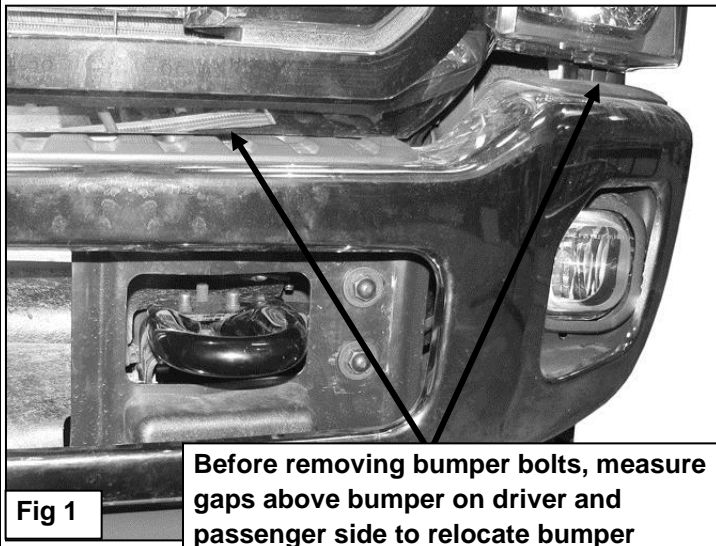
Qty	Part Description	Qty	Part Description
1	Grille Guard	10	12-1.75mm x 35mm Hex Bolts
1	Driver/Left Front Frame Mounting Bracket	12	12mm x 32mm OD x 3mm Flat Washers
1	Passenger/Right Front Frame Mounting Bracket	8	12mm x 24mm x 2.5mm Flat Washers
1	Driver/Left Lower Mounting Bracket	10	12mm Lock Washers
1	Passenger/Right Lower Mounting Bracket	10	12mm Hex Nuts



## INSTALLATION PROCEDURE

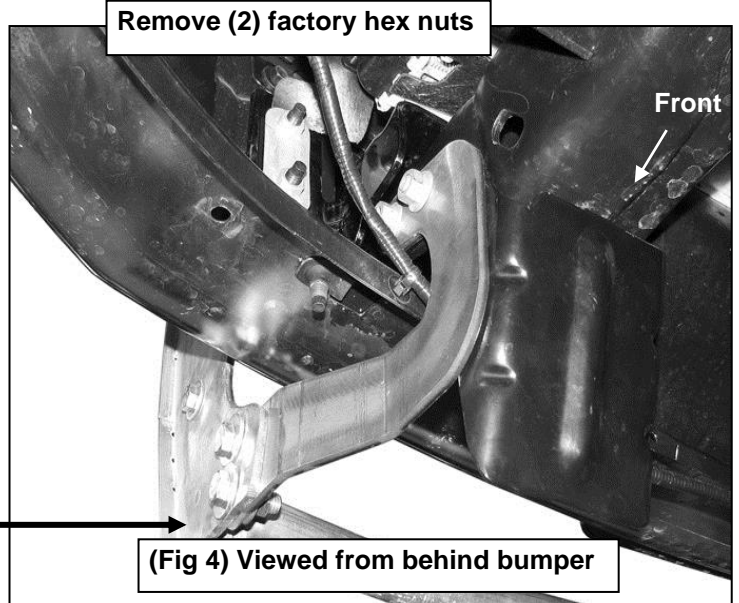
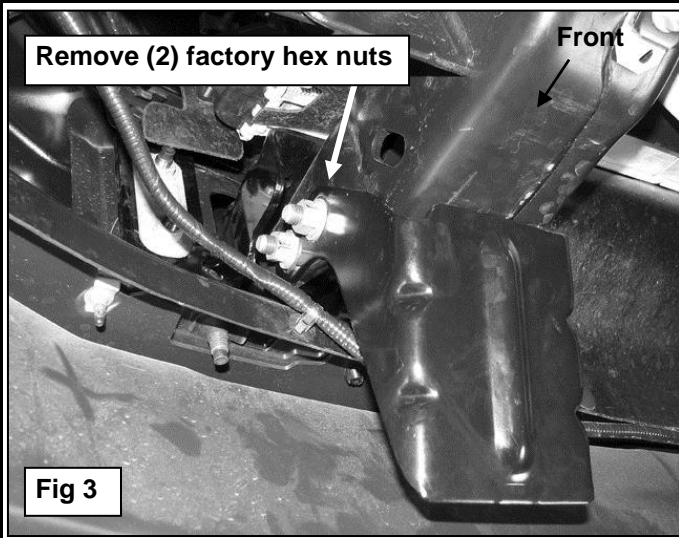
1. Before beginning installation, measure the gap between the headlight assembly and the bumper cover on both sides of the vehicle, **(Figure 1)**. Also note the gap between the grille shell and the bumper cover. Record these measurements as the installation requires removal of the bumper bolts and you will need these measurements to properly readjust the bumper height to its original position.
2. Starting at the front-driver side, remove the (2) factory bumper bolts, **(Figure 1)**. **WARNING!** Do not remove passenger and driver bumper bolts at the same time or the bumper may fall. Only remove and install one Frame Mounting Bracket at a time. **NOTE:** Bumper bolts are held in place by thin metal retaining clips. Discard the clips and remove the bolts.
3. Place the driver side Frame Mounting Bracket onto the vehicle and line it up with the (2) mounting bolt holes, **(Figure 2)**. Make sure there is a minimum of 1/8" clearance between the top and bottom of the Mounting Bracket and the opening in the bumper. Secure the Mounting Bracket to the vehicle using the factory bolts and double nut plate, **(Figure 1)**. Check bumper alignment and tighten these (2) bolts at this time. **NOTE:** It may be necessary to loosen and readjust the bumper once the Grille Guard has been installed.
4. Repeat steps 2 & 3 for passenger side Frame Mounting Bracket installation.
5. Remove the license plate and bracket. Remove the plastic air dam from the bottom of the bumper and place it on a clean, stable work surface. Note the location and type of all factory hardware for reinstallation. **NOTE:** To release the 2-piece plastic clips, pry the center pin up with a small flat blade screwdriver.

### Driver Side Installation Pictured



**WARNING!** Do not remove passenger and driver bumper bolts at the same time or bumper may fall. Only remove and install one Frame Mounting Bracket at a time.

6. Next, from under the driver side of the bumper, remove the (2) factory hex nuts on the outside of the frame channel, **(Figure 3)**. **NOTE:** Do not allow the double bolt plate to fall into the frame channel. Select the driver side Lower Mounting Bracket. Bolt the Mounting Bracket to the factory double bolt plate and secure with the (2) factory hex nuts, **(Figure 4)**. Do not tighten hardware at this time. Repeat this step for passenger side Lower Mounting Bracket installation.
7. Attach the Grille Guard to the Lower Mounting Brackets using the included (4) 12mm x 35mm Hex Bolts, (8) 12mm x 24mm OD STD Flat Washers, (4) 12mm Lock Washers and (4) 12mm Hex Nuts, **(Figure 4)**. Do not tighten hardware at this time.

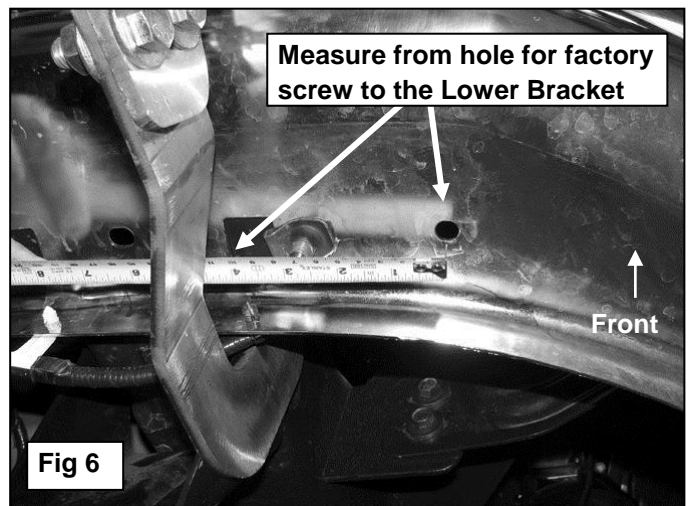


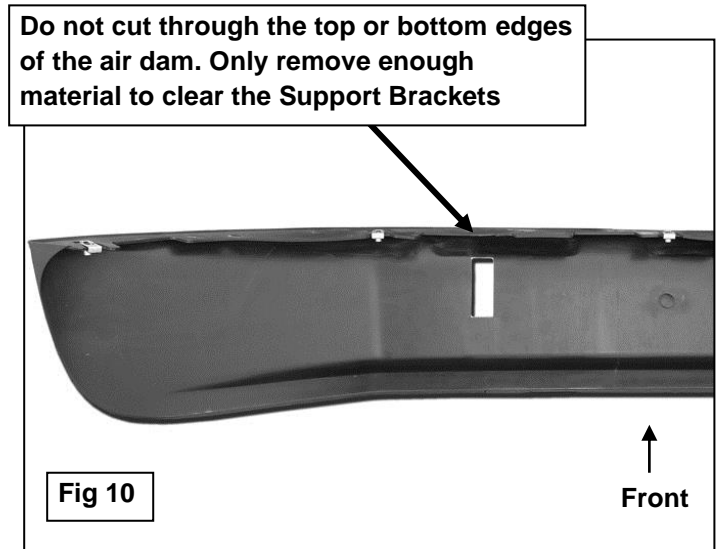
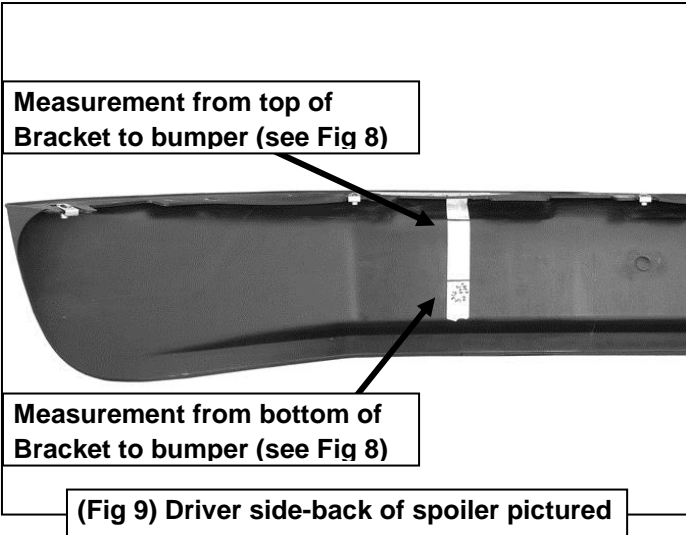
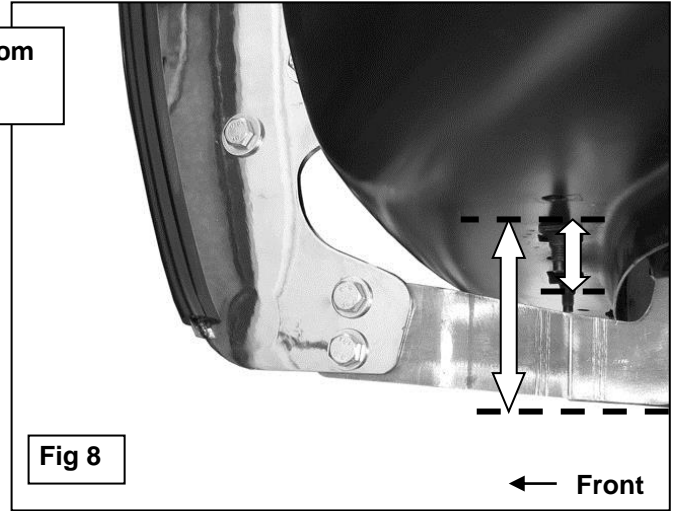
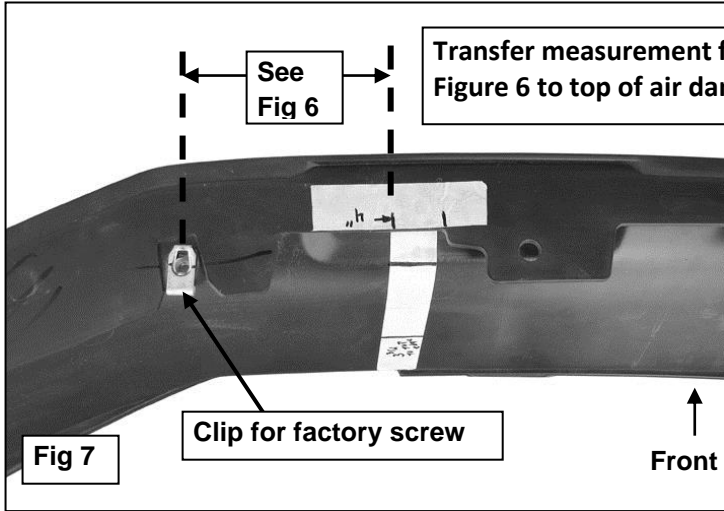
- (2) 12mm x 35mm Hex Bolts
- (4) 12mm 24mm STD OD Flat Washers
- (2) 12mm Lock Washers
- (2) 12mm Hex Nuts

8. With assistance, position the Grille Guard up to the outside of the Frame Mounting Brackets and Support Brackets. Attach the Grille Guard to the Frame Mounting Brackets using the included (6) 12mm x 35mm Hex Bolts, (12) 12mm x 32mm OD Large Flat Washers, (6) 12mm Lock Washers and (6) 12mm Hex Nuts, **(Figure 5)**. Do not tighten hardware at this time.
9. Hold the plastic air dam up in position and mark the location of the Lower Mounting Brackets onto the top of the air dam, **(Figure 6 - 9)**. Measure the location of the Mounting Brackets and transfer these measurements onto the back of the air dam, **(Figure 6 & 8)**. Place the air dam back up to the (2) Lower Mounting Brackets to verify location. Check all measurements on the vehicle. Once absolutely satisfied, use a hacksaw blade or utility knife to carefully cut (2) openings in air dam, **(Figure 10)**. Check fit, trim as necessary and reinstall air dam over Lower Support Brackets with factory hardware. Do not cut through the top of bottom edge of the air dam. **NOTE:** It may be necessary to loosen or remove the Lower Mounting Brackets to reinstall the air dam. Reinstall the license plate and bracket.
10. Level and adjust Grille Guard and bumper, (if necessary), and tighten all hardware at this time.
11. Do periodic inspections to the installation to make sure that all hardware is secure and tight.



- (3) 12mm x 35mm Hex Bolts
- (6) 12mm 32mm Large OD Flat Washers
- (3) 12mm Lock Washers
- (3) 12mm Hex Nuts





## **PRODUCT CARE**

- Periodically check the product to ensure all fasteners are tight and components are intact.
- Regular waxing is recommended to protect the finish of the product.
- **Use ONLY Non-Abrasive automotive wax.** Use of any soap, polish or wax that contains an abrasive is detrimental and can scratch the finish leading to corrosion.
- Aluminum polish may be used to polish small scratches and scuffs for **Stainless Steel finish.**
- Mild soap may be used to clean the product for both **Stainless Steel and Black finish.**

## **FAQ's**

**1. Hardware's are not of correct size.**

*In GMC / Chevrolet truck model 2006 & up, customer needs to reuse the factory body bolts to install the bracket. If your vehicle is not GMC / Chevrolet 2006 & up, please ensure that holes are not partially covered with any plastic grommet or rust? If it is, please remove the plastic grommet & rust from the thread holes & re-try the installation.*

**2. Mounting Bracket are not getting installed properly.**

*In some cases illustration images shown in Installation manual may not be the exactly same as per actual vehicle images ,also if Driver / Passenger side mounting brackets are very identical in the design, suggest referring Parts Identification guide to avoid fitment issue.*

**3. Products are thumping / rattling after installation.**

*Please ensure that all required mounting brackets / hardware's are installed & tighten correctly. Suggest using white lithium / regular grease between the metal to metal contact surfaces.*

**4. Side Bar is not aligning with vehicle / Step Pads are not aligning with vehicle doors.**

*Side bar may be interchanged or mounting brackets are not installed at the correct position in the vehicle. Please refer Parts identification guide.*

**5. Missing / Excess Hardware.**

*Recheck hardware count as per the part list.*

**6. Product not installing properly.**

*Ensure make model year, cab length and bed size of your vehicle is listed in the application. All installation steps are followed correctly.*