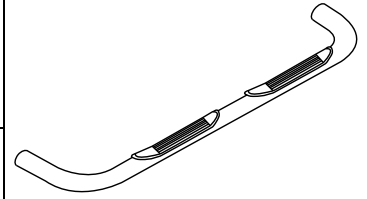




3" Side Bar

Part No. 1140403091/3



Fits: 2008 - 2013
2014 - Current

Nissan Rogue
Nissan Rogue Select



60-180 min

Cutting Not Required

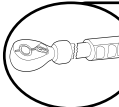
Drilling Not Required



REMOVE CONTENTS FROM BOX. VERIFY ALL PARTS ARE PRESENT.



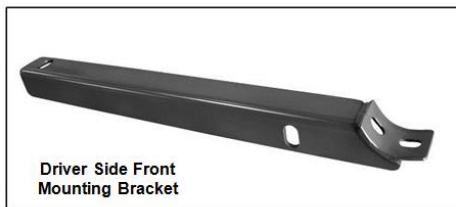
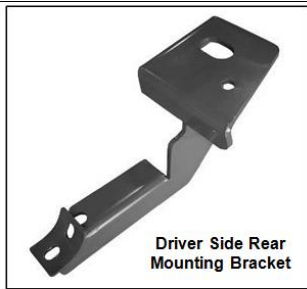
READ INSTRUCTIONS CAREFULLY BEFORE STARTING INSTALLATION.



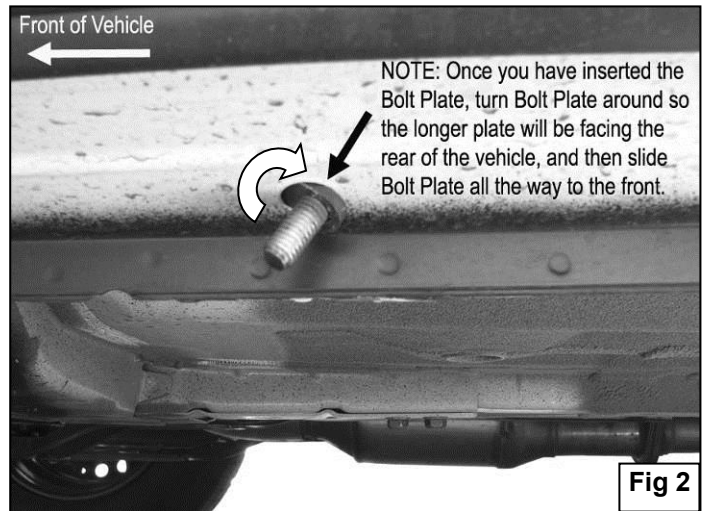
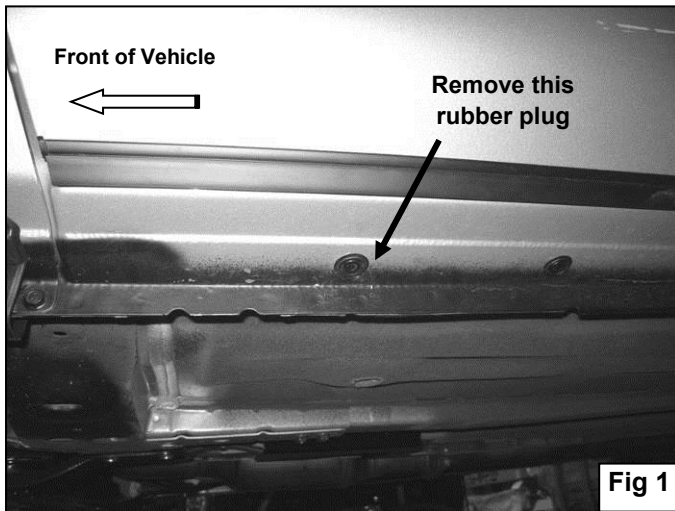
DO NOT OVER TORQUE. STANDARD OPERATING LOAD FOR TIGHTEN BODY MOUNT NUTS & BOLTS VARIES FROM 45 TO 65 FOOT POUND.

PARTS LIST:

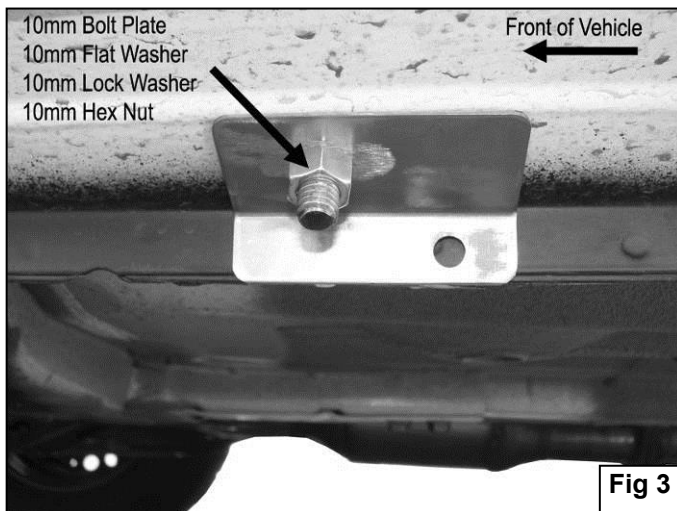
Qty	Part Description	Qty	Part Description
1	Driver/Left Front Mounting Bracket	10	8-1.25mm x 30mm Hex Head Bolts
1	Passenger/Right Front Mounting Bracket	2	8-1.25mm x 20mm Button Head Bolts
1	Driver/Left Rear Mounting Bracket	12	8mm Lock Washers
1	Passenger/Right Rear Mounting Bracket	2	8mm Hex Nuts
1	Driver/Left Front Support Bracket	12	8mm ID x 24mm OD x 2mm Flat Washers
1	Passenger/Right Front Support Bracket	4	10-1.50mm x 35mm Hex Head Bolts
2	Locking Brackets	6	10mm Lock Washers
2	10-1.50mm x 25mm Bolt Plates	4	10mm Hex Nuts
2	12-1.75mm x 35mm Bolt Plates with Nut10MM	8	10mm ID x 26mm OD x 3mm Flat Washers
2	13mm ID x 43mm OD x 4mm Fender Washers	2	12mm Lock Washers
		2	12mm Hex Nuts



1. Remove the front rubber plug in the bottom of the vehicle's body (**Figure 1**). Insert (1) 10mm x 20mm Bolt Plate with the metal plate facing the front of the vehicle, once inserted turn Bolt Plate around so the longer Metal Plate is facing the rear of the vehicle, and then push Bolt Plate towards the front of the vehicle to fully engage (**Figure 2**).



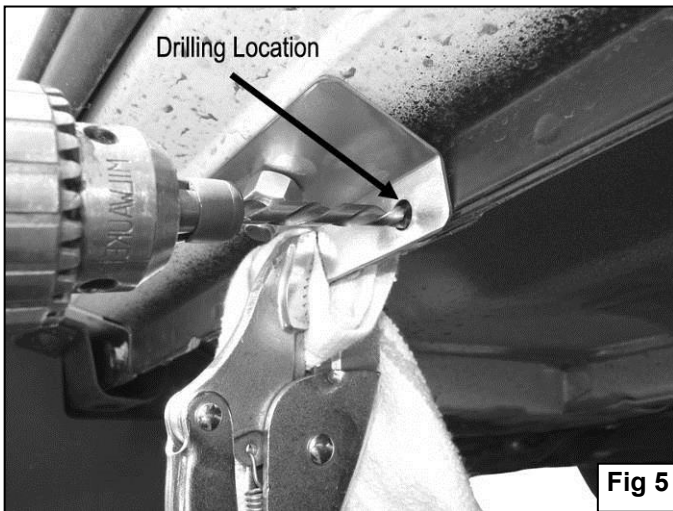
2. Position driver side Locking Bracket over already inserted Bolt Plate then push Locking Bracket all the way to the front of the vehicle and secure it using the included (1) 10mm Flat Washer, (1) 10mm Lock Washer, and (1) 10mm Hex Nut (**Figure 3**).



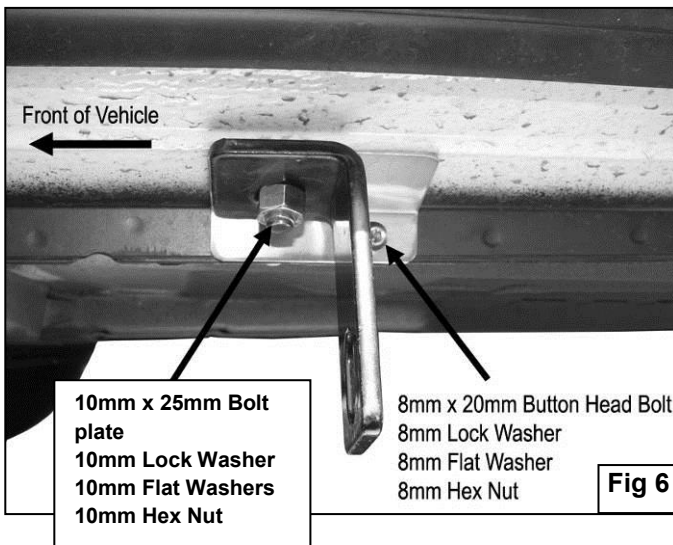
3. Once the Locking Bracket is all the way to the front of the vehicle, use a pair of vice grips to hold Locking Bracket in place when drilling (**Figure 4**). **NOTE:** Use a cloth to protect the finish of the Locking Bracket.



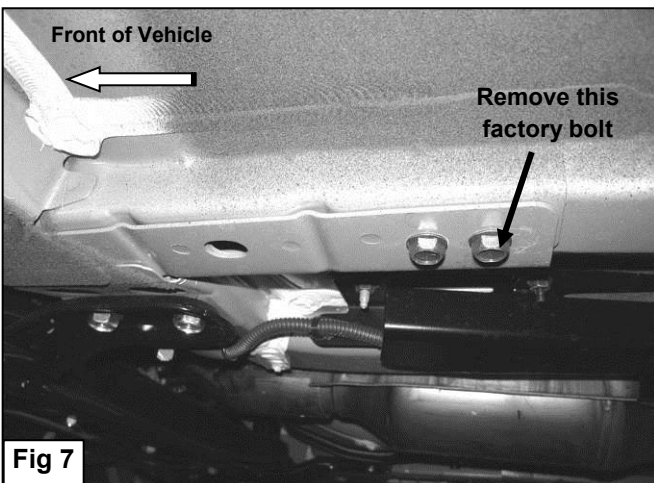
4. Use the hole in the Locking Bracket as a template to drill a 5/16" hole in the pinch weld (**Figure 5**). **IMPORTANT:** Any cutting or drilling tool may break or shatter. Government regulations require safety glasses & equipment at all times when cutting or drilling.



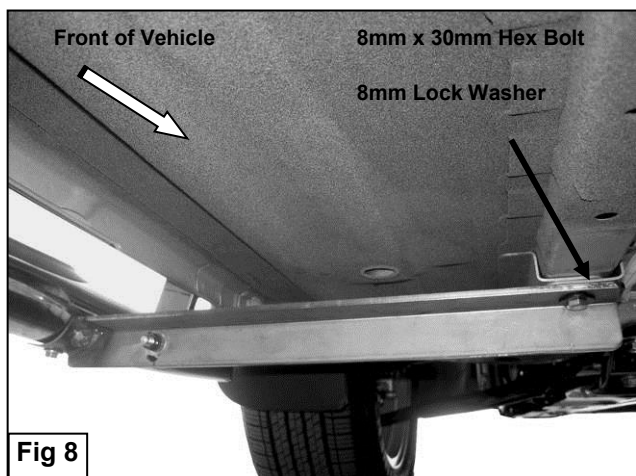
5. Secure the Locking Bracket to pinch weld using the included (1) 8mm x 20mm Button Head Bolt, (1) 8mm Locking Washer, (1) 8mm Flat Washer, and (1) 8mm Hex Nut. Fully tighten at this time.
6. Loosely attach driver side Support Bracket over Locking Bracket and to already inserted Bolt Plate using the included (1) 10mm Lock Washer, (1) 10mm Flat Washer, and (1) 10mm Hex Nut (**Figure 6**).



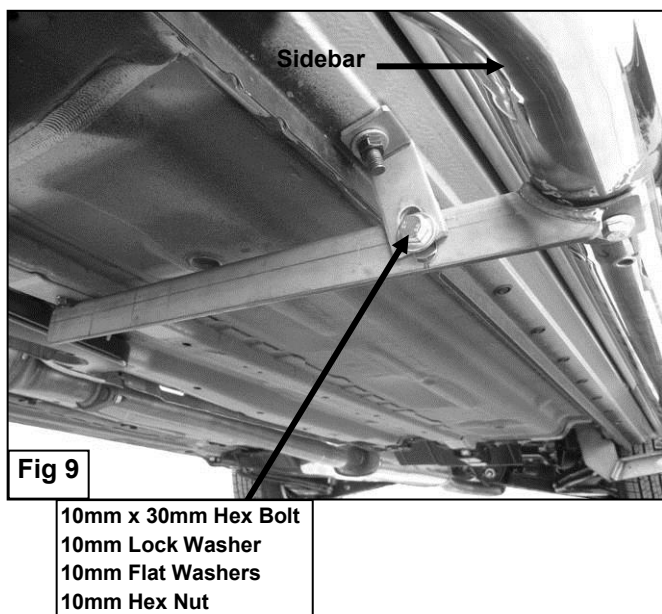
7. Locate the two factory bolts in the front of frame rail, and then remove the one towards the rear of the vehicle (**Figure 7**).



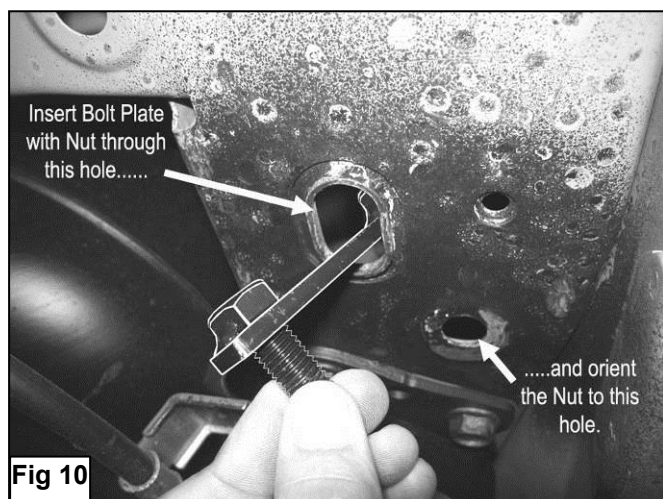
8. Partially attach the driver side front Mounting Bracket to the existing rear factory bolt location using the included (1) 8mm x 30mm Hex Head Bolt (this replaces the factory bolt removed in step eight), (1) 8mm Lock Washer, and (1) 8mm Flat Washer (**Figure 8**).



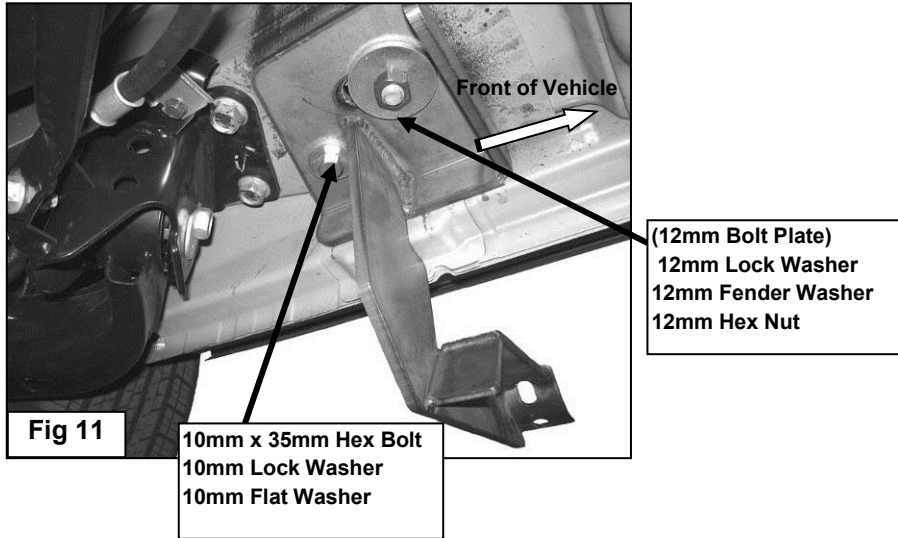
9. Attach the driver side front Mounting Bracket to Support Bracket using the included (1) 10mm x 30mm Hex Head Bolt, (1) 10mm Lock Washer, (1) 10mm Hex Nut, and (2) 10mm Flat Washers. Do not tighten at this time (**Figure 9**).



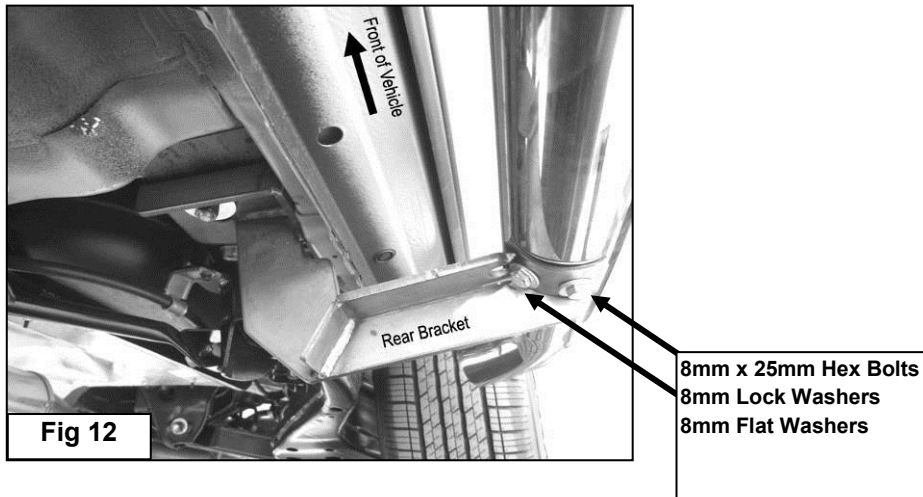
10. There are three factory holes in the rear floor panel, one oval and two rounds. Insert (1) Bolt Plate with Nut through slotted factory hole and orient it so Nut lines up with larger round hole (**Figure 10**).



11. Partially attach driver side rear Mounting Bracket to already inserted Bolt Plate using the included (1) 12mm Lock Washer, (1) 12mm Fender Washer, (1) 12mm Hex Nut and attach Bracket to Nut using the included (1) 10mm x 35mm Hex Head Bolt, (1) 10mm Lock Washer, and (1) 10mm Flat Washer (**Figure 11**).



12. Position driver Sidebar onto Mounting Brackets and attach it using the included (4) 8mm x 25mm Hex Head Bolts, (4) 8mm Lock Washers, and (4) 8mm Flat Washers (**Figure 12**). Do not tighten at this time.



13. Adjust Sidebar properly, and then tighten all hardware at this time.

14. Repeat steps 1 – 13 for passenger Sidebar.

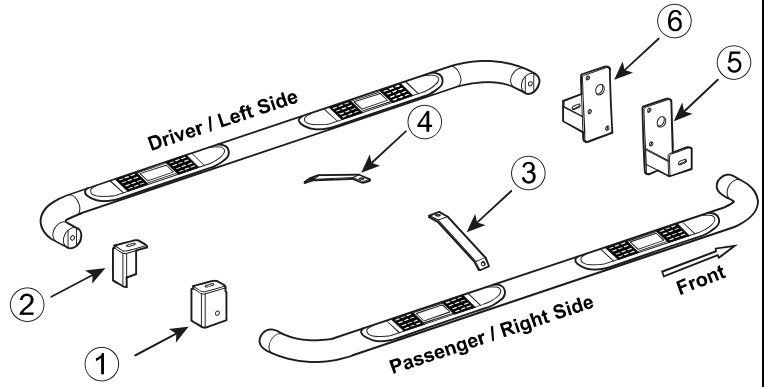
PARTS IDENTIFICATION GUIDE

Driver Side tube packed using "Green" color foam sheet. Passenger Side tube packed using "White" color foam sheet

No.	Parts Identification
1	Passenger / Right 'Rear' Bracket marked "PR"
2	Driver / Left 'Rear' Bracket marked "DR"
3	Passenger / Right 'Center' Bracket marked "PC"
4	Driver / Left 'Center' Bracket marked "DC"
5	Passenger / Right 'Front' Bracket marked "PF"
6	Driver / Left 'Front' Bracket marked "DF"

Note:

- > This guide is to identify the parts and not a reference for part count.
- > For part count, refer Parts List.
- > Product / Bracket image is representative and actual design may vary.



PRODUCT CARE

- Periodically check the product to ensure all fasteners are tight and components are intact.
- Regular waxing is recommended to protect the finish of the product.
- **Use ONLY Non-Abrasive automotive wax.** Use of any soap, polish or wax that contains an abrasive is detrimental and can scratch the finish leading to corrosion.
- Aluminum polish may be used to polish small scratches and scuffs for **Stainless Steel finish.**
- Mild soap may be used to clean the product for both **Stainless Steel and Black finish.**

FAQ's

1. Hardware's are not of correct size.

In GMC / Chevrolet truck model 2006 & up, customer needs to reuse the factory body bolts to install the bracket. If your vehicle is not GMC / Chevrolet 2006 & up, ensure that holes are not partially covered with any plastic grommet or rust? If it is, remove the plastic grommet & rust from the thread holes & re-try the installation.

2. Mounting Bracket are not getting Installed properly.

In some cases Illustration images shown in Installation manual may not be the exactly same as per actual vehicle images ,also if Driver / Passenger side mounting brackets are very identical in the design, suggest referring Parts Identification guide to avoid fitment issue.

3. Products are thumping / rattling after installation.

Ensure that all required mounting brackets / hardware's are installed & tighten correctly. Suggest using white lithium / regular grease between the metal to metal contact surfaces.

4. Side Bar is not aligning with vehicle / Step Pads are not aligning with vehicle doors.

Side bar may be interchanged or mounting brackets are not installed at the correct position in the vehicle. Refer Parts identification guide.

5. Missing / Excess Hardware.

Recheck hardware count as per the part list.

6. Product not installing properly.

Ensure make model year, cab length and bed size of your vehicle is listed in the application. All installation steps are followed correctly.